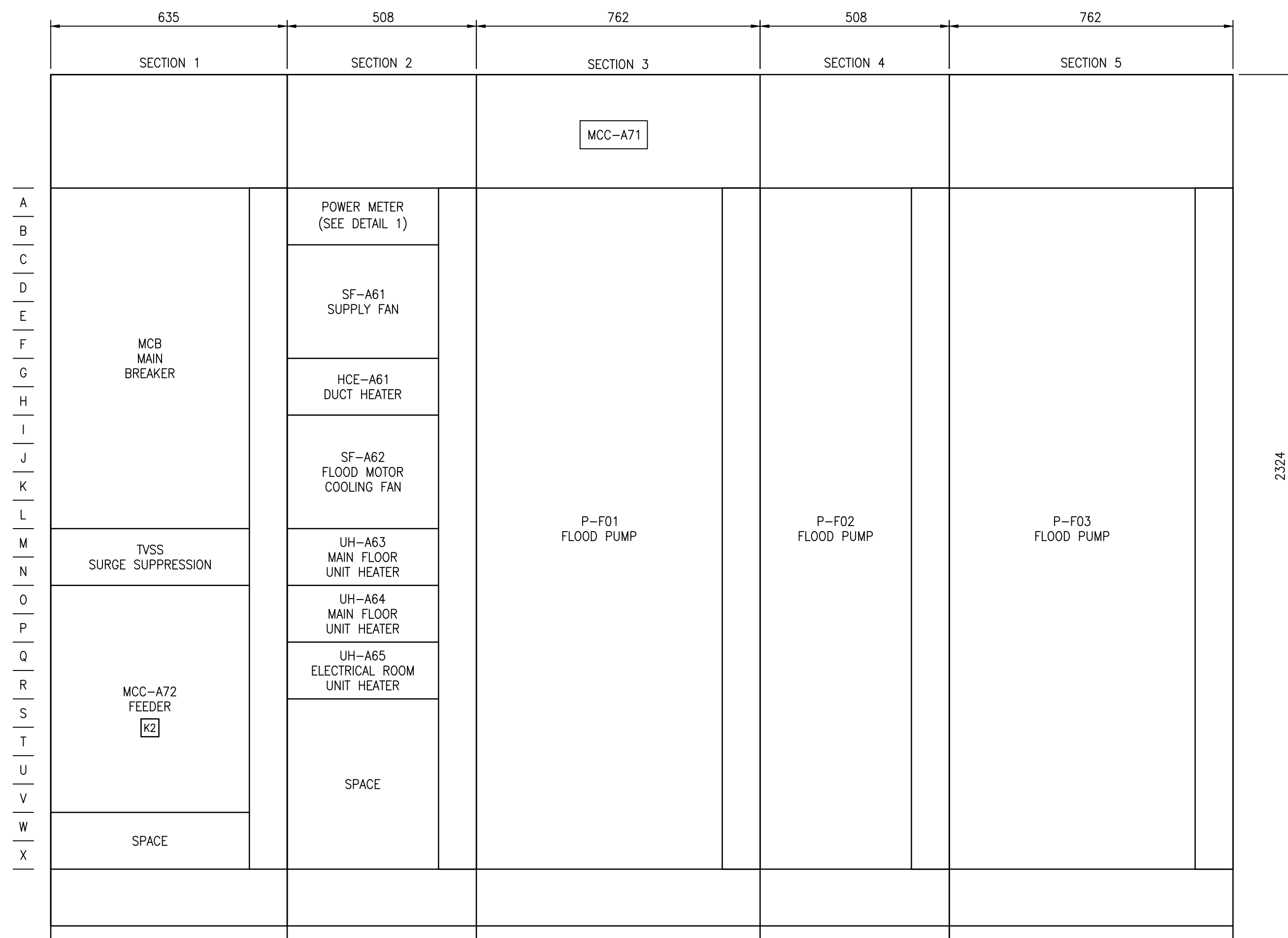


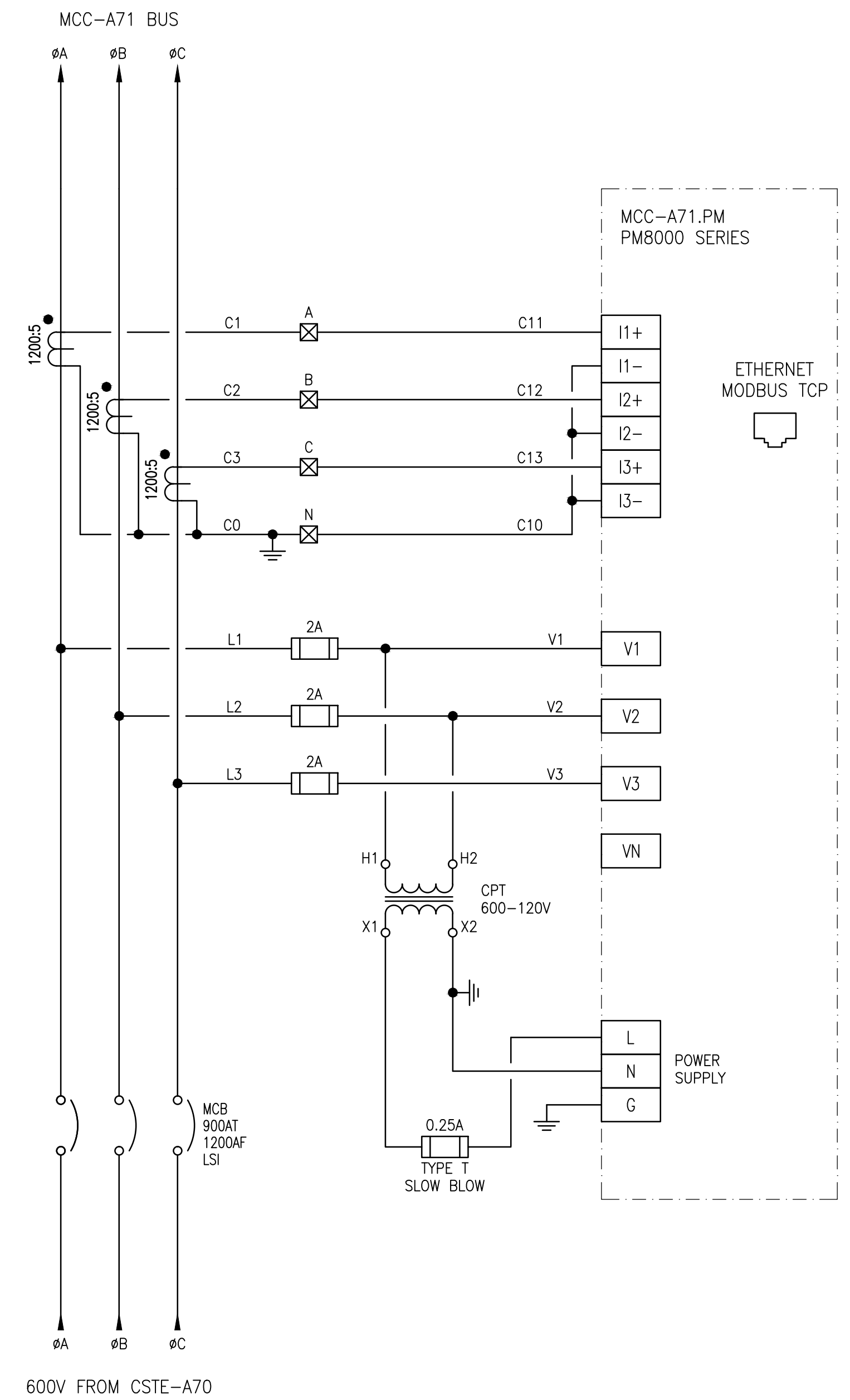
MCC REQUIREMENTS:

IDENTIFIER: MCC-A71		
ENCLOSURE TYPE: NEMA 1A	MOUNTING: FRONT	DEPTH: 508mm
SUPPLY VOLTAGE: 600V, 3 ϕ , 3W, 60HZ	INCOMING NEUTRAL TERMINATION: NO	
CONTROL VOLTAGE: 120V, 60HZ	WIRING: CLASS I, TYPE Bd OR Bt AS SHOWN ON THE DRAWINGS	
MINIMUM BUS RATING:	HORIZONTAL: 1200A	VERTICAL: AS REQ'D
SUITABLE FOR SERVICE ENTRANCE: NOT REQUIRED	NEUTRAL BUS: NO	
BUS BRACING: 42kA	SCCR: 25 kA MINIMUM	SERIES SCCR PERMITTED: NO
BUS MATERIAL: TIN PLATED COPPER		
MANUFACTURER: SCHNEIDER ELECTRIC	MODEL: MODEL 6	

LEGEND:	
	CT SHORTING BLOCK TERMINAL
	KIRK KEY INTERLOCK



MCC-A71 ELEVATION
 SCALE: 1:8



DETAIL 1: MCC-A71 POWER METER
 SCALE: NTS

1-0127A-E0002	SINGLE LINE DIAGRAM
DRAWING NUMBER	REFERENCE DRAWINGS



00	ISSUED FOR TENDER, BID OP. 331-2016	2016/05/06	BJC	DB
NO.	REVISIONS	DATE	DESIGN	CHECK

 SNC-LAVALIN INC. 148 Nature Park Way Winnipeg, MB, Canada R3P 0X7 204-798-8080	
DESIGNED BY: B. CLEVEN	CHECKED BY: D. BECKER
DRAWN BY: Y. KONIG	APPROVED BY: I. PARKINSON
SCALE: AS SHOWN	ISSUED FOR CONSTRUCTION BY: K. ZUREK
DATE: 2016/02/02	DATE: 2016/05/06
CONSULTANT NO.:	

ENGINEER'S SEAL
 ORIGINAL DRAWING
 SEALED BY:
 B. CLEVEN
 SNC-LAVALIN
 MEMBER #31479
 2016/05/09
 REV. 00

 THE CITY OF WINNIPEG WATER AND WASTE DEPARTMENT	
COCKBURN FLOOD AND WASTEWATER PUMPING STATION 2016 UPGRADES MCC ELEVATION AND DETAILS MCC-A71	
CITY DRAWING NUMBER 1-0127A-E0011	SHEET REV. SIZE 001 00 A1