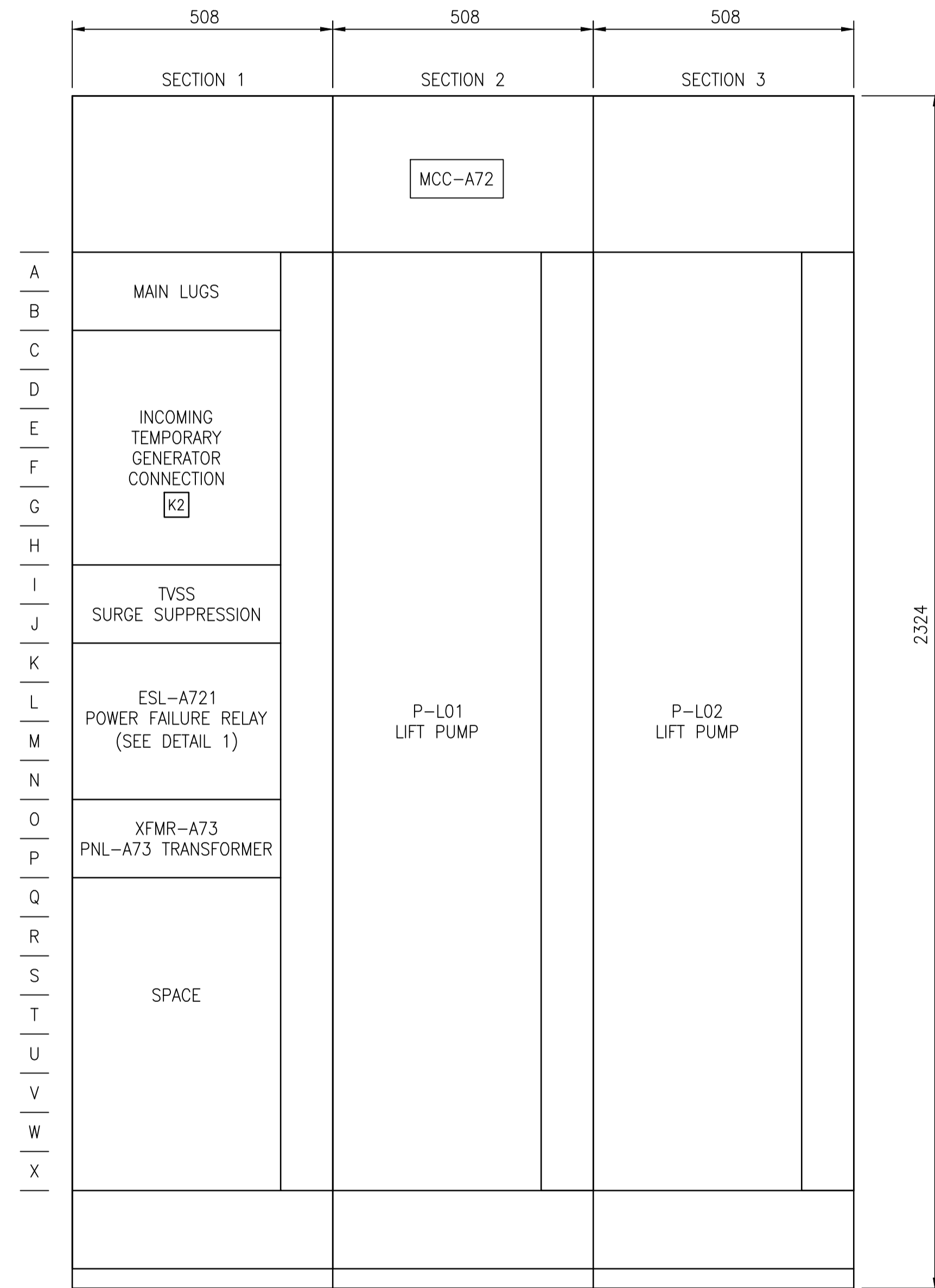


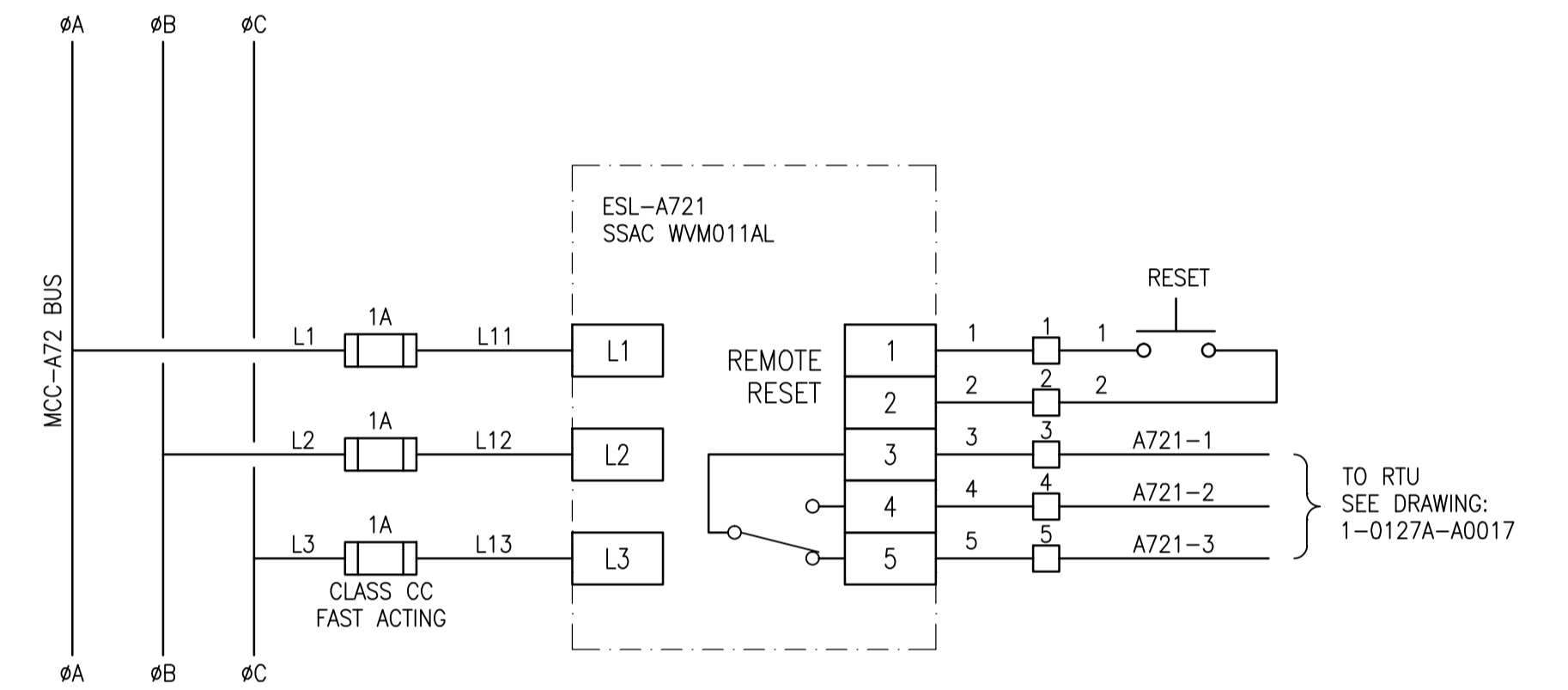
MCC REQUIREMENTS:

IDENTIFIER: MCC-A72		
ENCLOSURE TYPE: NEMA 1A	MOUNTING: FRONT	DEPTH: 508mm
SUPPLY VOLTAGE: 600V, 3 ϕ , 3W, 60HZ		INCOMING NEUTRAL TERMINATION: NO
CONTROL VOLTAGE: 120V, 60HZ	WIRING: CLASS I, TYPE B ϕ OR B ϕ AS SHOWN ON THE DRAWINGS	
MINIMUM BUS RATING:	HORIZONTAL: 600A	VERTICAL: AS REQ'D
SUITABLE FOR SERVICE ENTRANCE: NOT REQUIRED		NEUTRAL BUS: NO
BUS BRACING: 42kA	SCCR: 25kA MINIMUM	SERIES SCCR PERMITTED: NO
BUS MATERIAL: TIN PLATED COPPER		
MANUFACTURER: SCHNEIDER ELECTRIC	MODEL: MODEL 6	

LEGEND:	
K2	KIRK KEY INTERLOCK



MCC-A72 ELEVATION
SCALE: 1 : 8



DETAIL 1: ESL-A721 POWER FAILURE RELAY
SCALE: NTS

1-0127A-E0002	SINGLE LINE DIAGRAM
DRAWING NUMBER	REFERENCE DRAWINGS



00	ISSUED FOR TENDER, BID OP. 331-2016	2016/05/06	BJC	DB
NO.	REVISIONS	DATE	DESIGN	CHECK

SNC-LAVALIN INC.
148 Nature Park Way
Winnipeg, MB, Canada R3P 0X7
204-786-8080

DESIGNED BY: B. CLEVEN
DRAWN BY: Y. KONIG
SCALE: AS SHOWN
DATE: 2016/03/18

CHECKED BY: D. BECKER
APPROVED BY: I. PARKINSON
ISSUED FOR CONSTRUCTION BY: K. ZUREK
DATE: 2016/05/06

CONSULTANT NO.:

ENGINEER'S SEAL

ORIGINAL DRAWING
SEALED BY:
B. CLEVEN
SNC-LAVALIN
MEMBER #31479
2016/05/09
REV. 00

THE CITY OF WINNIPEG
WATER AND WASTE DEPARTMENT

COCKBURN FLOOD AND WASTEWATER PUMPING STATION
2016 UPGRADES
MCC ELEVATION AND DETAILS
MCC-A72

CITY DRAWING NUMBER: 1-0127A-E0012
SHEET: 001
REV.: 00
SIZE: A1