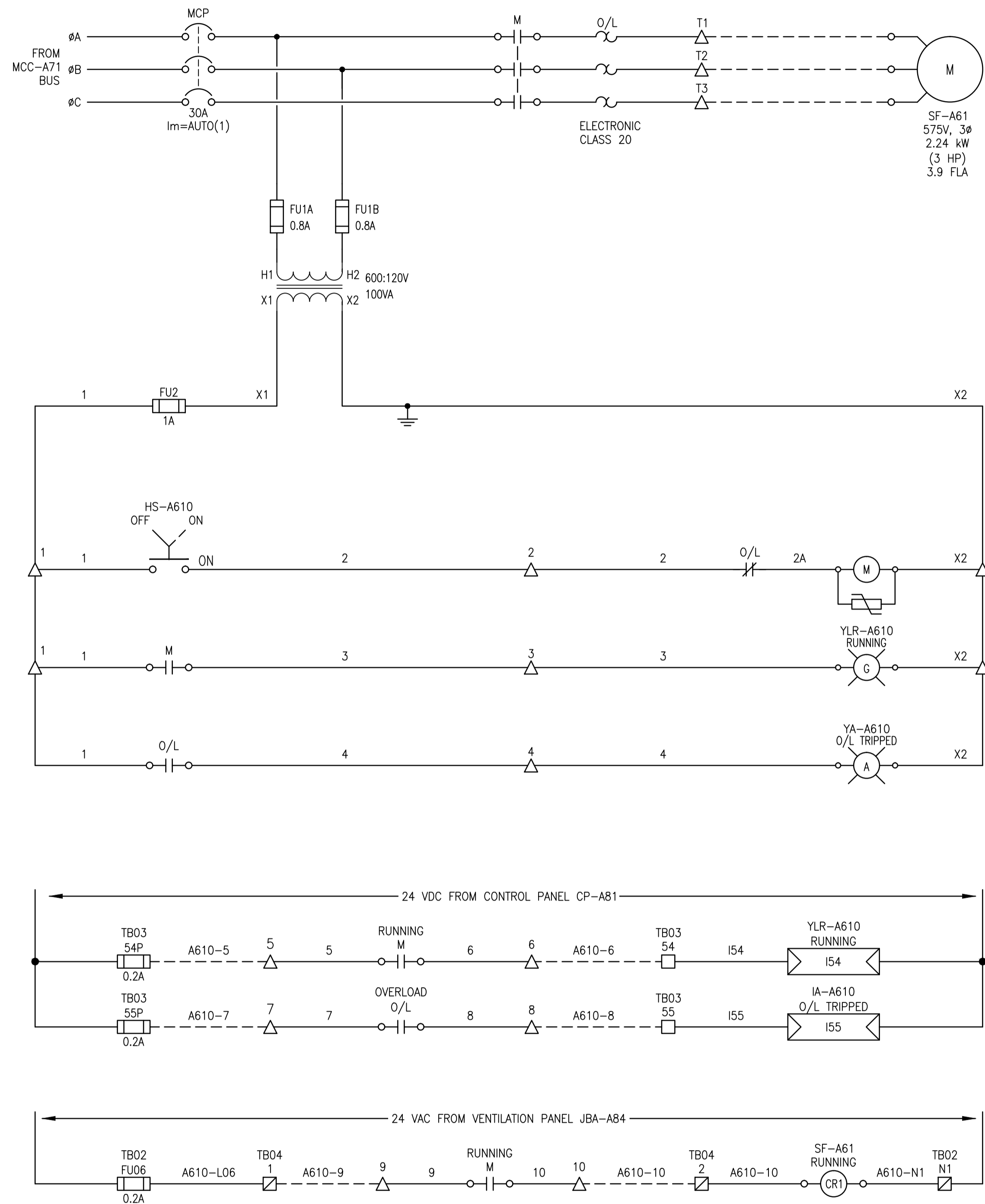
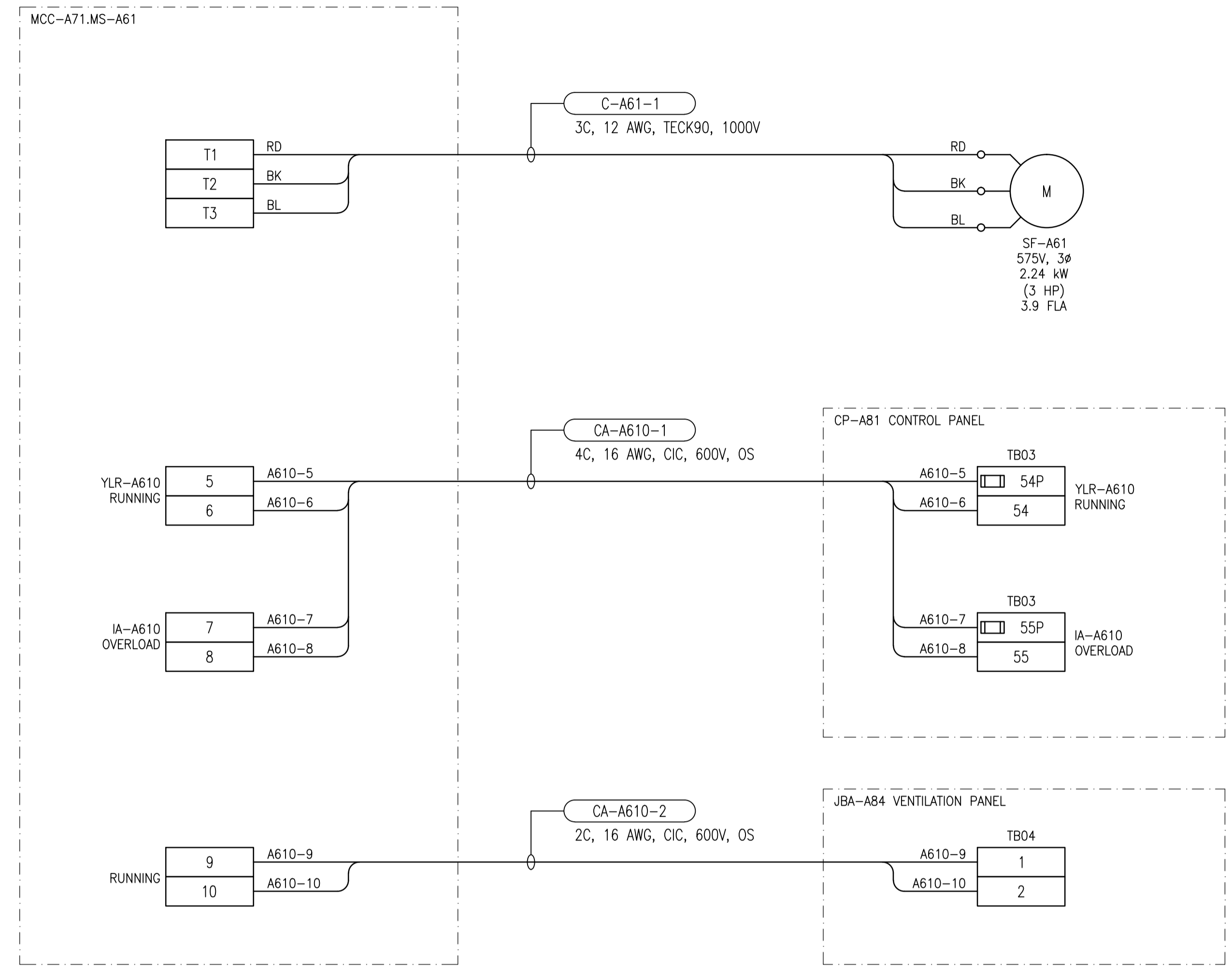


**ELEMENTARY DIAGRAM:**



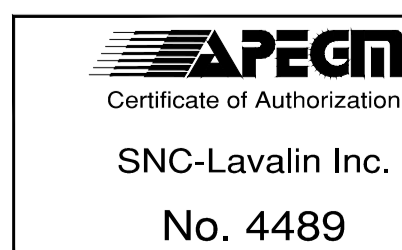
**FIELD CONNECTION DIAGRAM:**



**LEGEND:**

- △ TERMINAL IN MOTOR STARTER PANEL
- TERMINAL IN CONTROL PANEL CP-A81
- ▣ TERMINAL IN VENTILATION PANEL JBA-A84
- ⊙ INDICATING LIGHT, G = GREEN, A = AMBER
- ⊞ RTU INPUT

DRAWING NUMBER	REFERENCE DRAWINGS
----------------	--------------------



00	ISSUED FOR TENDER, BID OP. 331-2016	2016/05/06	BJC	DB
NO.	REVISIONS	DATE	DESIGN	CHECK

**SNC-LAVALIN INC.**  
148 Nature Park Way  
Winnipeg, MB, Canada R3P 0X7  
204-796-8090

DESIGNED BY: B. CLEVEN  
DRAWN BY: Y. KONIG  
SCALE: NTS  
DATE: 2016/02/25

CHECKED BY: D. BECKER  
APPROVED BY: I. PARKINSON  
ISSUED FOR CONSTRUCTION BY: K. ZUREK  
DATE: 2016/05/06

CONSULTANT NO.:

ENGINEER'S SEAL

ORIGINAL DRAWING  
SEALED BY:  
B. CLEVEN  
SNC-LAVALIN  
MEMBER #31479  
2016/05/06  
REV. 00

**THE CITY OF WINNIPEG**  
WATER AND WASTE DEPARTMENT

COCKBURN FLOOD AND WASTEWATER PUMPING STATION  
2016 UPGRADES  
MOTOR STARTER SCHEMATIC  
SF-A61  
MAIN SUPPLY FAN

CITY DRAWING NUMBER: 1-0127A-E0013

SHEET	REV.	SIZE
001	00	A1