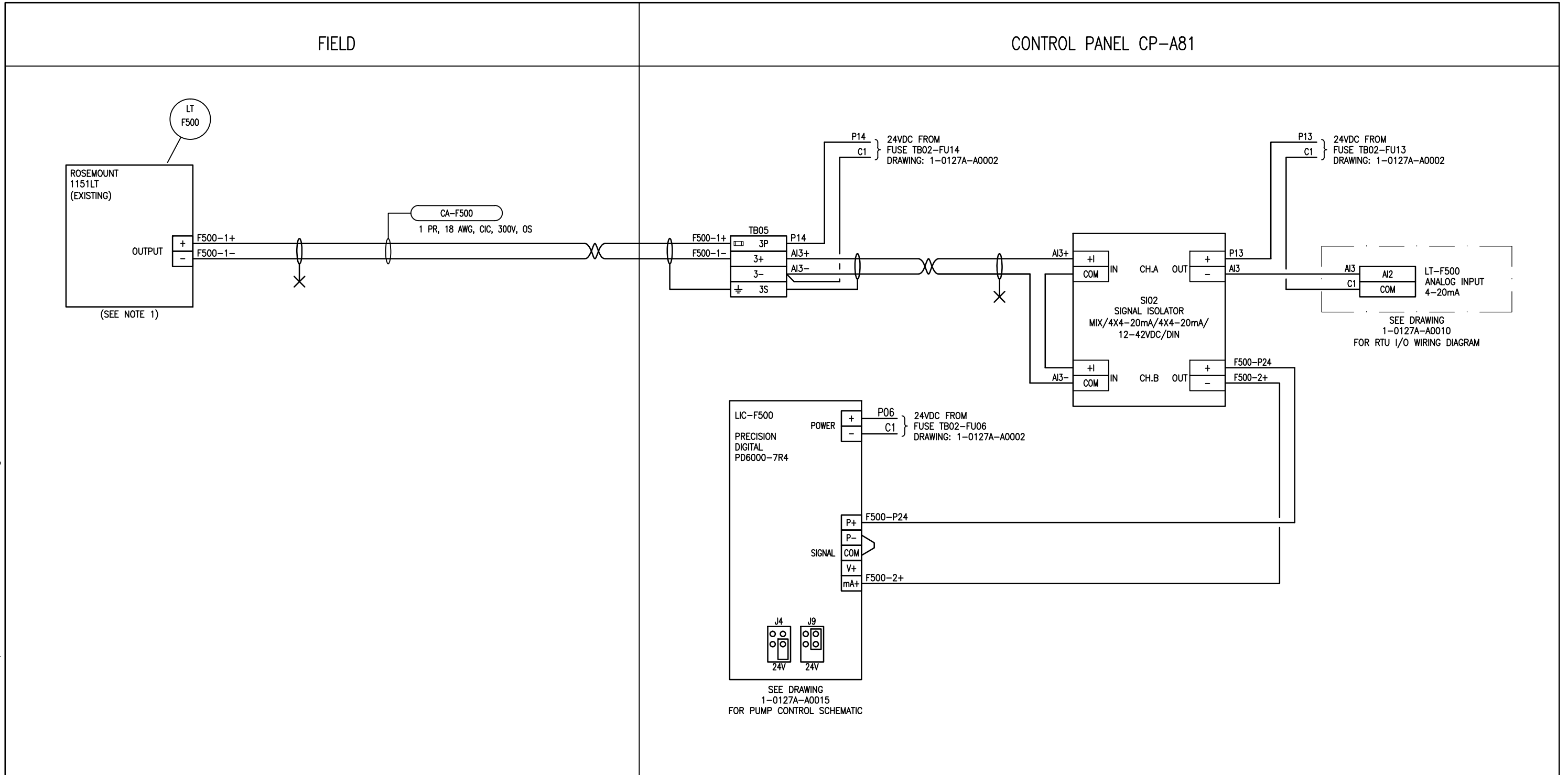


B SIZE - 279mm x 432mm

LAST SAVE: 2016/05/09 - 9:24am
 PATH: M:\632354\4ENG\48&C\DD - General DWG\1-0127F-A0005-001-00.dwg



NOTES:
 1. RE-USE EXISTING LEVEL TRANSMITTER.

APECM
 Certificate of Authorization
 SNC-Lavalin Inc.
 No. 4489

NO.	REVISIONS	DATE	DESIGN	CHECK
00	ISSUED FOR TENDER, BID OP. 331-2016	2016/05/05	BJC	FA

SNC-LAVALIN INC.
 148 Nature Park Way
 Winnipeg, MB, Canada R3P 0X7
 204-786-8080

DESIGNED BY: B. CLEVEN
 CHECKED BY: F. ATAEI
 DRAWN BY: Y. KONIG
 APPROVED BY: I. PARKINSON
 SCALE: NTS
 DATE: 2016/03/10
 ISSUED FOR CONSTRUCTION
 BY: K. ZUREK
 DATE: 2016/05/06
 CONSULTANT NO.:

ENGINEER'S SEAL

ORIGINAL DRAWING
 SEALED BY:
 B. CLEVEN
 SNC-LAVALIN
 MEMBER # 31479
 2016/05/05
 REV. 00

THE CITY OF WINNIPEG
 WATER AND WASTE DEPARTMENT

COCKBURN FLOOD AND WASTEWATER PUMPING STION
 2016 UPGRADES
 LOOP DIAGRAM
 FLOOD WET WELL LEVEL TRANSMITTER
 LT-F500

CITY DRAWING NUMBER	SHEET	REV.	SIZE
1-0127F-A0005	001	00	B