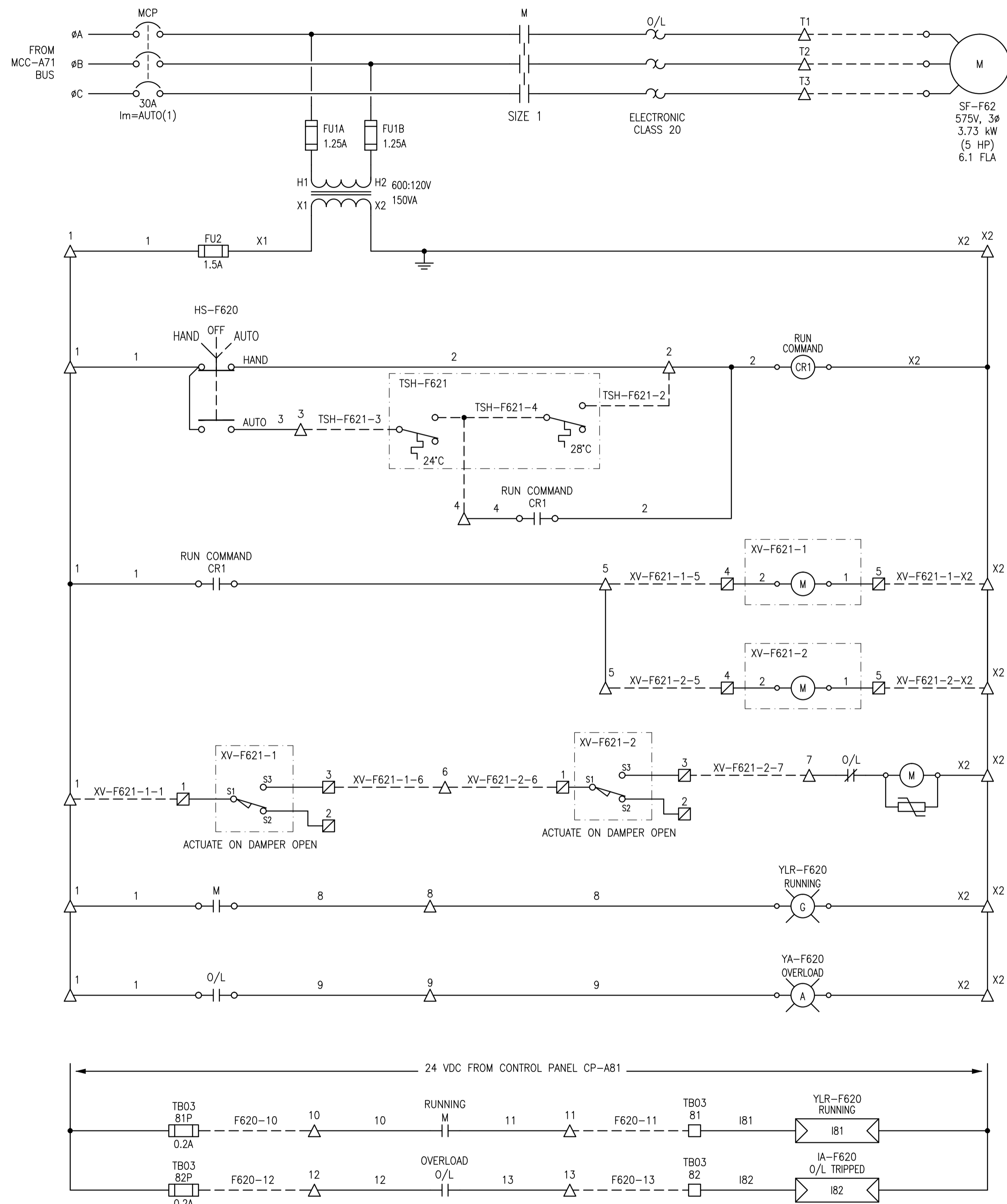
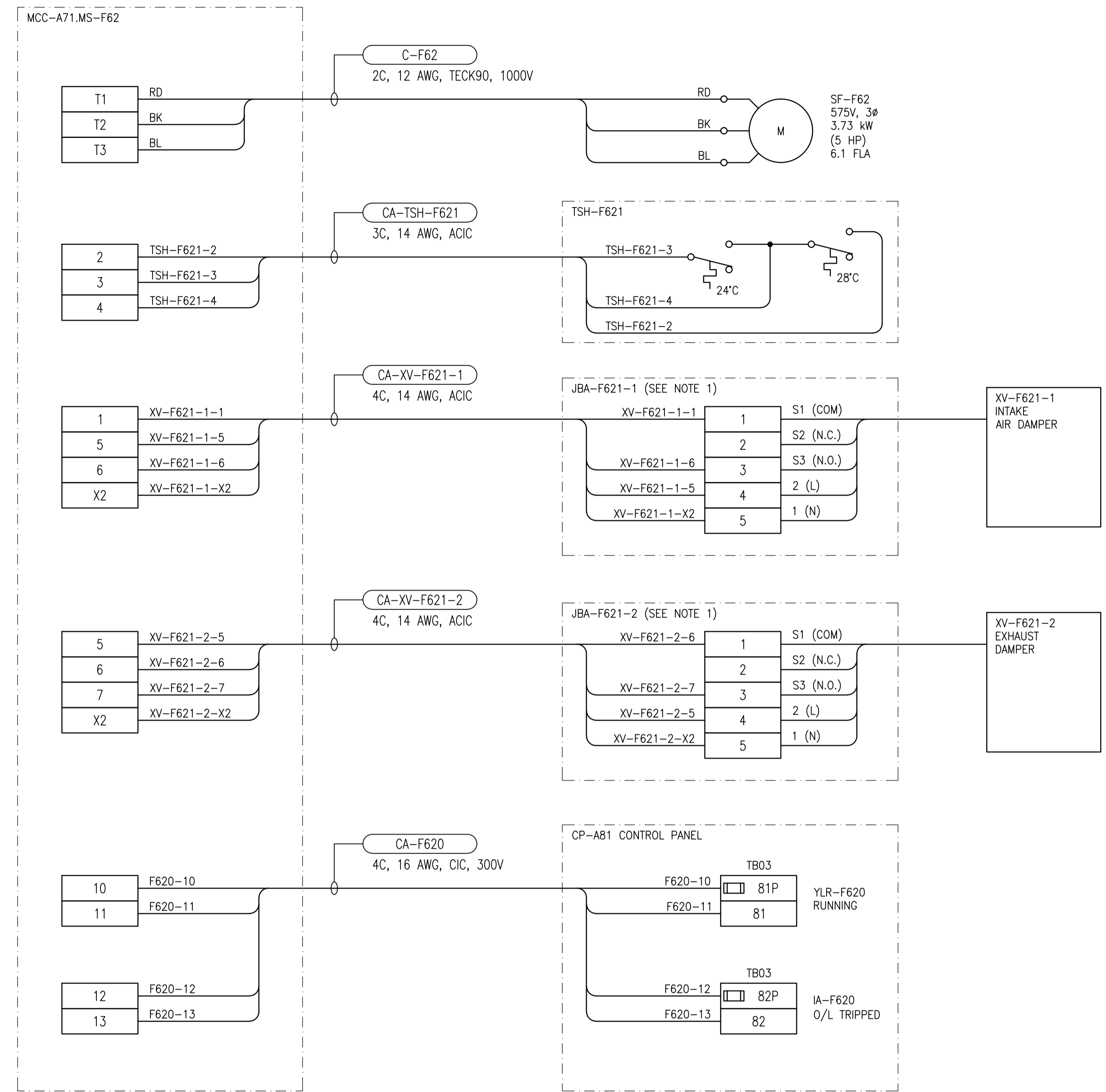


ELEMENTARY DIAGRAM:



FIELD CONNECTION DIAGRAM:



LEGEND:

- △ TERMINAL IN MOTOR STARTER PANEL
- TERMINAL IN CONTROL PANEL CP-A81
- ▣ TERMINAL IN JUNCTION BOX
- ⊙ INDICATING LIGHT, G = GREEN, A = AMBER
- ◁ ▷ RTU INPUT

NOTES:
 1. PROVIDE AND INSTALL NEW NEMA TYPE 4 JUNCTION BOX, COMPLETE WITH TERMINALS AND IDENTIFICATION LAMACOID.



SNC-LAVALIN INC. 148 Nature Park Way Winnipeg, MB, Canada R3P 0X7 204-786-8080				ENGINEER'S SEAL ORIGINAL DRAWING SEALED BY: B. CLEVEN SNC-LAVALIN MEMBER #31479 2016/05/06 REV. 00		THE CITY OF WINNIPEG WATER AND WASTE DEPARTMENT COCKBURN FLOOD AND WASTEWATER PUMPING STATION 2016 UPGRADES MOTOR STARTER SCHEMATIC SF-F62 FLOOD MOTOR COOLING FAN					
DESIGNED BY: B. CLEVEN DRAWN BY: Y. KONIG SCALE: NTS DATE: 2016/03/21		CHECKED BY: D. BECKER APPROVED BY: I. PARKINSON ISSUED FOR CONSTRUCTION BY: K. ZUREK DATE: 2016/05/06		CITY DRAWING NUMBER 1-0127F-E0007		SHEET 001		REV. 00		SIZE A1	
00 ISSUED FOR TENDER, BID OP. 331-2016 2016/05/06 BJC DB		CONSULTANT NO.:		1-0127F-E0007		001		00		A1	