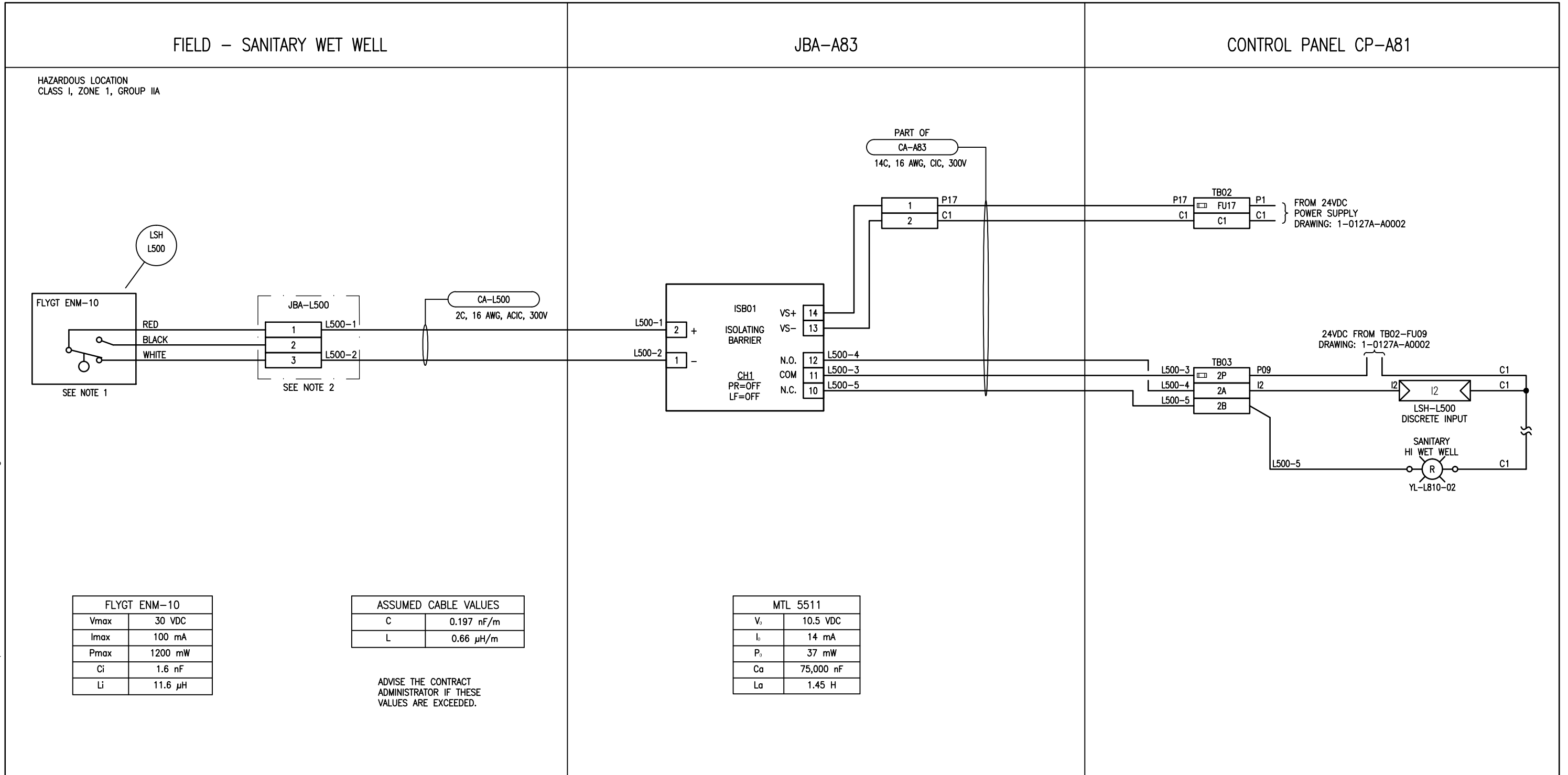


B SIZE - 279mm x 432mm

LAST SAVE: 2016/05/09 - 9:17am
 PATH: M:\632354\4ENG\48&C\DD - General DWG\1-0127L-A0001-001-00.dwg



FLYGT ENM-10	
V _{max}	30 VDC
I _{max}	100 mA
P _{max}	1200 mW
C _i	1.6 nF
L _i	11.6 μH

ASSUMED CABLE VALUES	
C	0.197 nF/m
L	0.66 μH/m

ADVISE THE CONTRACT ADMINISTRATOR IF THESE VALUES ARE EXCEEDED.

MTL 5511	
V _o	10.5 VDC
I _o	14 mA
P _o	37 mW
C _a	75,000 nF
L _a	1.45 H

- NOTES:**
1. PROVIDE AND INSTALL NEW FLOAT SWITCH.
 2. PROVIDE AND INSTALL NEW NEMA TYPE 4X JUNCTION BOX WITH TERMINALS AND IDENTIFICATION LAMACOID.



SNC-LAVALIN INC.
 148 Nature Park Way
 Winnipeg, MB, Canada R3P 0X7
 204-786-8080

NO.	REVISIONS	DATE	DESIGN	CHECK
00	ISSUED FOR TENDER, BID OP. 331-2016	2016/05/05	BJC	FA

DESIGNED BY: B. CLEVEN	CHECKED BY: F. ATAEI
DRAWN BY: Y. KONIG	APPROVED BY: I. PARKINSON
SCALE: NTS	DATE: 2016/02/25
ISSUED FOR CONSTRUCTION	
BY: K. ZUREK	DATE: 2016/05/06
CONSULTANT NO.:	

ENGINEER'S SEAL

ORIGINAL DRAWING
 SEALED BY:
 B. CLEVEN
 SNC-LAVALIN
 MEMBER # 31479
 2016/05/06
 REV. 00

THE CITY OF WINNIPEG
 WATER AND WASTE DEPARTMENT

COCKBURN FLOOD AND WASTEWATER PUMPING STATION
 2016 UPGRADES
 LOOP DIAGRAM
 SANITARY HI WET WELL
 LSH-L500

CITY DRAWING NUMBER	SHEET	REV.	SIZE
1-0127L-A0001	001	00	B