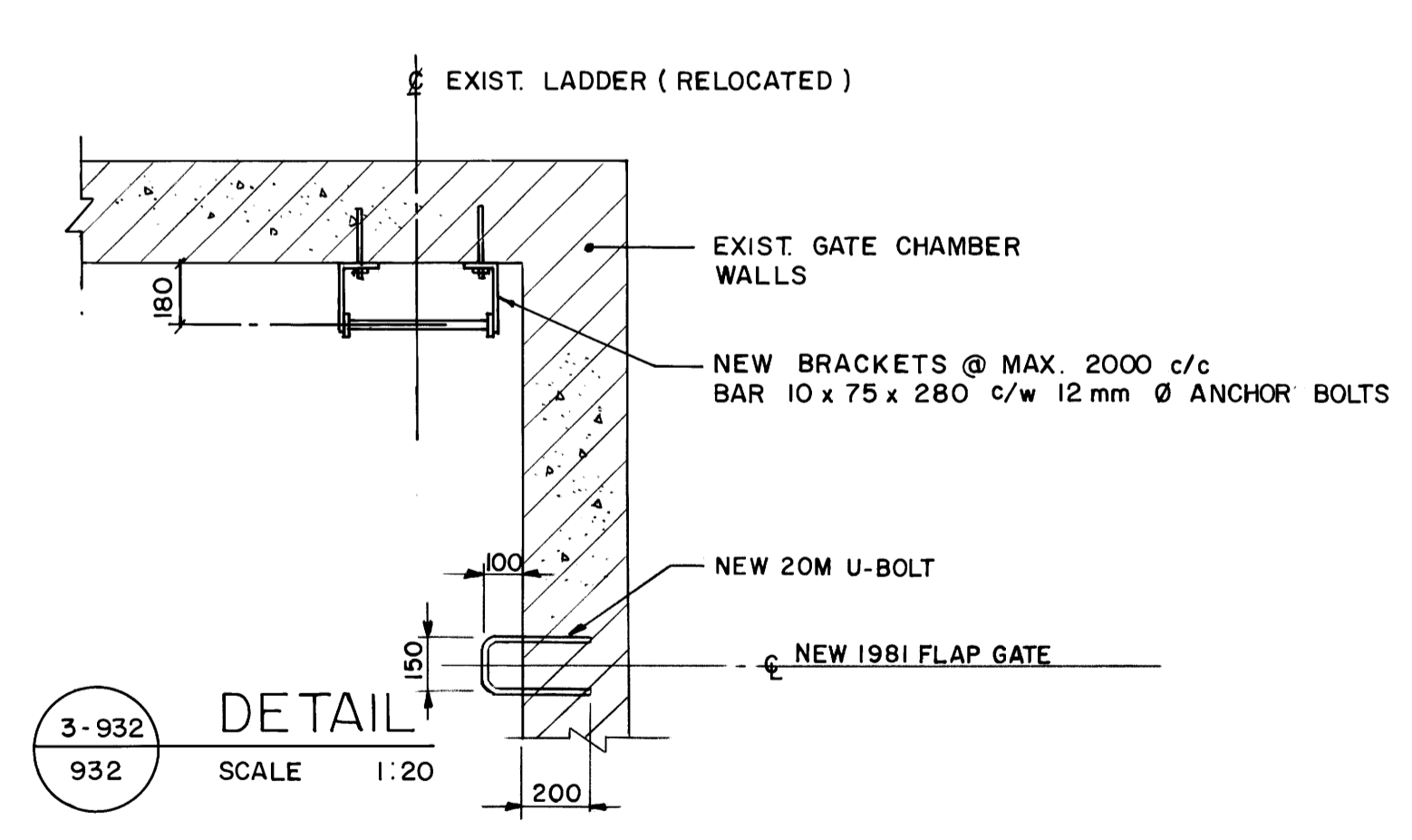
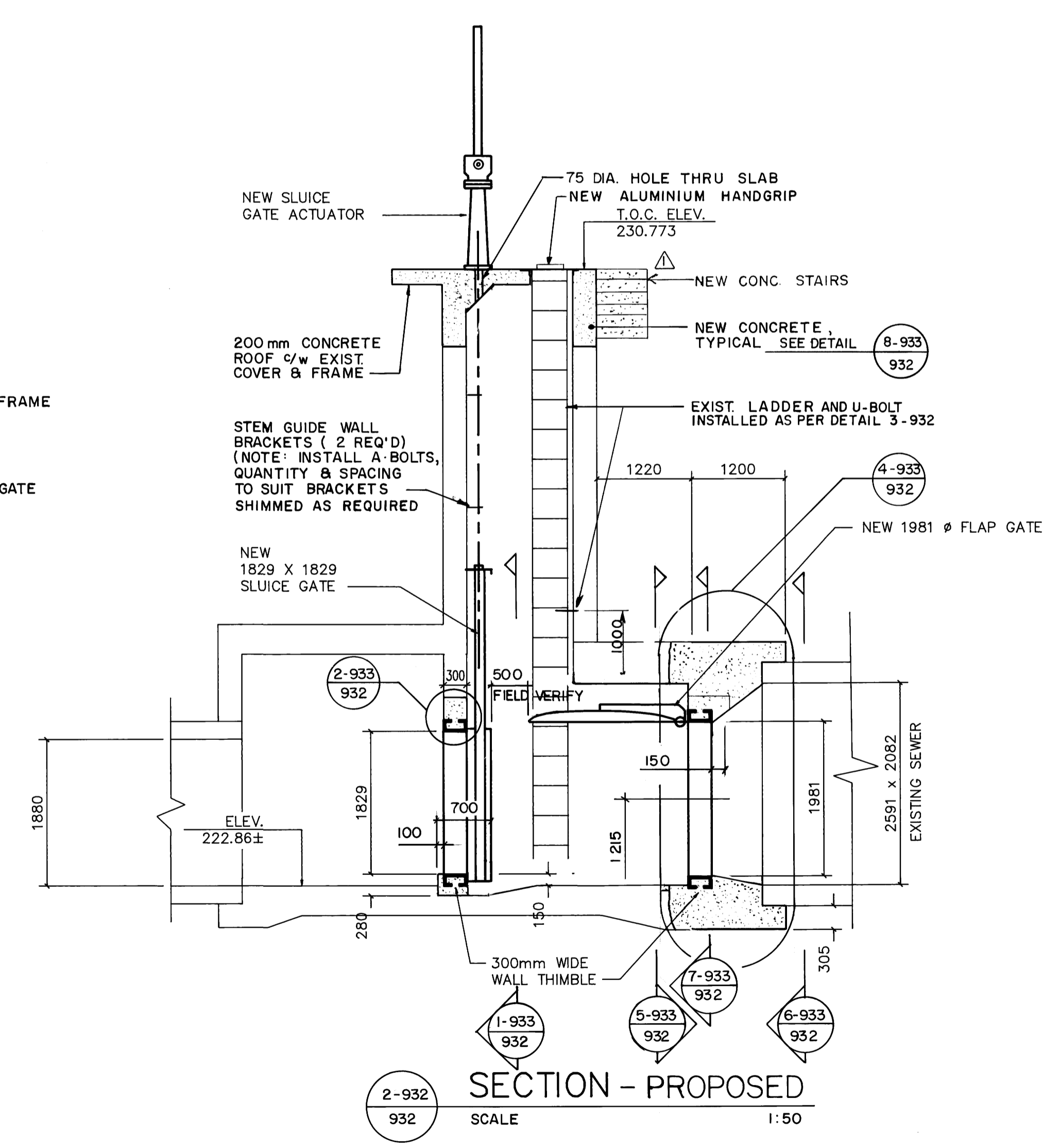
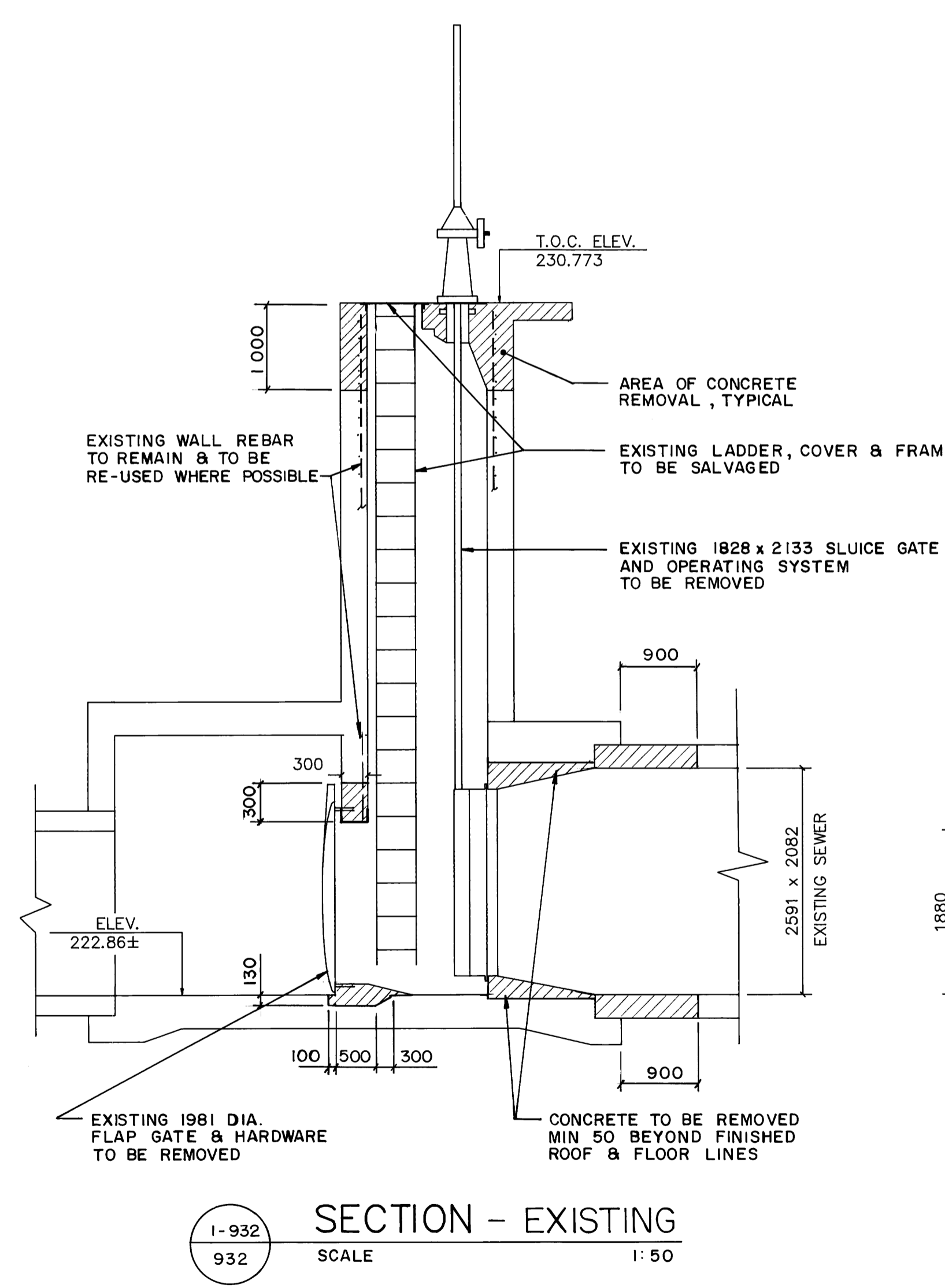
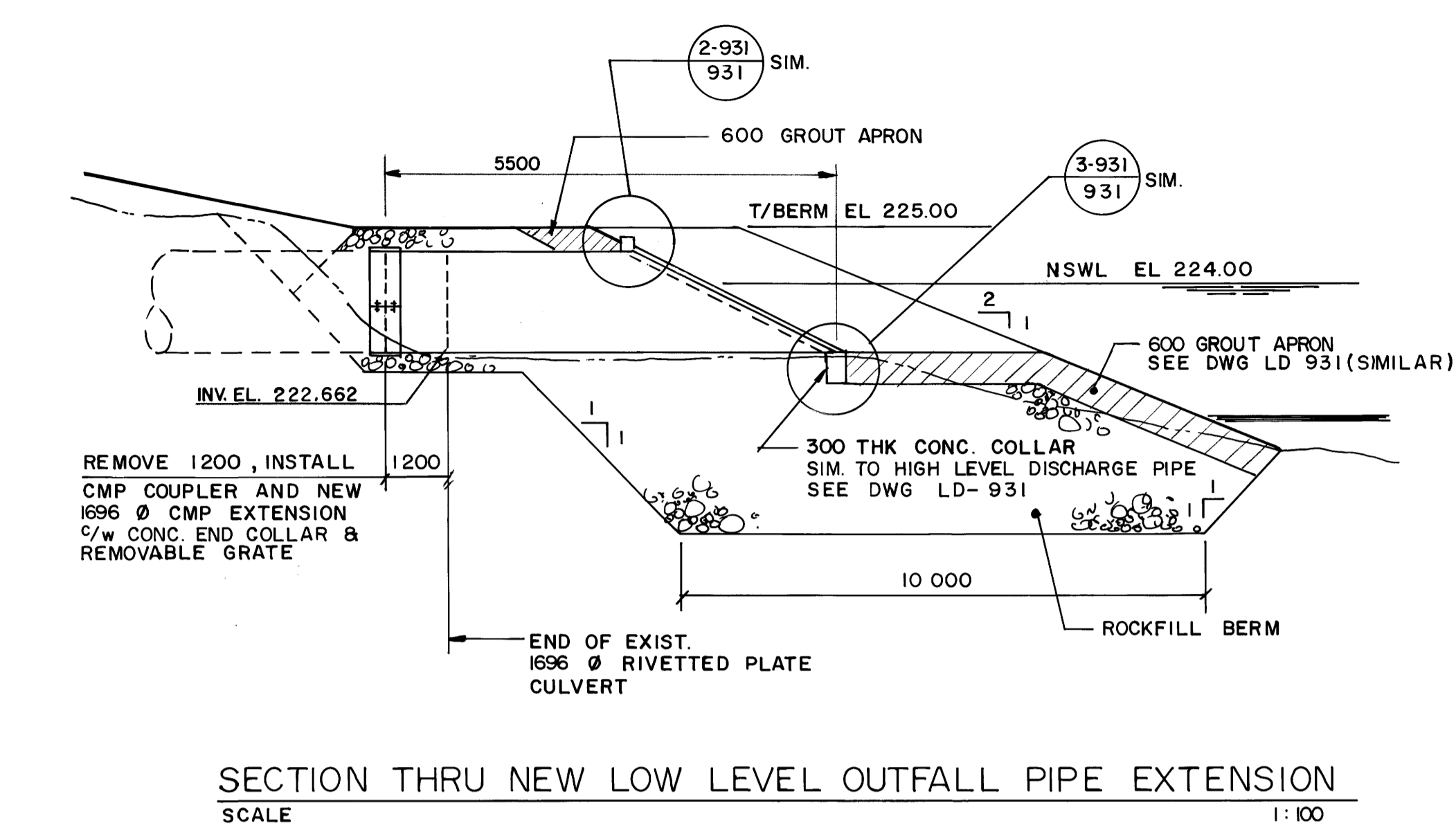
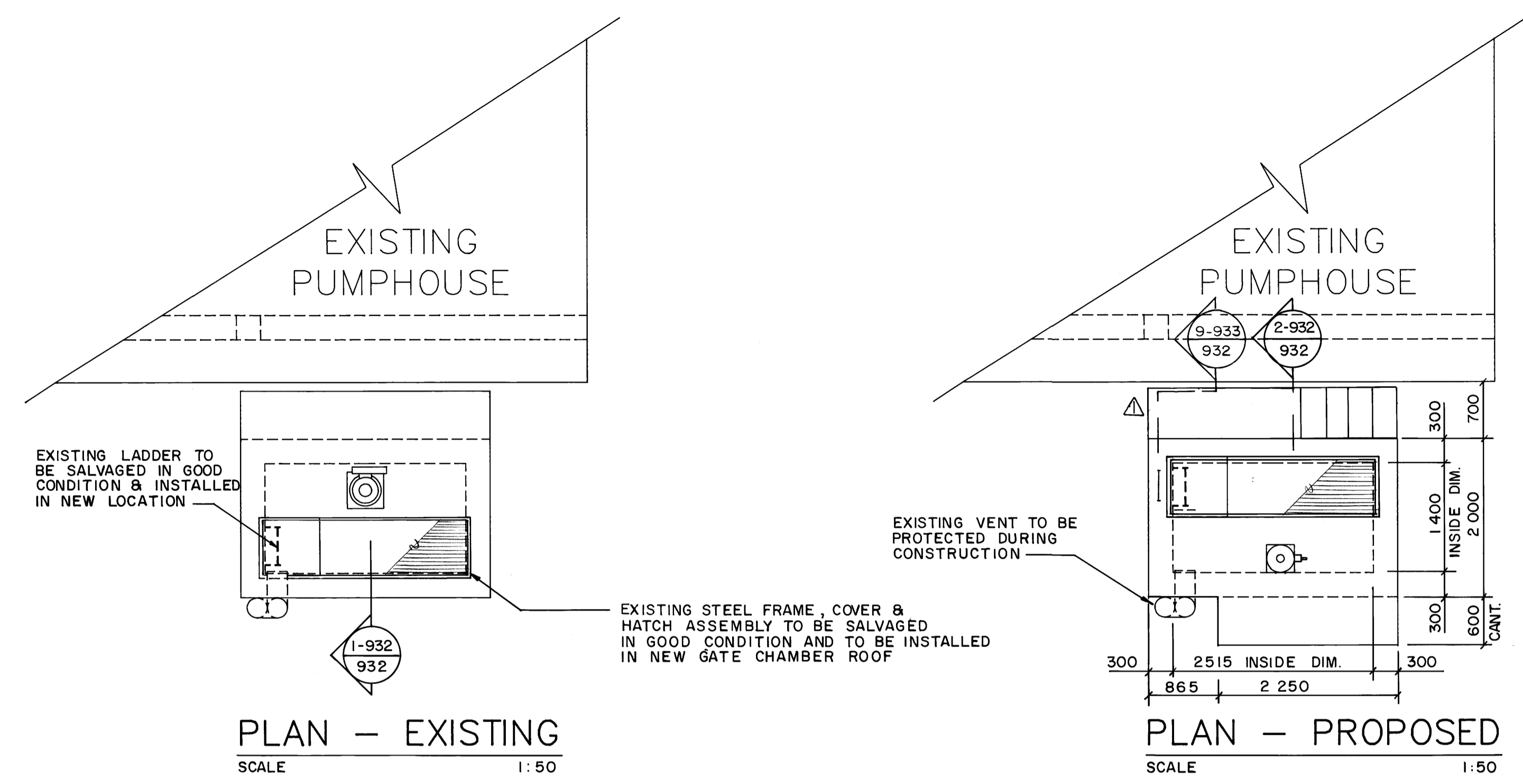


REF. or DRAWING No. **LD-932**
FILE # **LD 10301**
DETAILS



REID, CROWTHER & PARTNERS LIMITED
WINNIPEG
AS CONSTRUCTED
SIG. *W.M. Crowther* DATE *10/15/88*

Reid Crowther DESIGNED BY W.J.M. CHECKED BY C.M. DRAWN BY R.C.S./G.M. APPROVED BY <i>[Signature]</i> HORIZ. SCALE: NOTED VERT. SCALE: NOTED RELEASED FOR CONSTRUCTION DATE: 88-09-27 DATE: OCT. 17, 1988		ENGINEER McColloch REGISTERED ENGINEER CONSULTANT DRAWING NO. 60945-04	THE CITY OF WINNIPEG WORKS AND OPERATIONS DIVISION WATERWORKS, WASTE AND DISPOSAL DEPT. COCKBURN ST. PUMPING STATION SLOPE STABILIZATION AND OUTFALL REMEDIAL WORKS MODIFICATIONS TO EXISTING GATE CHAMBER & LOW LEVEL OUTFALL	CITY DRAWING NUMBER LD-932 SHEET 5 OF 6 1000 FILE # LD 10301
---	--	--	---	--