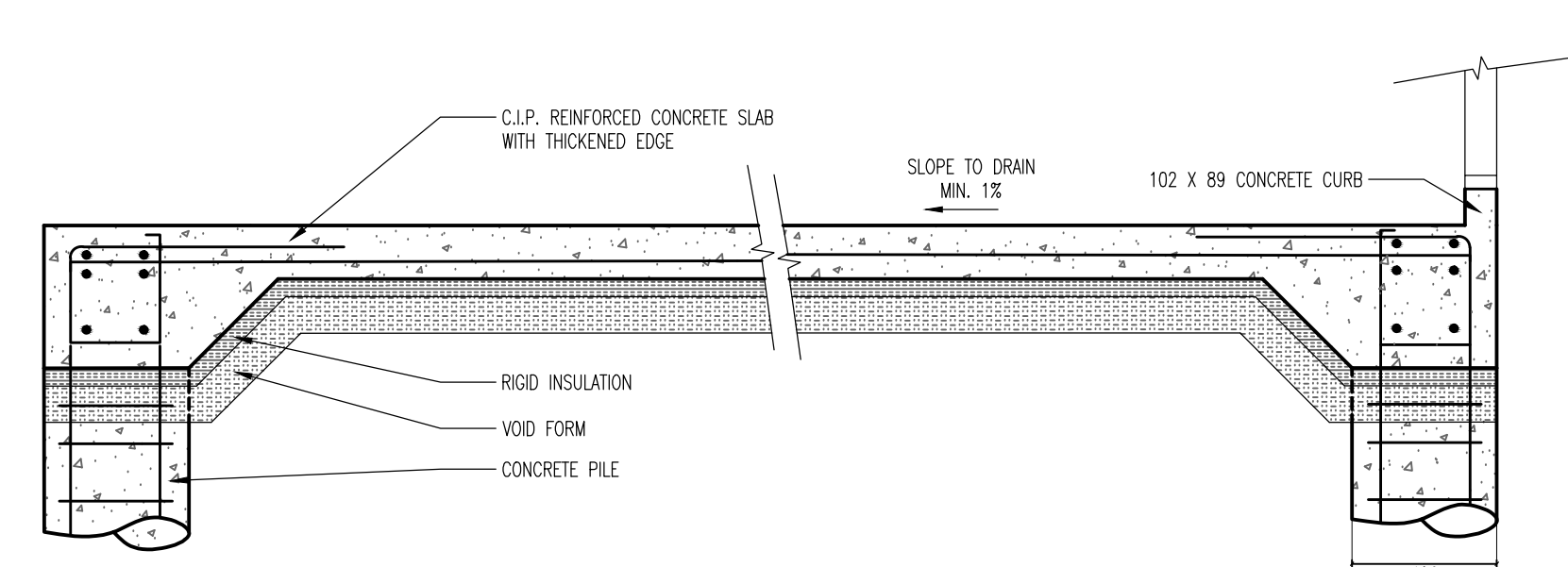


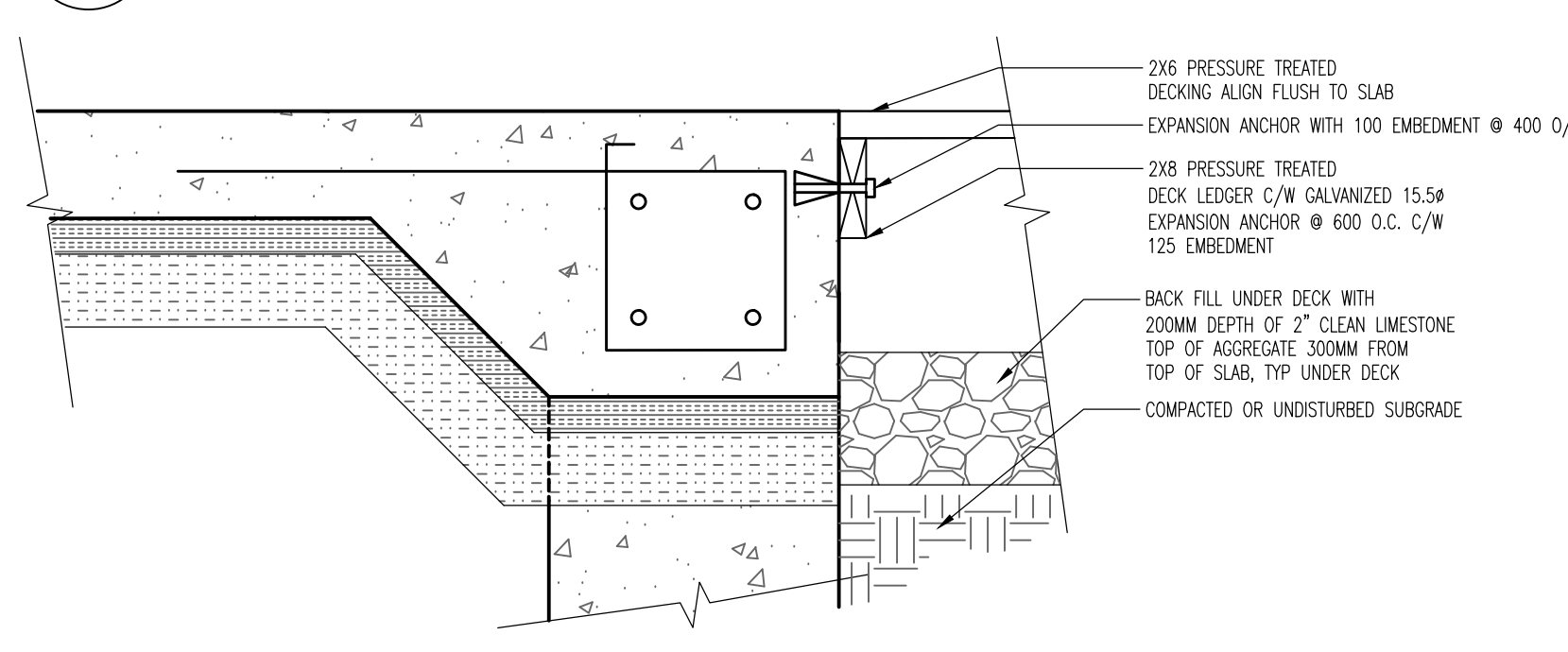
**2 DECKING SUPPORT DETAIL**  
 1:20 (at 24X36)



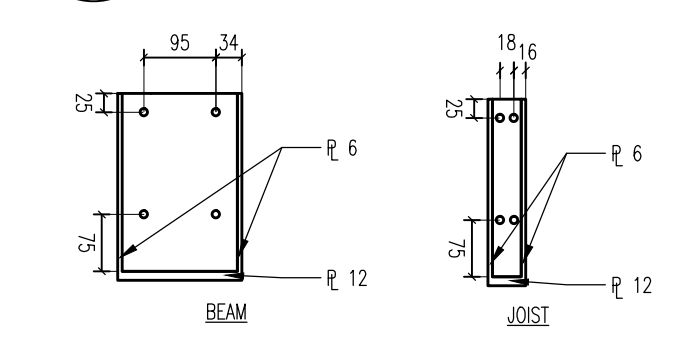
**3 C.I.P. CONCRETE SLAB DETAIL**  
 1:20 (at 24X36)



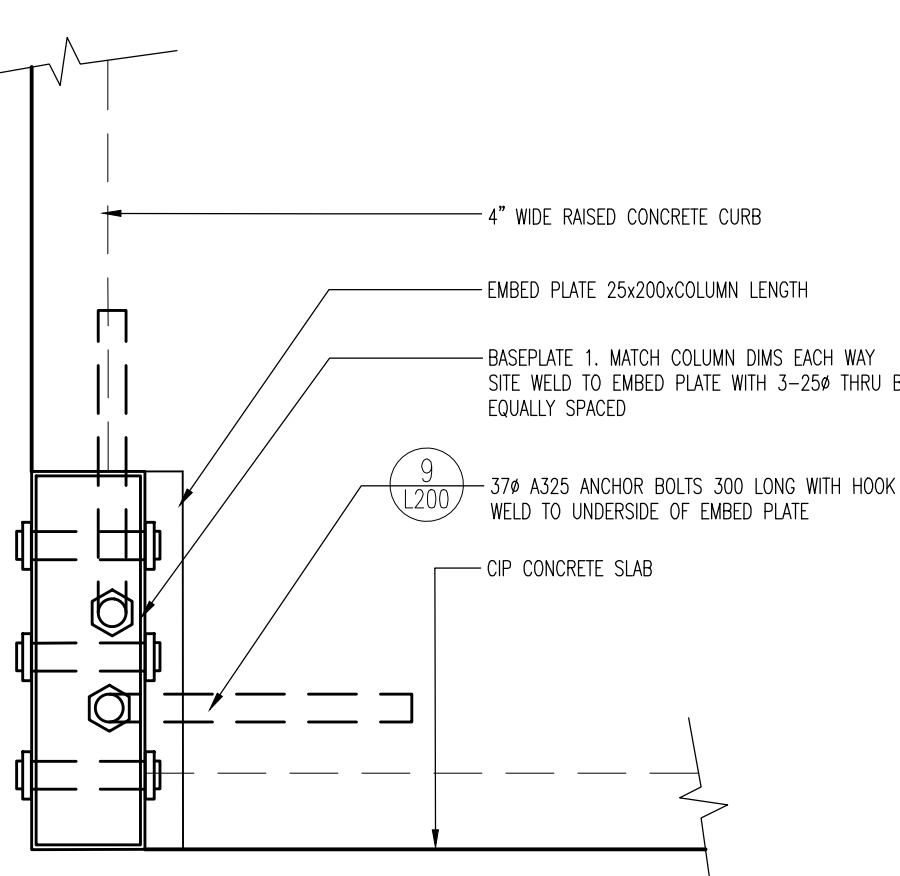
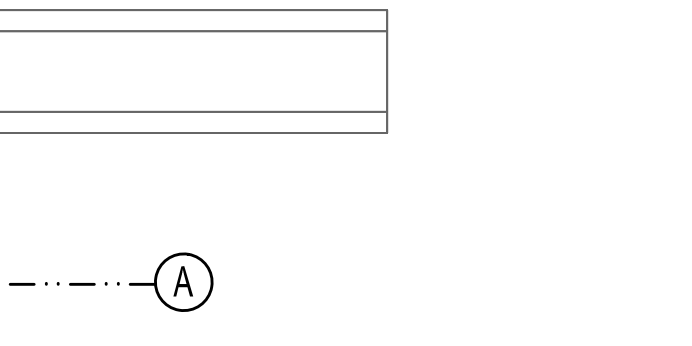
**4 BEAM/JOIST TO CONC SLAB DETAIL**  
 1:10 (at 24X36)



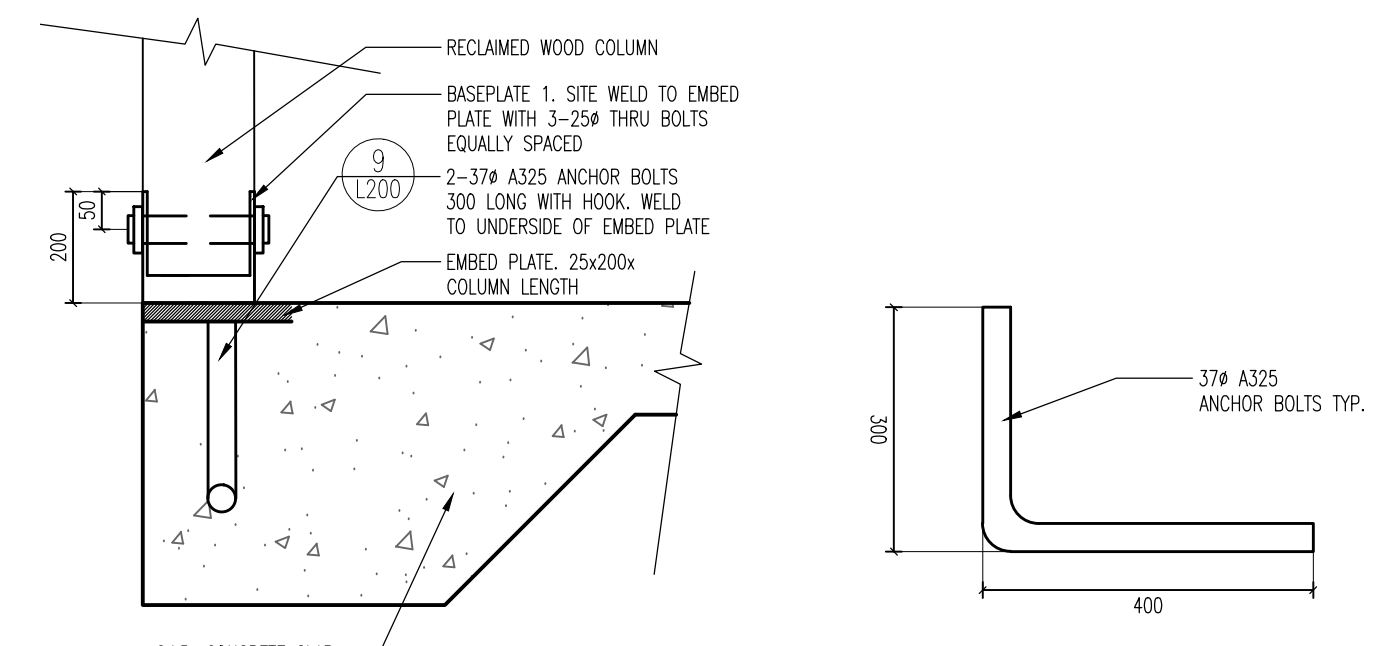
**5 DECKING LEDGER DETAIL**  
 1:10 (at 24X36)



**6 STEEL BRACKET**  
 1:10 (at 24X36)

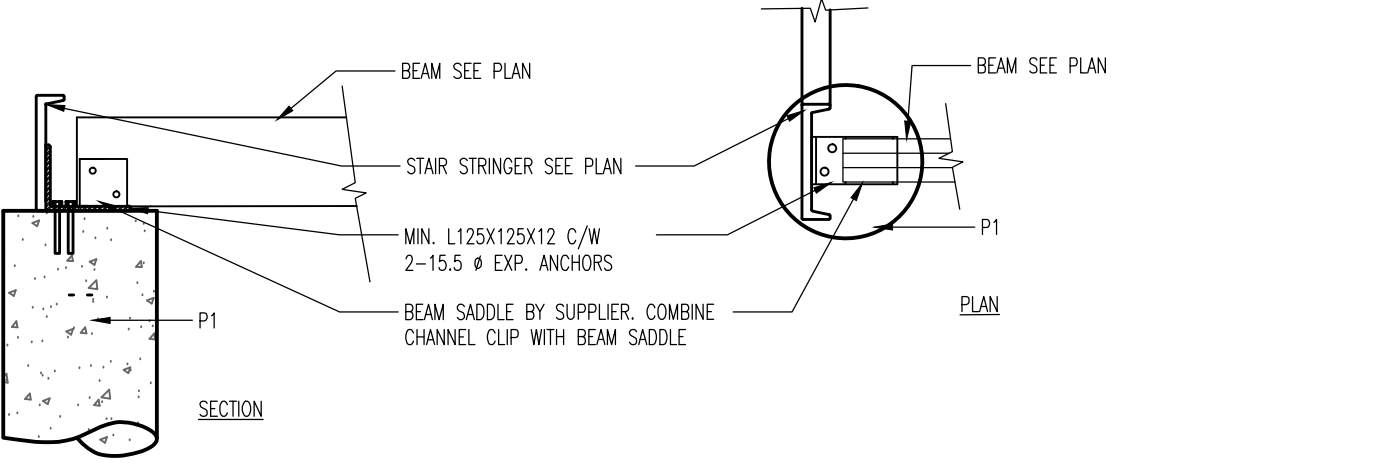
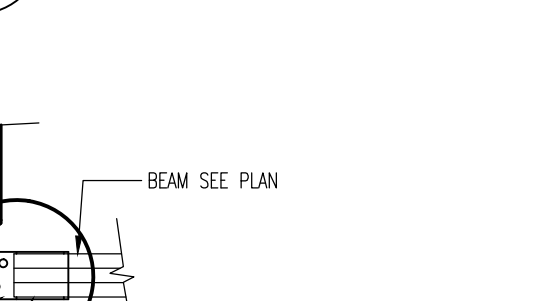


**7 COLUMN BP PLAN**  
 1:10 (at 24X36)



**8 COLUMN BP SECTION**  
 1:10 (at 24X36)

**9 ANCHOR BOLT**  
 1:10 (at 24X36)



**10 STAIR STRINGER + BEAM CONNECTION TO PILE**  
 1:20 (at 24X36)

No.	DATE	ISSUED FOR CONSTRUCTION
5	YY.MM.DD	-
4	YY.MM.DD	-
3	YY.MM.DD	-
2	YY.MM.DD	-
1	16.04.15	ISSUED FOR CONSTRUCTION



Consultant  
**PLAIN PROJECTS**  
 LANDSCAPE ARCHITECTURE & ENVIRONMENTAL DESIGN  
 562 Academy Road / Winnipeg, MB / R3N 0E3  
 (204) 930 0272 / www.plainprojects.ca



Consultant  
**WOLFROM ENGINEERING LTD.**  
 CONSULTING ENGINEERS 345 WINDYWAY AVENUE, WINNIPEG, CANADA R3L 0L5 PHONE: (204) 432-0241 FAX: (204) 284-8889



Client  
**Winnipeg**  
 The City of Winnipeg  
 Planning, Property and Development Department  
 15-30 Fort Street, Winnipeg, MB R3C 4X5

Project  
**ST. VITAL PARK TOBOGGAN SLIDES & SHELTER**

Sheet Title  
**FOUNDATION PLAN**

BID OPPORTUNITY # 339-2016  
 Date APRIL 2016  
**L200**