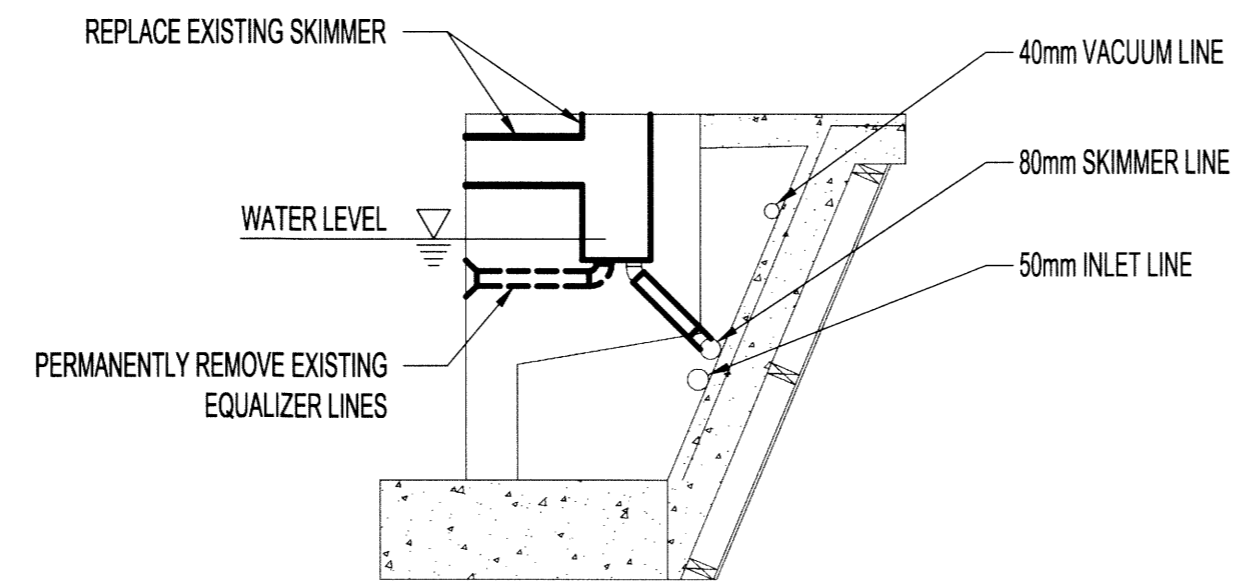
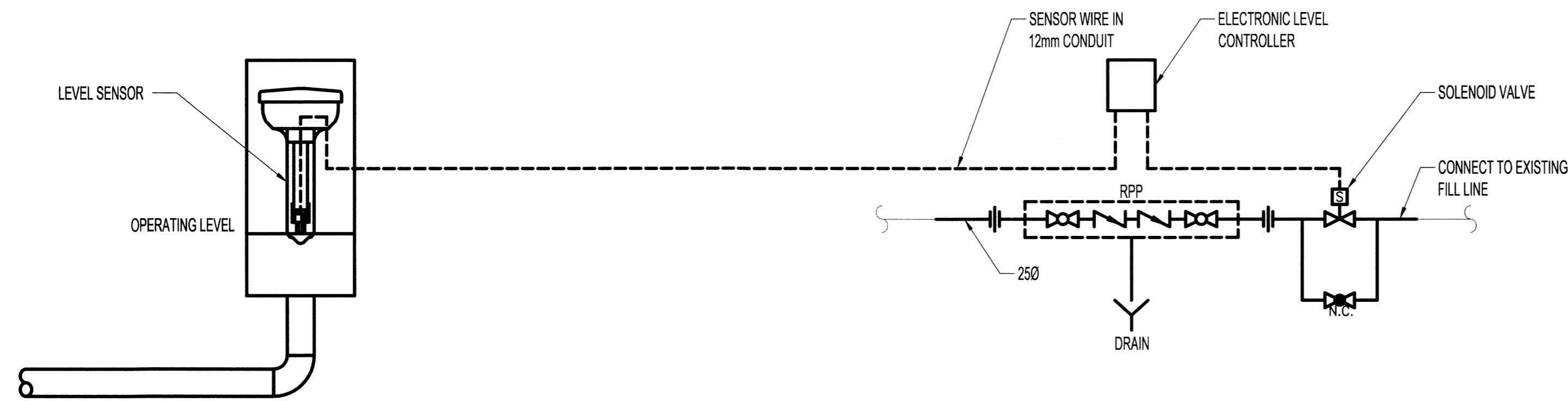


A LEVEL CONTROLLER
M02 SCALE N.T.S.



B SKIMMER DETAIL SECTION
M02 SCALE N.T.S.



C LEVEL CONTROLLER SCHEMATIC
SCALE N.T.S.

LEGEND:

- NEW EQUIPMENT / PIPING
- EXISTING EQUIPMENT / PIPING
- RPP REDUCED PRESSURE PRINCIPLE BACKFLOW PREVENTER

NOTES:
THESE DRAWINGS SHALL NOT BE SCALED.

THE CONTRACTOR SHALL VISIT THE SITE AND SATISFY ONESELF ALL DIMENSIONS, DATUM, AND DETAILED INFORMATION SHOWN ARE CORRECT.

THE CONTRACTOR IS TO REVIEW AND COORDINATE ALL ARCHITECTURAL, MECHANICAL, ELECTRICAL AND STRUCTURAL DRAWINGS FOR ADDITIONAL OPENINGS THROUGH FLOORS, WALLS, AND CEILINGS FOR DUCT, PIPE & ELECTRICAL RISERS AND ALL OPENINGS NOT SHOWN ON DRAWINGS.

ALL OPENINGS THROUGH FIRE ASSEMBLIES ARE TO BE FIRE STOPPED AND SEALED WITH ULC APPROVED FIRE STOPPING TO MAINTAIN THE INTEGRITY OF THE FIRE SEPARATION, AND PROVIDE A SMOKE-TIGHT BARRIER.

ALL PRODUCTS AND MATERIALS TO BE USED AND INSTALLED SHALL CONFORM WITH MANUFACTURER'S SPECIFICATIONS & APPLICABLE CODES.

THE CONTRACTOR SHALL BE RESPONSIBLE TO PATCH AND MAKE GOOD ALL EXISTING CONSTRUCTION AFFECTED BY THE REMOVAL OF ALL ITEMS FORMING THE PART OF THE RENOVATION WORK.

WHERE NEW FLOORING AND BASE IS TO BE INSTALLED IN EXISTING AREAS (REFER TO FLOOR PLAN AND ROOM SCHEDULE) THE EXISTING FLOORING SURFACE AND BASE MUST BE REMOVED, UNLESS OTHERWISE NOTED. ALL FLOOR SURFACES SHALL BE PREPARED IN ACCORDANCE TO MANUFACTURER'S RECOMMENDATIONS FOR INSTALLATION OF NEW FLOOR.

WHERE PAINTING OF EXISTING WALLS IS INDICATED ON THE ROOM SCHEDULE, THESE WALLS MUST BE CLEANED OF ANY EXISTING WALL COVERING, PATCHED & PREPARED TO ACCEPT NEW MATERIAL, UNLESS OTHERWISE NOTED.

No.	REVISION/DESCRIPTION	BY	DATE
0	ISSUED FOR CONSTRUCTION		16.04.20

SEAL

DRAWN: ML
 CHECKED: [initials]
 DESIGNED: MAP
 APPROVED: [initials]
 DATE: YEAR.MM.DD
 USER APPROVAL

THE CITY OF WINNIPEG
 PLANNING, PROPERTY AND
 DEVELOPMENT DEPARTMENT
 MUNICIPAL ACCOMMODATIONS DIVISION
 3-65 GARRY STREET, R3C 4K4

PROJECT
**PROVENCHER OUTDOOR POOL
 POOL REHABILITATION**

590 RUE LANGEVIN
 SHEET TITLE

MECHANICAL
 SECTIONS, DETAILS
 AND SCHEMATICS

SCALE	PROJECT No:	SHEET No:
AS SHOWN	15-0107-018	M04

SCALE VERIFIED BY: ML

APEGM
 Certificate of Authorization
 KGS Group
 No. 245

**KGS
 GROUP**
 CONSULTING
 ENGINEERS