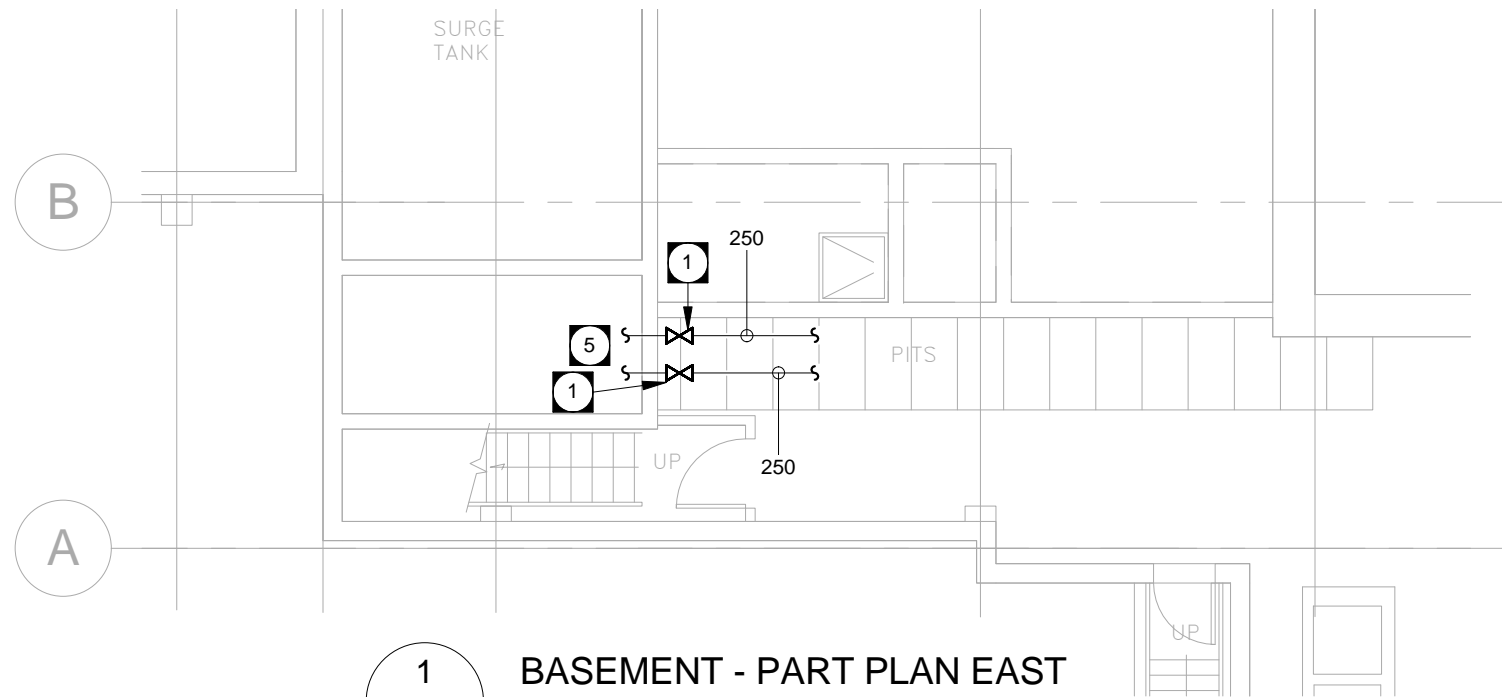
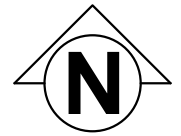
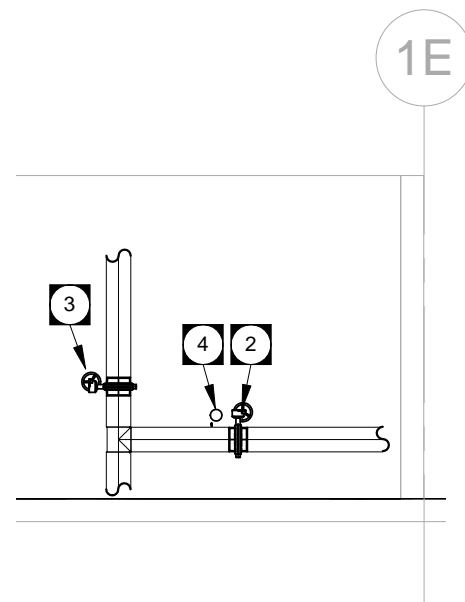


**KEY NOTES**

- 1 REPLACE EXISTING 250MM VALVES WITHIN DRAINAGE PIT. VALVES ARE LOCATED APPROXIMATELY 3000MM BELOW MECHANICAL FLOOR LEVEL BELOW EXISTING REMOVABLE METAL FLOORING.
- 2 REPLACE EXISTING 300MM VALVE OPERATOR AND HAND WHEEL. ALL NEW COMPONENTS AS PER SPECIFICATION FOR OPERATION IN POOL ENVIRONMENT.
- 3 REPLACE EXISTING HAND WHEEL WITH WHEEL AND EXTENDED SPINDLE. ADJUST HAND WHEEL LOCATION TO AVOID CURRENT INTERFERENCE WITH PIPING.
- 4 REPLACE EXISTING PRESSURE GAUGE WITH NEW GAUGE AT THIS LOCATION.
- 5 POOL WATER SYSTEM



**1** BASEMENT - PART PLAN EAST  
M1.3 SCALE: 1 : 100



**2** MECHANICAL SECTION  
M1.3 SCALE: 1 : 100

O 16-04-19 Issued for Construction  
No. DATE ISSUANCE  
Seal

**APEGM**  
Certificate of Authorization  
Epp Siepman Engineering Inc.  
No. 4035

**es|e epp siepman engineering**  
400 - 136 Market Avenue  
Winnipeg, MB R3B 0P4  
T 204 453 1080

Client

Project  
PAN AM POOL VALVE AND SERVICES  
REPLACEMENTS  
25 POSEIDON BAY

Sheet Title

**BASEMENT MECHANICAL PLANS**

1 : 100

Bid  
Opportunity  
383-2016



**M1.3**