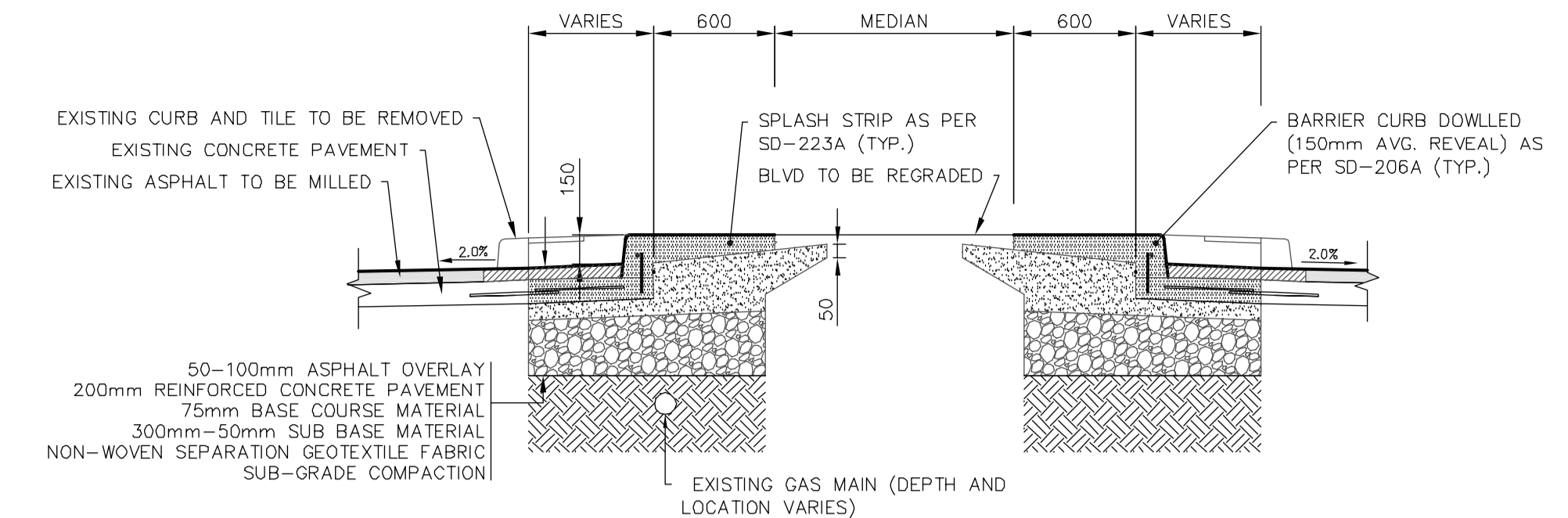


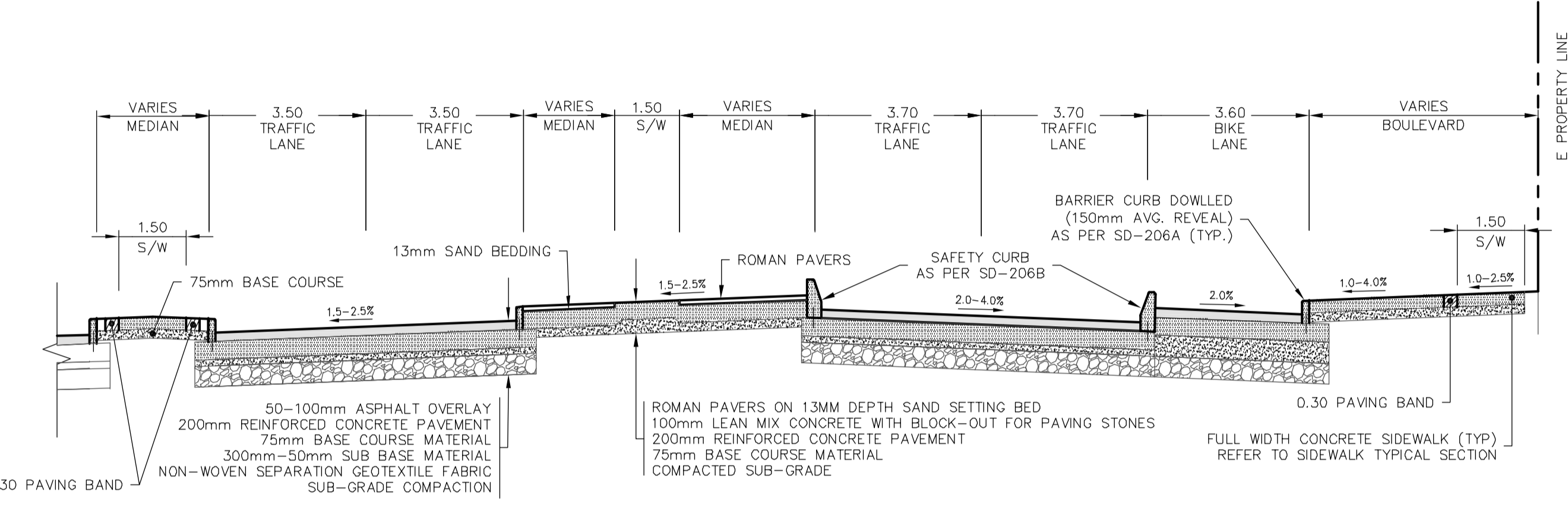
**REHABILITATION TYPICAL CROSS SECTION**

NTS



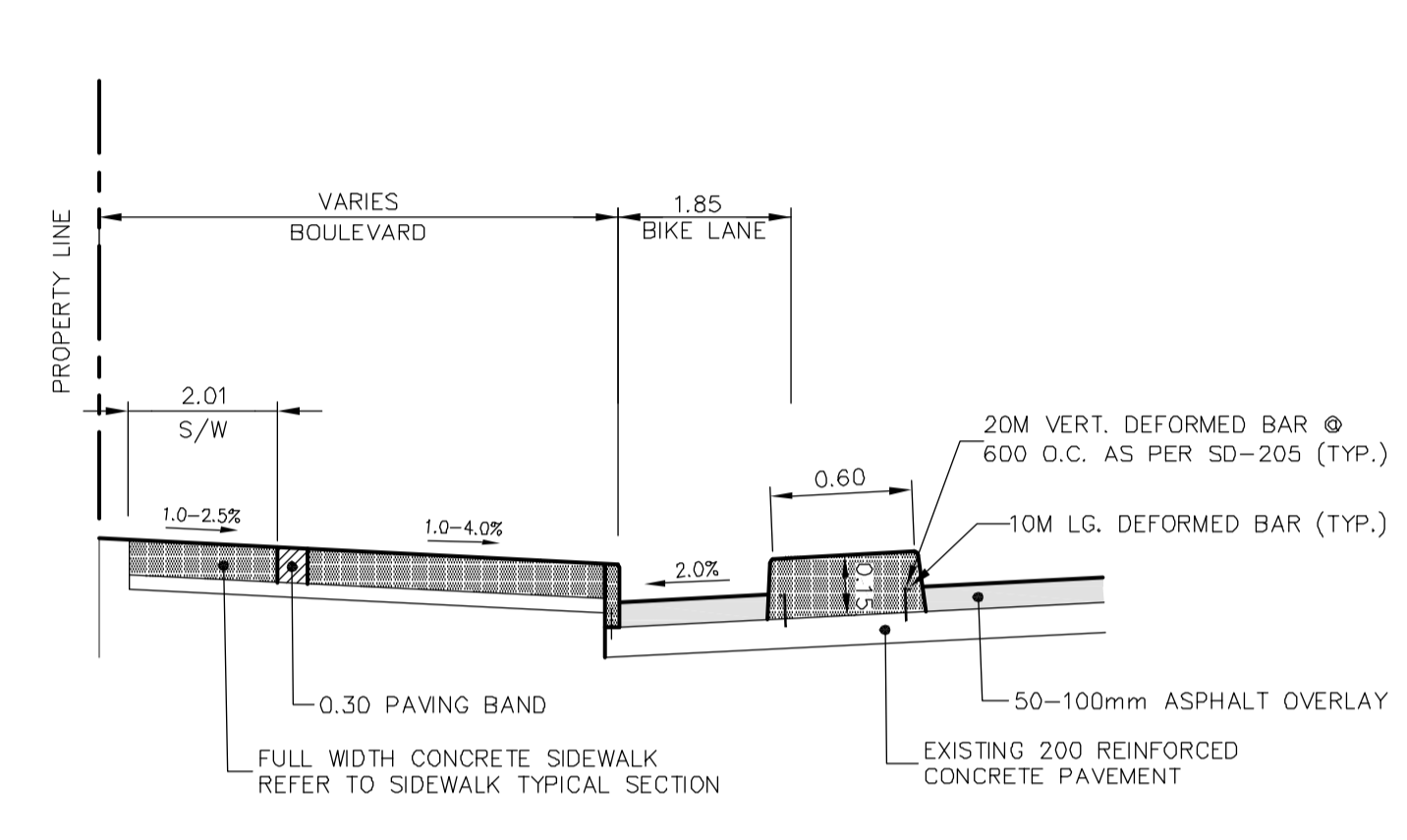
**MEDIAN LANE PAVEMENT WIDENING TYPICAL CROSS SECTION**

NTS



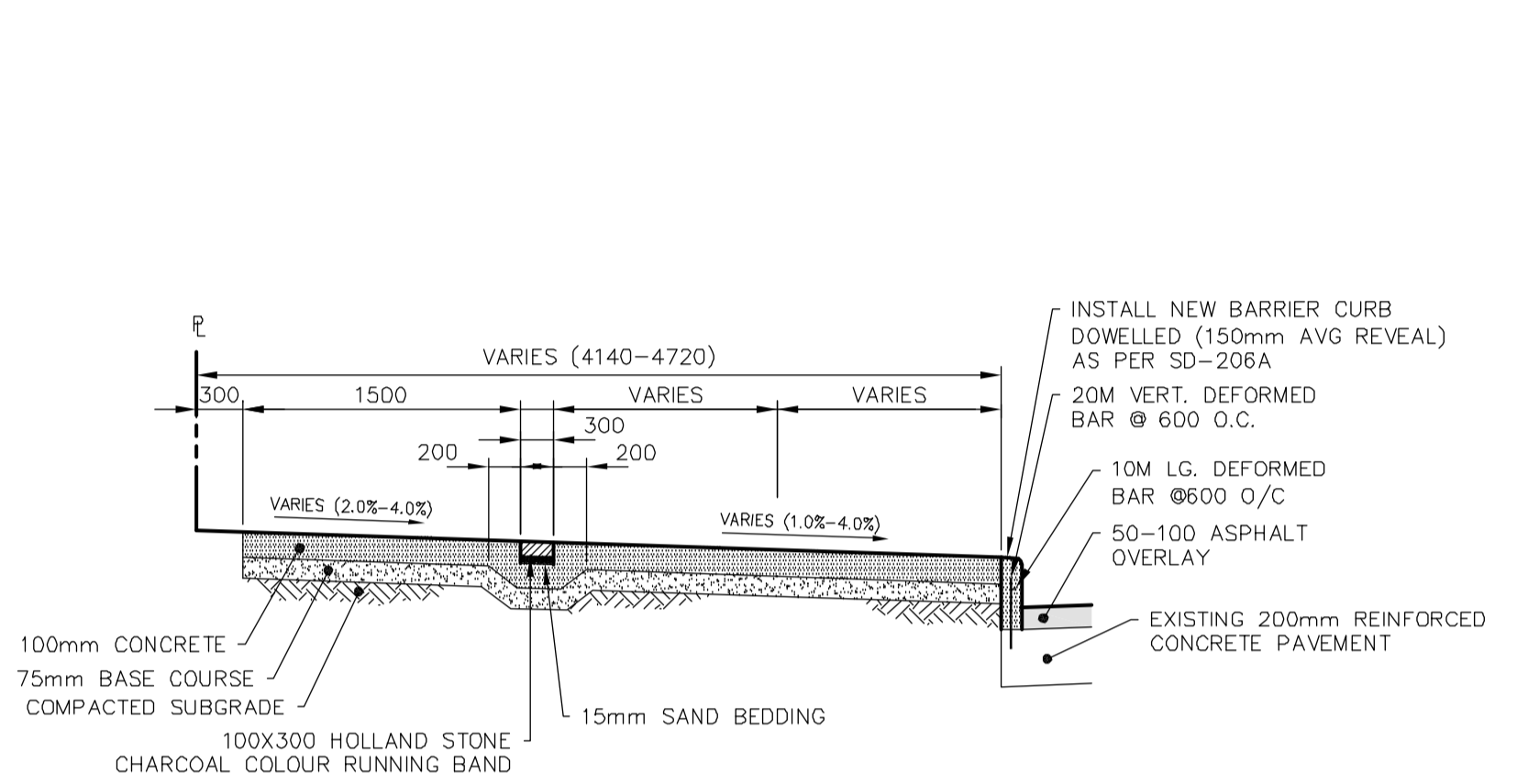
**RECONSTRUCTION TYPICAL SIDEWALK SECTION**

NTS



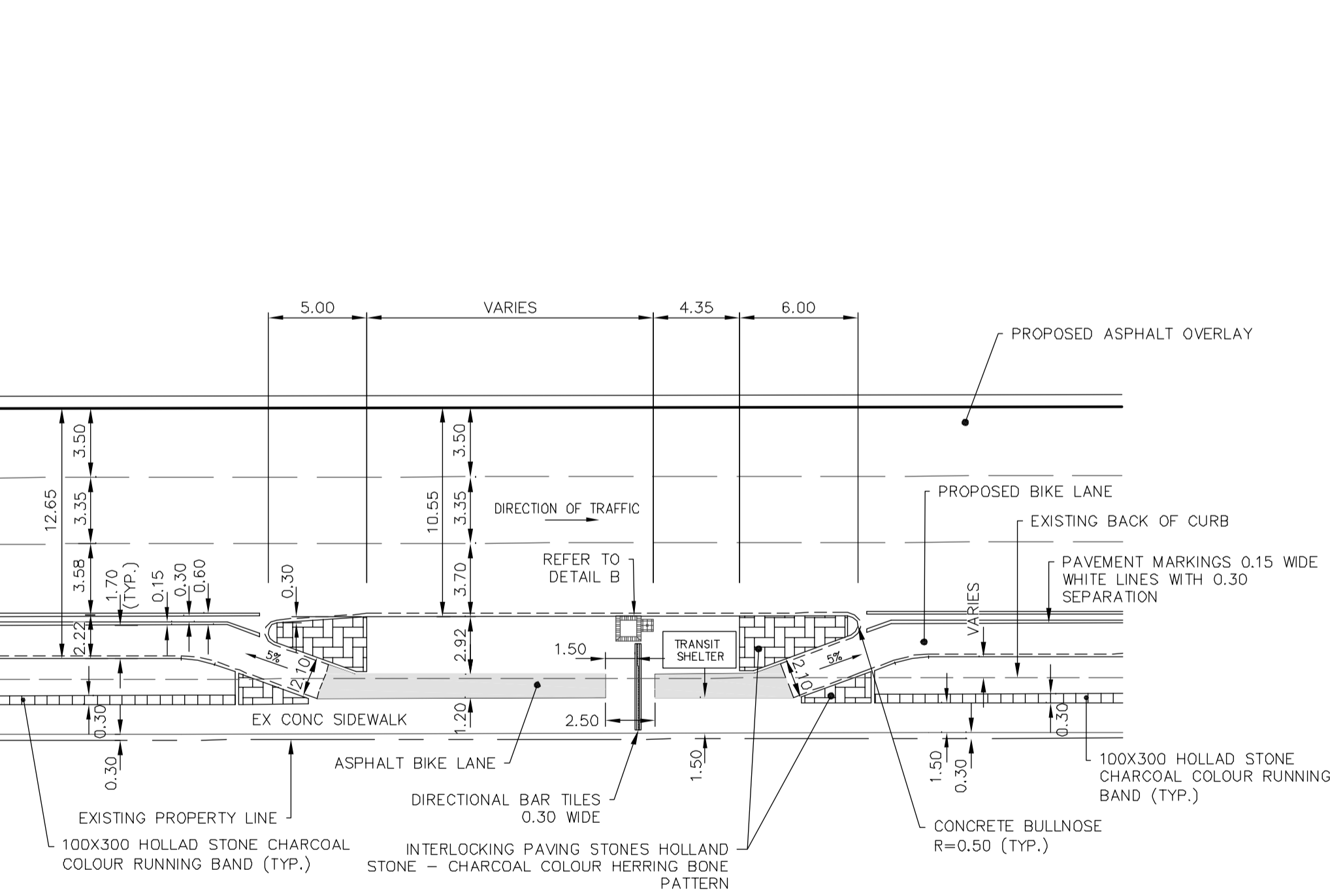
**RESTRICTED PARKING AREAS TYPICAL CROSS SECTION**

NTS



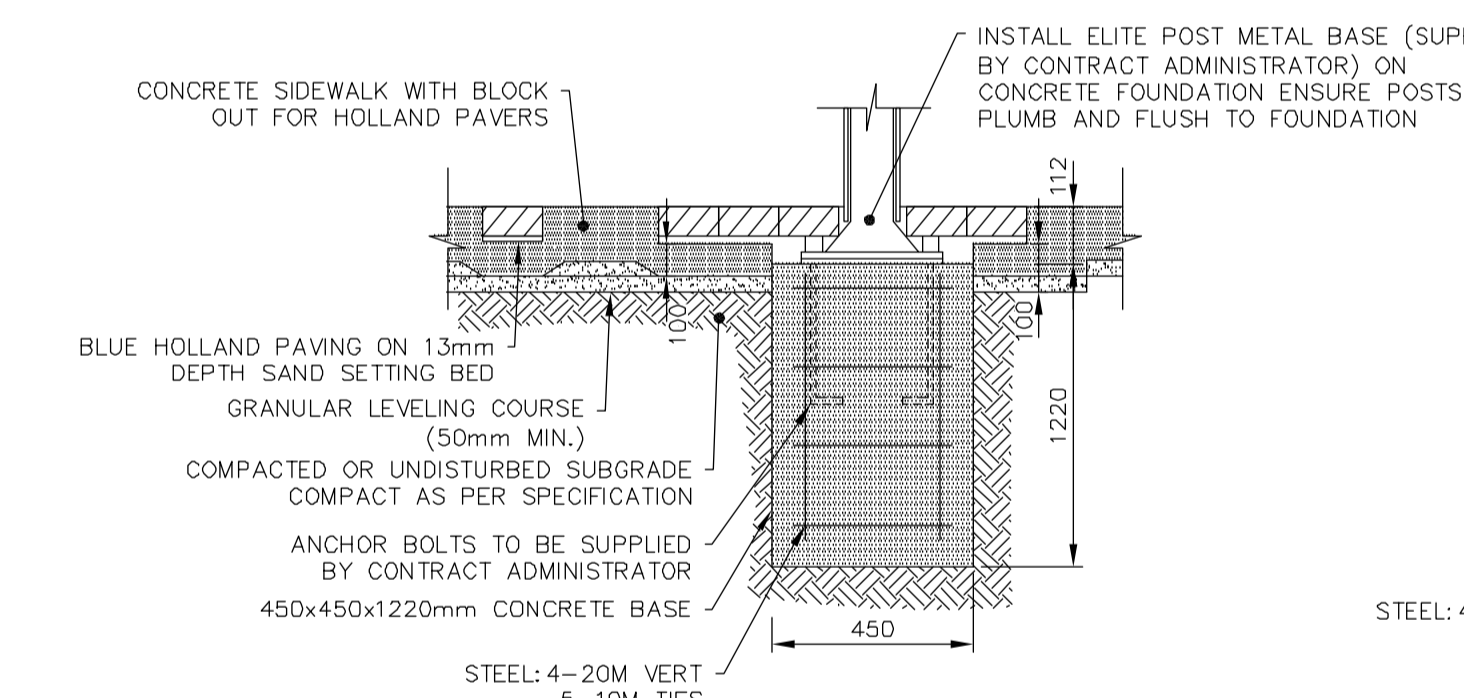
**SIDEWALK TYPICAL SECTION**

NTS



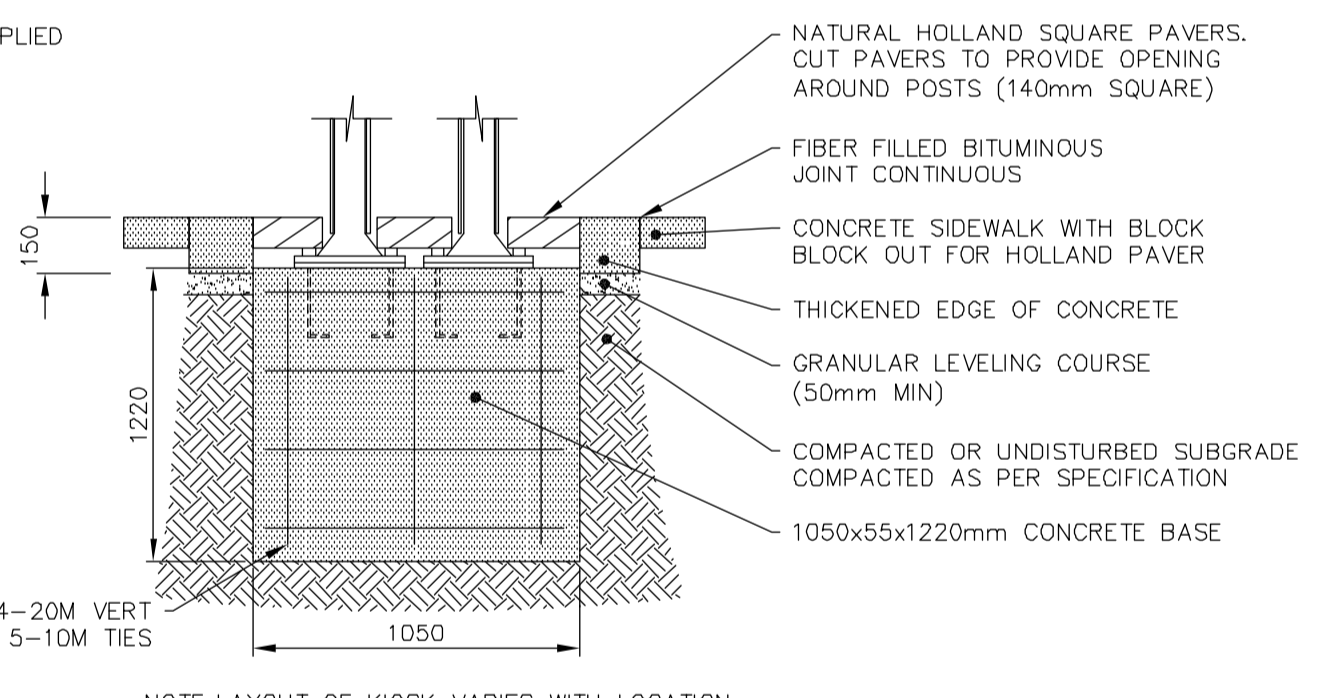
**DETAIL A BUS STOP BOARDING PLATFORM WITH SHELTER**

NTS



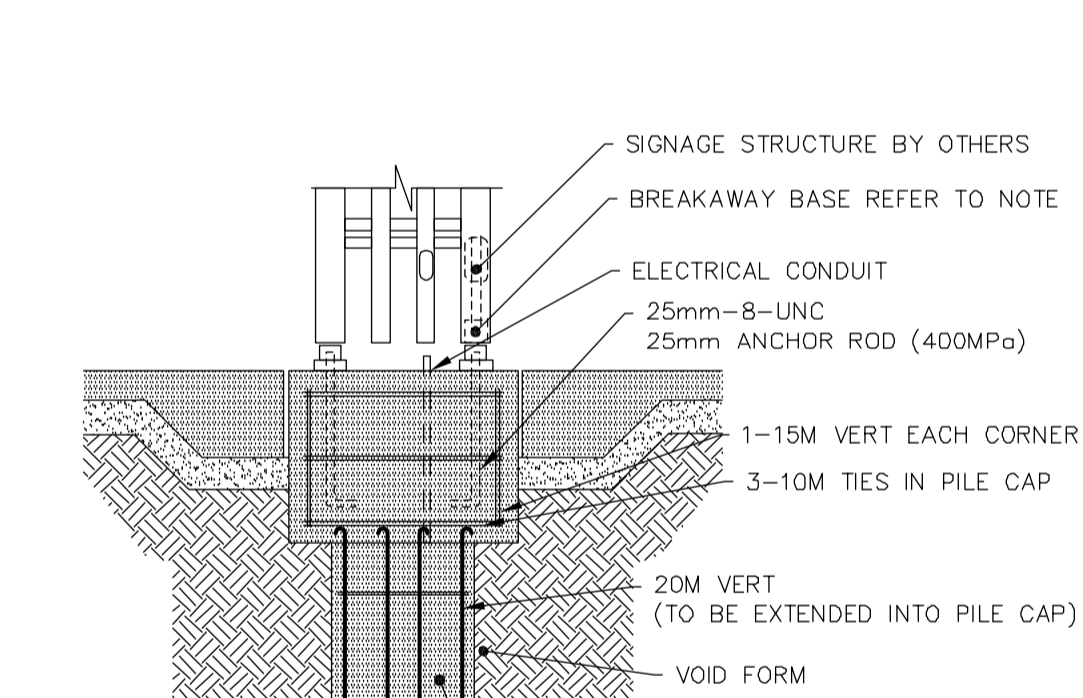
**DETAIL B BUS STOP FLAG FOUNDATION**

NTS



**DETAIL C INFORMATION KIOSK PAVERS**

NTS



**DETAIL D CONCRETE PILE AND CAP FOR ILLUMINATED SIGNAGE STRUCTURE**

NTS

**METRIC**  
WHOLE NUMBERS INDICATE MILLIMETRES  
DECIMALIZED NUMBERS INDICATE METRES

**APGM**  
Certificate of Authorization  
MMM Group Limited  
No. 4531

**FOR TENDER PURPOSES ONLY**

NOTE: These design documents are prepared solely for the use by the party with whom the design professional has entered into a contract and there are no representations of any kind made by the design professional to any party with whom the design professional has not entered into a contract.

<b>LOCATIONS APPROVED UNDERGROUND STRUCTURES</b> SIGNED BY: _____ DATE: _____ SUPV U/O STRUCTURES _____ DATE: _____		GUBM: _____ ELEV: 232.929 BENCHMARK LOCATION: LOCATED ON "0" OF OPEN ON HYDRANT, SOUTHEAST CORNER OF PEMBINA HIGHWAY AND DALY STREET NORTH	MMM Group Limited Suite 111 - 93 Lombard Ave. Winnipeg, MB R3B 3B1 T: 204.943.3178 F: 204.943.4848 www.mmm.ca		<b>THE CITY OF WINNIPEG</b> PUBLIC WORKS DEPARTMENT ENGINEERING DIVISION
DESIGNED BY: SQ/JP CHECKED BY: VM/TP DRAWN BY: HK/LT APPROVED BY: VM HOR. SCALE: NTS VERTICAL: - DATE: MARCH 2016	RELEASED FOR CONSTRUCTION: _____ DATE: _____	CONSULTANT ACAD.DWG. NO.: 5516006-C-20	CITY DRAWING NUMBER: _____ SHEET: 20 OF 27	BID NO.: 386-2016	

**PEMBINA HIGHWAY**  
FROM CARTER AVENUE TO OSBORNE STREET

**TYPICAL CROSS SECTION AND DETAILS**