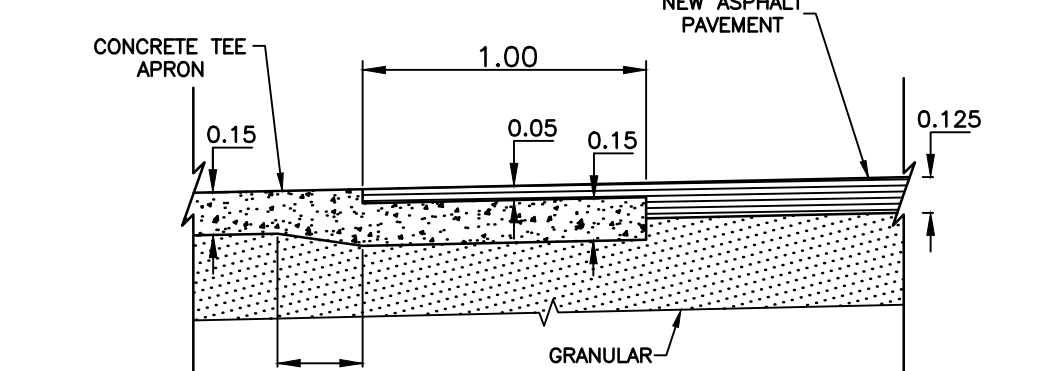
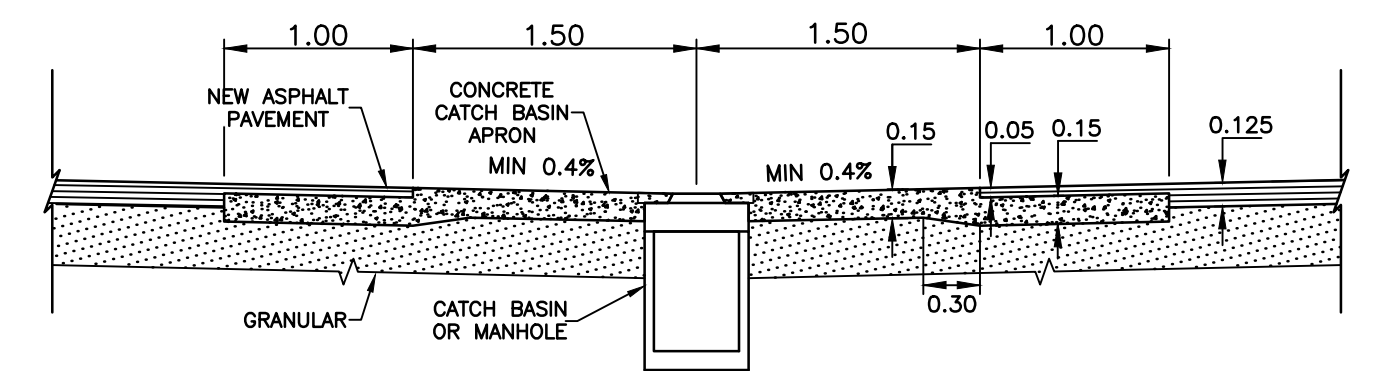
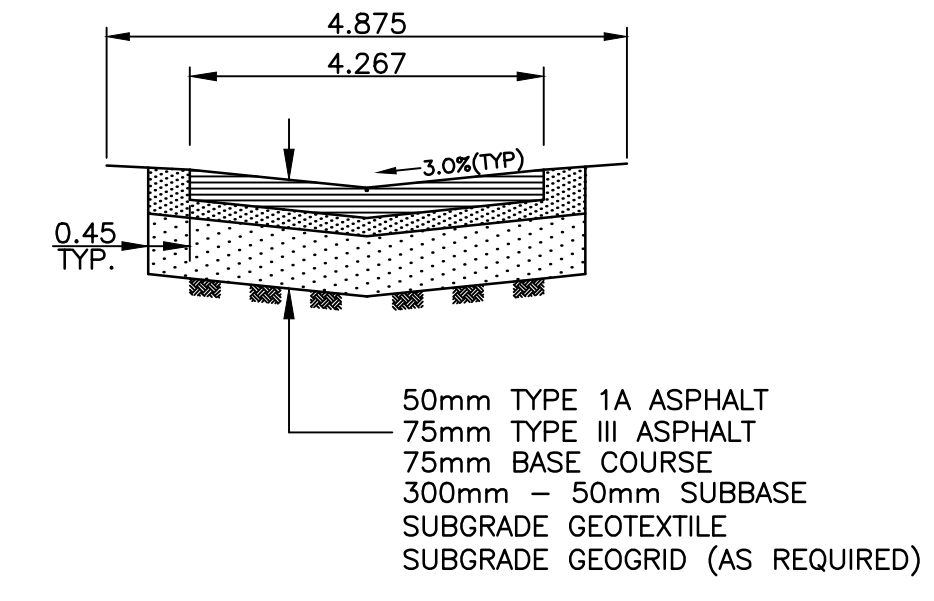
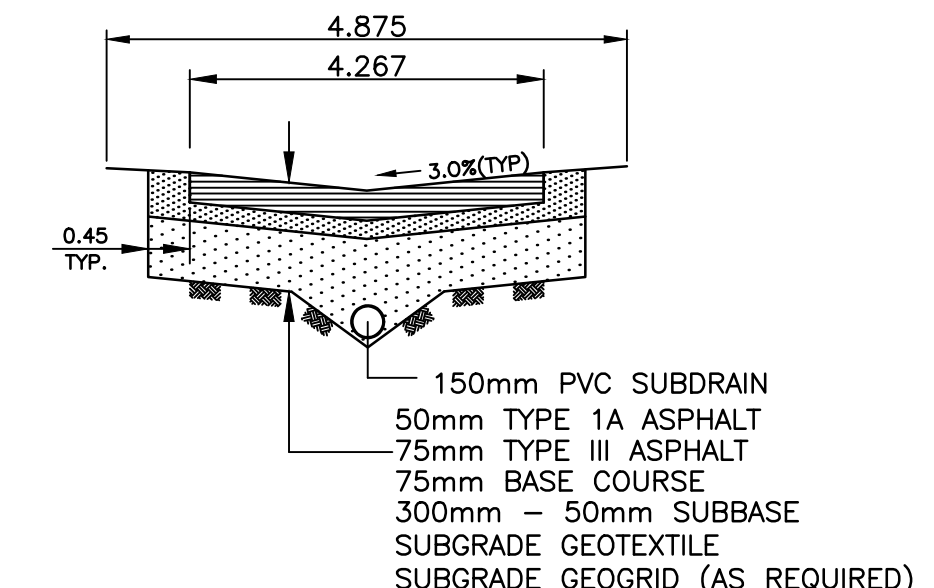
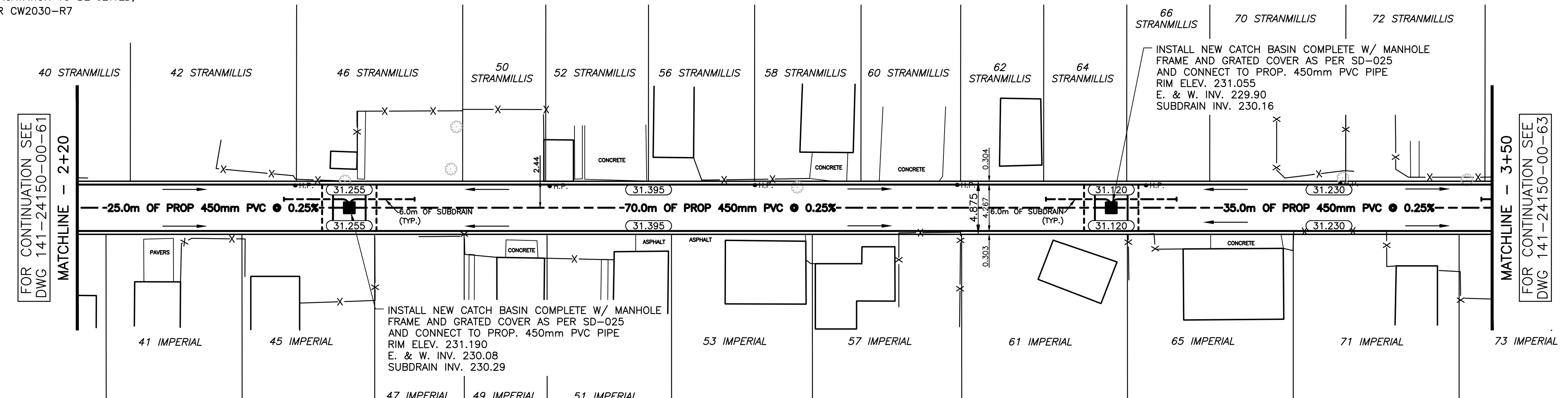


CHAINAGE ALONG Q. OF PUBLIC RIGHT-OF-WAY

STRANMILLIS AVENUE / IMPERIAL AVENUE

NOTES:

- ISOLATE EXISTING HYDRO POLES AS DIRECTED BY CONTRACT ADMINISTRATOR
- RENEW EXISTING APPROACHES AS DIRECTED BY CONTRACT ADMINISTRATOR
- ADDITIONAL EXCAVATION AND INSTALLATION OF SUBGRADE GEOGRID TO BE DETERMINED BY CONTRACT ADMINISTRATOR
- ADJUSTMENTS TO PROPOSED CROSSFALL, WHERE REQUIRED, ARE TO BE DETERMINED BY CONTRACT ADMINISTRATOR TO SUIT EXISTING DRIVEWAYS, APPROACHES, ETC.
- ALL LAND DRAINAGE SEWER EXCAVATION TO BE JETTED, FLOODED AND TAMPED AS PER CW2030-R7



"Description of property limits, and existing and/or proposed features relative to these limits as shown on this drawing do not represent a Legal Survey. WSP makes no representation or guarantee that the property limit information is accurate. WSP accepts no responsibility for damages, if any, suffered by any third party as a result of decisions made or actions based on this drawing."

<table border="1"> <tr> <th>EXISTING</th> <th>LEGEND - PLAN</th> <th>PROPOSED</th> <th>EXISTING</th> <th>LEGEND - PROFILE</th> <th>PROPOSED</th> </tr> <tr> <td></td> <td>WATERMAIN</td> <td></td> <td></td> <td>M.T.S.</td> <td></td> </tr> <tr> <td></td> <td>HYDRANT</td> <td></td> <td></td> <td>TRAFFIC SIGNAL</td> <td></td> </tr> <tr> <td></td> <td>VALVE</td> <td></td> <td></td> <td>CONCRETE/ASPHALT</td> <td></td> </tr> <tr> <td></td> <td>CURB STOP</td> <td></td> <td></td> <td>SIDEWALK</td> <td></td> </tr> <tr> <td></td> <td>WASTE WATER SEWER</td> <td></td> <td></td> <td>CURB RAMP</td> <td></td> </tr> <tr> <td></td> <td>LAND DRAINAGE SEWER</td> <td></td> <td></td> <td>PROPERTY LINE</td> <td></td> </tr> <tr> <td></td> <td>C.B. LEAD</td> <td></td> <td></td> <td>ELEVATIONS</td> <td></td> </tr> <tr> <td></td> <td>MANHOLE</td> <td></td> <td></td> <td>TEST HOLE LOCATION</td> <td></td> </tr> <tr> <td></td> <td>CATCH BASIN</td> <td></td> <td></td> <td>GAS</td> <td></td> </tr> <tr> <td></td> <td>HYDRO</td> <td></td> <td></td> <td>HYDRO</td> <td></td> </tr> </table>	EXISTING	LEGEND - PLAN	PROPOSED	EXISTING	LEGEND - PROFILE	PROPOSED		WATERMAIN			M.T.S.			HYDRANT			TRAFFIC SIGNAL			VALVE			CONCRETE/ASPHALT			CURB STOP			SIDEWALK			WASTE WATER SEWER			CURB RAMP			LAND DRAINAGE SEWER			PROPERTY LINE			C.B. LEAD			ELEVATIONS			MANHOLE			TEST HOLE LOCATION			CATCH BASIN			GAS			HYDRO			HYDRO		<table border="1"> <tr> <th>EXISTING</th> <th>LEGEND - PLAN</th> <th>PROPOSED</th> <th>EXISTING</th> <th>LEGEND - PROFILE</th> <th>PROPOSED</th> </tr> <tr> <td></td> <td>WATERMAIN</td> <td></td> <td></td> <td>WATERMAIN</td> <td></td> </tr> <tr> <td></td> <td>VALVE</td> <td></td> <td></td> <td>LAND DRAINAGE SEWER</td> <td></td> </tr> <tr> <td></td> <td>CURB STOP</td> <td></td> <td></td> <td>WASTE WATER SEWER</td> <td></td> </tr> <tr> <td></td> <td>WASTE WATER SEWER</td> <td></td> <td></td> <td>CENTERLINE</td> <td></td> </tr> <tr> <td></td> <td>LAND DRAINAGE SEWER</td> <td></td> <td></td> <td>SOUTH & EAST GUTTER</td> <td></td> </tr> <tr> <td></td> <td>C.B. LEAD</td> <td></td> <td></td> <td>NORTH & WEST GUTTER</td> <td></td> </tr> <tr> <td></td> <td>MANHOLE</td> <td></td> <td></td> <td>S. & E. PAD/GARG.</td> <td></td> </tr> <tr> <td></td> <td>CATCH BASIN</td> <td></td> <td></td> <td>N. & W. PAD/GARG.</td> <td></td> </tr> </table>	EXISTING	LEGEND - PLAN	PROPOSED	EXISTING	LEGEND - PROFILE	PROPOSED		WATERMAIN			WATERMAIN			VALVE			LAND DRAINAGE SEWER			CURB STOP			WASTE WATER SEWER			WASTE WATER SEWER			CENTERLINE			LAND DRAINAGE SEWER			SOUTH & EAST GUTTER			C.B. LEAD			NORTH & WEST GUTTER			MANHOLE			S. & E. PAD/GARG.			CATCH BASIN			N. & W. PAD/GARG.	
EXISTING	LEGEND - PLAN	PROPOSED	EXISTING	LEGEND - PROFILE	PROPOSED																																																																																																																				
	WATERMAIN			M.T.S.																																																																																																																					
	HYDRANT			TRAFFIC SIGNAL																																																																																																																					
	VALVE			CONCRETE/ASPHALT																																																																																																																					
	CURB STOP			SIDEWALK																																																																																																																					
	WASTE WATER SEWER			CURB RAMP																																																																																																																					
	LAND DRAINAGE SEWER			PROPERTY LINE																																																																																																																					
	C.B. LEAD			ELEVATIONS																																																																																																																					
	MANHOLE			TEST HOLE LOCATION																																																																																																																					
	CATCH BASIN			GAS																																																																																																																					
	HYDRO			HYDRO																																																																																																																					
EXISTING	LEGEND - PLAN	PROPOSED	EXISTING	LEGEND - PROFILE	PROPOSED																																																																																																																				
	WATERMAIN			WATERMAIN																																																																																																																					
	VALVE			LAND DRAINAGE SEWER																																																																																																																					
	CURB STOP			WASTE WATER SEWER																																																																																																																					
	WASTE WATER SEWER			CENTERLINE																																																																																																																					
	LAND DRAINAGE SEWER			SOUTH & EAST GUTTER																																																																																																																					
	C.B. LEAD			NORTH & WEST GUTTER																																																																																																																					
	MANHOLE			S. & E. PAD/GARG.																																																																																																																					
	CATCH BASIN			N. & W. PAD/GARG.																																																																																																																					

LOCATION APPROVED UNDERGROUND STRUCTURES		
SUPV. U/G STRUCTURES	DATE	
COMMITTEE		
NOTE:		
LOCATION OF UNDERGROUND STRUCTURES AS SHOWN ARE BASED ON THE BEST INFORMATION AVAILABLE BUT NO GUARANTEE IS GIVEN THAT ALL EXISTING UTILITIES ARE SHOWN OR THAT THE GIVEN LOCATIONS ARE EXACT. CONFIRMATION OF EXISTENCE AND EXACT LOCATION OF ALL SERVICES MUST BE OBTAINED FROM THE INDIVIDUAL UTILITIES BEFORE PROCEEDING WITH CONSTRUCTION.		
B.M. ELEV.		
2	ISSUE FOR TENDER	2016/05/27 R.H.
1	COW REVIEW	MM/16 K.G.
NO.	REVISIONS	DATE BY

WSP
 1600 BUFFALO PLACE
 WINNIPEG, MB, R3T 6B8
 PHONE: 204-477-6650
 FAX: 204-474-2864
 WWW.WSPGROUP.COM

DESIGNED BY: K.G. CHECKED BY: R.H.
 DRAWN BY: K.G. APPROVED BY: I.McK.
 HOR. SCALE: 1:250 RELEASED FOR CONSTRUCTION: ---
 VERT. SCALE: 1:25
 DATE: APRIL 2016

CONSULTANT DRAWING NO. 141-24150-00-62

Winnipeg
 THE CITY OF WINNIPEG
 PUBLIC WORKS DEPARTMENT

2016 LOCAL IMPROVEMENTS - CONTRACT 3
 STRANMILLIS AVENUE / IMPERIAL AVENUE LANE
 FROM STA. 2+20 TO STA. 3+50
 ASPHALT PAVEMENT

CITY DRAWING NO. SHEET 2 OF 3
 388-2016