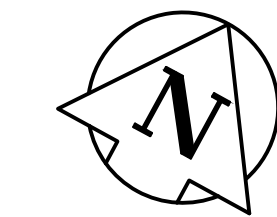


NOTES:

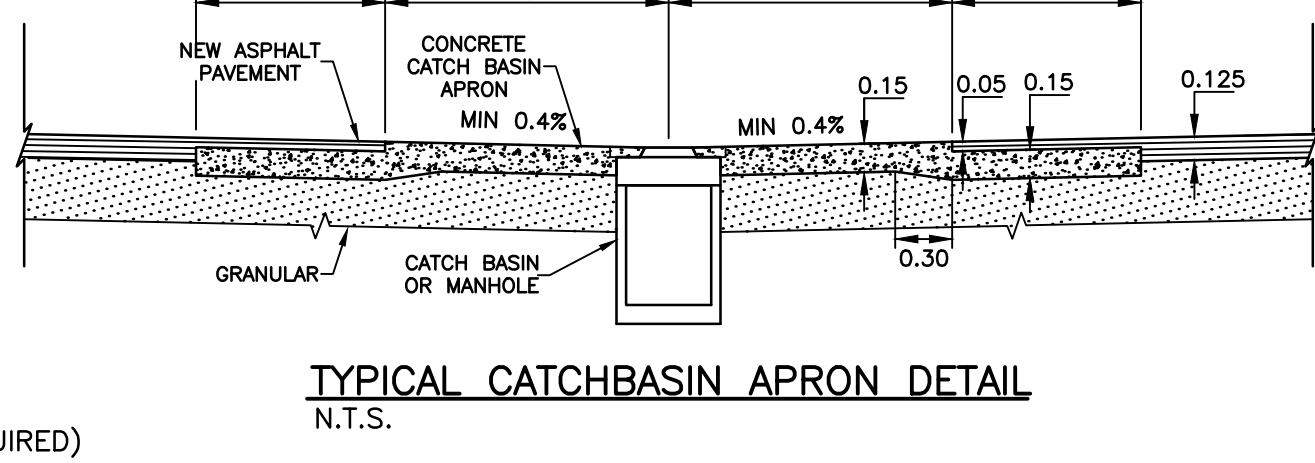
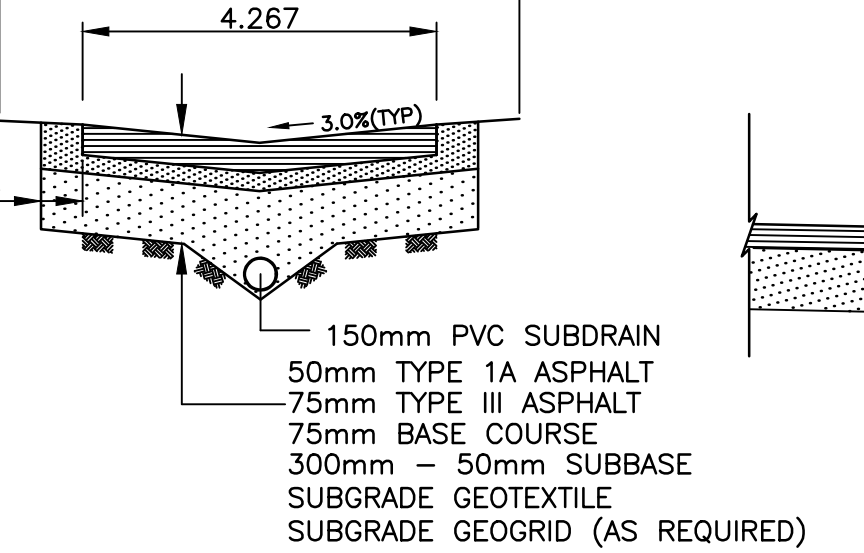
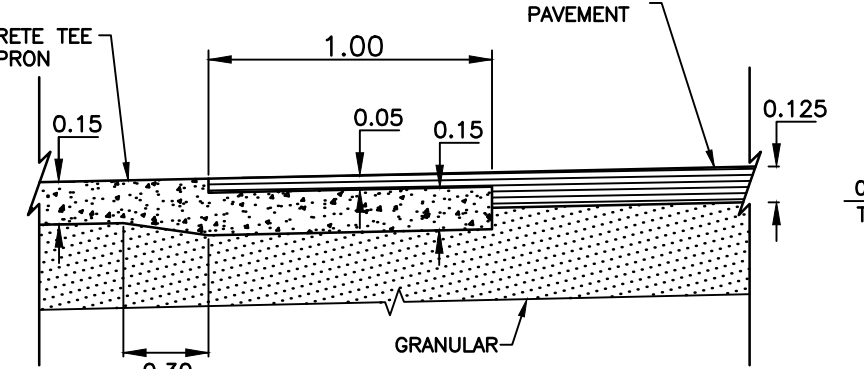
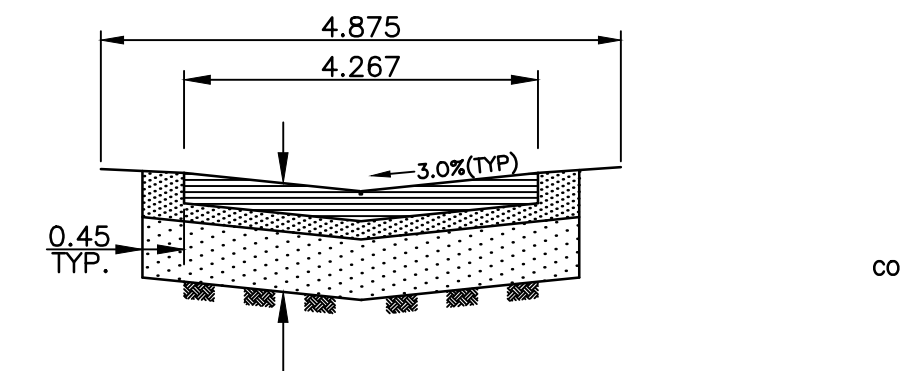
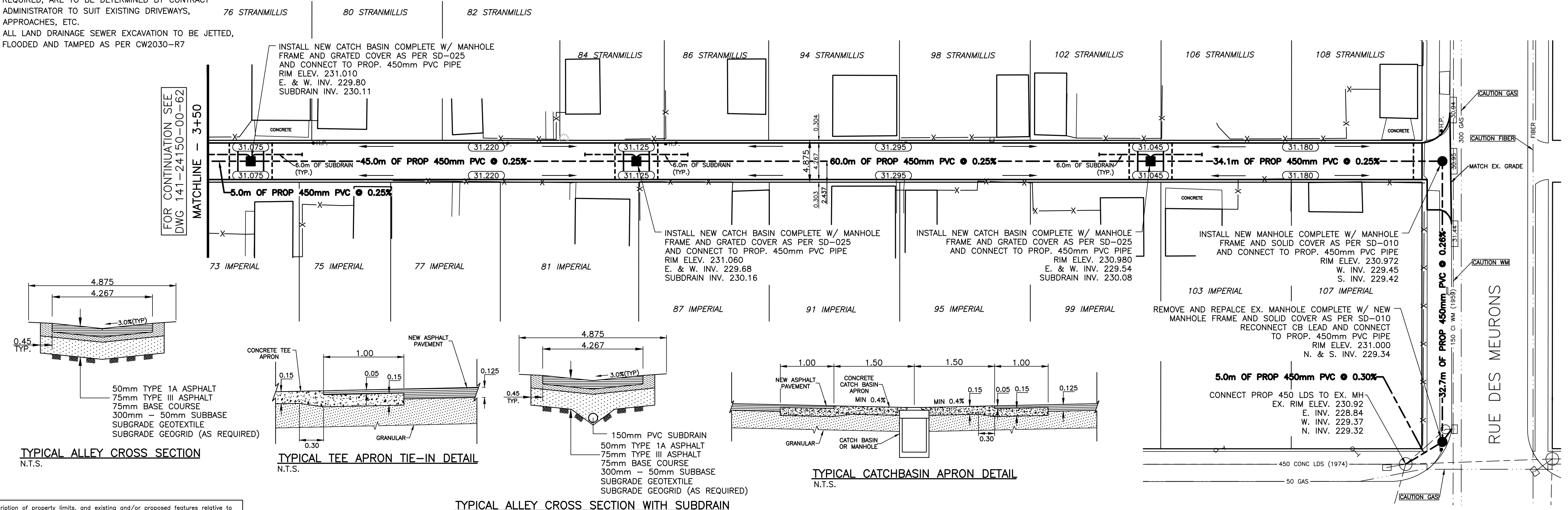
- ISOLATE EXISTING HYDRO POLES AS DIRECTED BY CONTRACT ADMINISTRATOR
- RENEW EXISTING APPROACHES AS DIRECTED BY CONTRACT ADMINISTRATOR
- ADDITIONAL EXCAVATION AND INSTALLATION OF SUBGRADE GEOGRID TO BE DETERMINED BY CONTRACT ADMINISTRATOR
- ADJUSTMENTS TO PROPOSED CROSSFALL, WHERE REQUIRED, ARE TO BE DETERMINED BY CONTRACT ADMINISTRATOR TO SUIT EXISTING DRIVEWAYS, APPROACHES, ETC.
- ALL LAND DRAINAGE SEWER EXCAVATION TO BE JETTED, FLOODED AND TAMPED AS PER CW2030-R7

CHAINAGE ALONG C OF PUBLIC RIGHT-OF-WAY

STRANMILLIS AVENUE / IMPERIAL AVENUE



APEGM
 Certificate of Authorization
 WSP Canada Inc.
 No. 5750 Date: Month DD, YYYY



"Description of property limits, and existing and/or proposed features relative to these limits as shown on this drawing do not represent a Legal Survey. WSP makes no representation or guarantee that the property limit information is accurate. WSP accepts no responsibility for damages, if any, suffered by any third party as a result of decisions made or actions based on this drawing."

EXISTING	LEGEND - PLAN	PROPOSED	EXISTING	LEGEND - PROFILE	PROPOSED
—○—	WATERMAIN	—●—	—○—	M.T.S.	—○—
—◇—	HYDRANT	—◇—	—◇—	TRAFFIC SIGNAL	—◇—
—▽—	VALVE	—▽—	—▽—	CONCRETE/ASPHALT	—▽—
—□—	CURB STOP	—□—	—□—	SIDEWALK	—□—
—○—	WASTE WATER SEWER	—○—	—○—	CURB RAMP	—○—
—○—	LAND DRAINAGE SEWER	—○—	—○—	PROPERTY LINE	—○—
—○—	C.B. LEAD	—○—	—○—	ELEVATIONS	—○—
—○—	MANHOLE	—○—	—○—	TEST HOLE LOCATION	—○—
—○—	CATCH BASIN	—○—	—○—		
—○—	GAS	—○—	—○—		
—○—	HYDRO	—○—	—○—		

WATERMAIN	VALVE	WATERMAIN	VALVE
—○—	—◇—	—○—	—◇—
—◇—	—▽—	—◇—	—▽—
—□—	—□—	—□—	—□—
—○—	—○—	—○—	—○—
—○—	—○—	—○—	—○—
—○—	—○—	—○—	—○—
—○—	—○—	—○—	—○—
—○—	—○—	—○—	—○—
—○—	—○—	—○—	—○—
—○—	—○—	—○—	—○—

LOCATION APPROVED UNDERGROUND STRUCTURES

SUPV. U/G STRUCTURES DATE COMMITTEE

NOTE:
 LOCATION OF UNDERGROUND STRUCTURES AS SHOWN ARE BASED ON THE BEST INFORMATION AVAILABLE BUT NO GUARANTEE IS GIVEN THAT ALL EXISTING UTILITIES ARE SHOWN OR THAT THE GIVEN LOCATIONS ARE EXACT. CONFIRMATION OF EXISTENCE AND EXACT LOCATION OF ALL SERVICES MUST BE OBTAINED FROM THE INDIVIDUAL UTILITIES BEFORE PROCEEDING WITH CONSTRUCTION.

WSP
 1600 BUFFALO PLACE
 WINNIPEG, MB, R3T 6B8
 PHONE: 204-477-6650
 FAX: 204-474-2864
 WWW.WSPGROUP.COM

ENGINEERS SEAL

DESIGNED BY: K.G. CHECKED BY: R.H.
 DRAWN BY: K.G. APPROVED BY: I.McK.
 HOR. SCALE: 1:250
 VERT. SCALE: 1:25
 RELEASED FOR CONSTRUCTION: ---
 DATE: APRIL 2016

CONSULTANT DRAWING NO. 141-24150-00-63

THE CITY OF WINNIPEG
 PUBLIC WORKS DEPARTMENT

2016 LOCAL IMPROVEMENTS - CONTRACT 3
 STRANMILLIS AVENUE / IMPERIAL AVENUE LANE
 FROM STA. 3+50 TO RUE DES MEURONS
 ASPHALT PAVEMENT

CITY DRAWING NO. SHEET 3 OF 3
 388-2016