

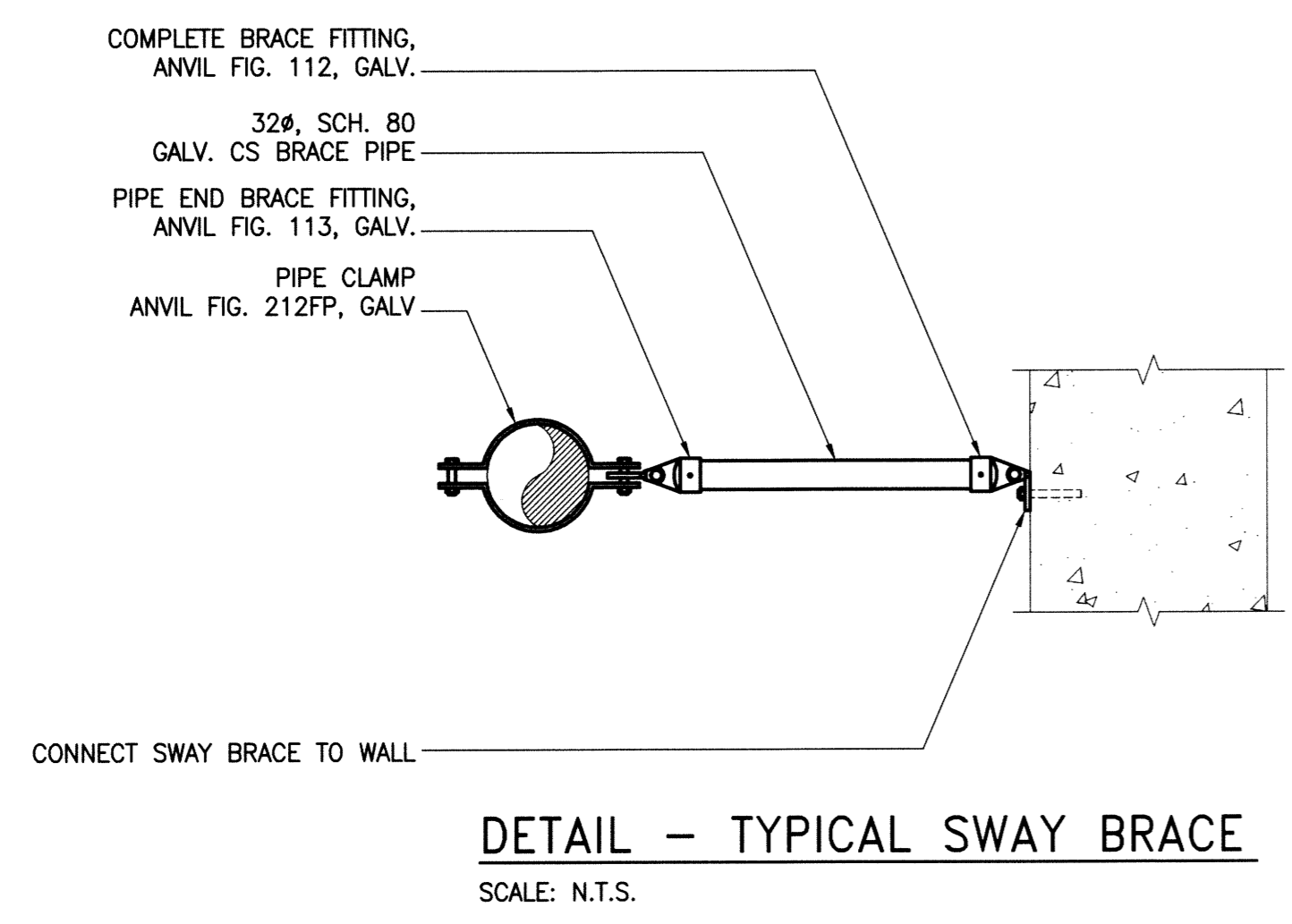
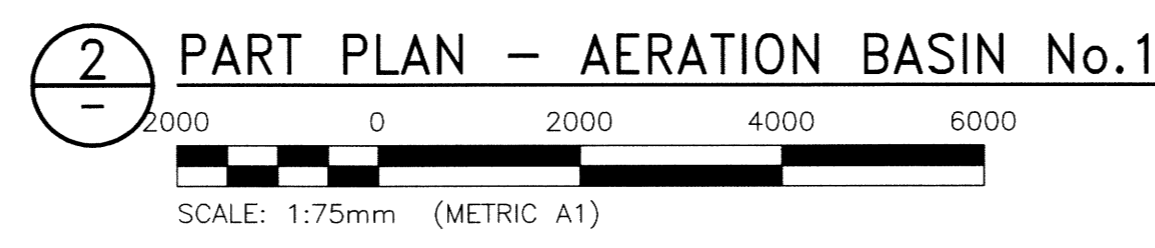
GENERAL NOTES:
 1. REFER TO DRAWING M14 FOR GENERAL NOTES.

CONSTRUCTION PHASE 1

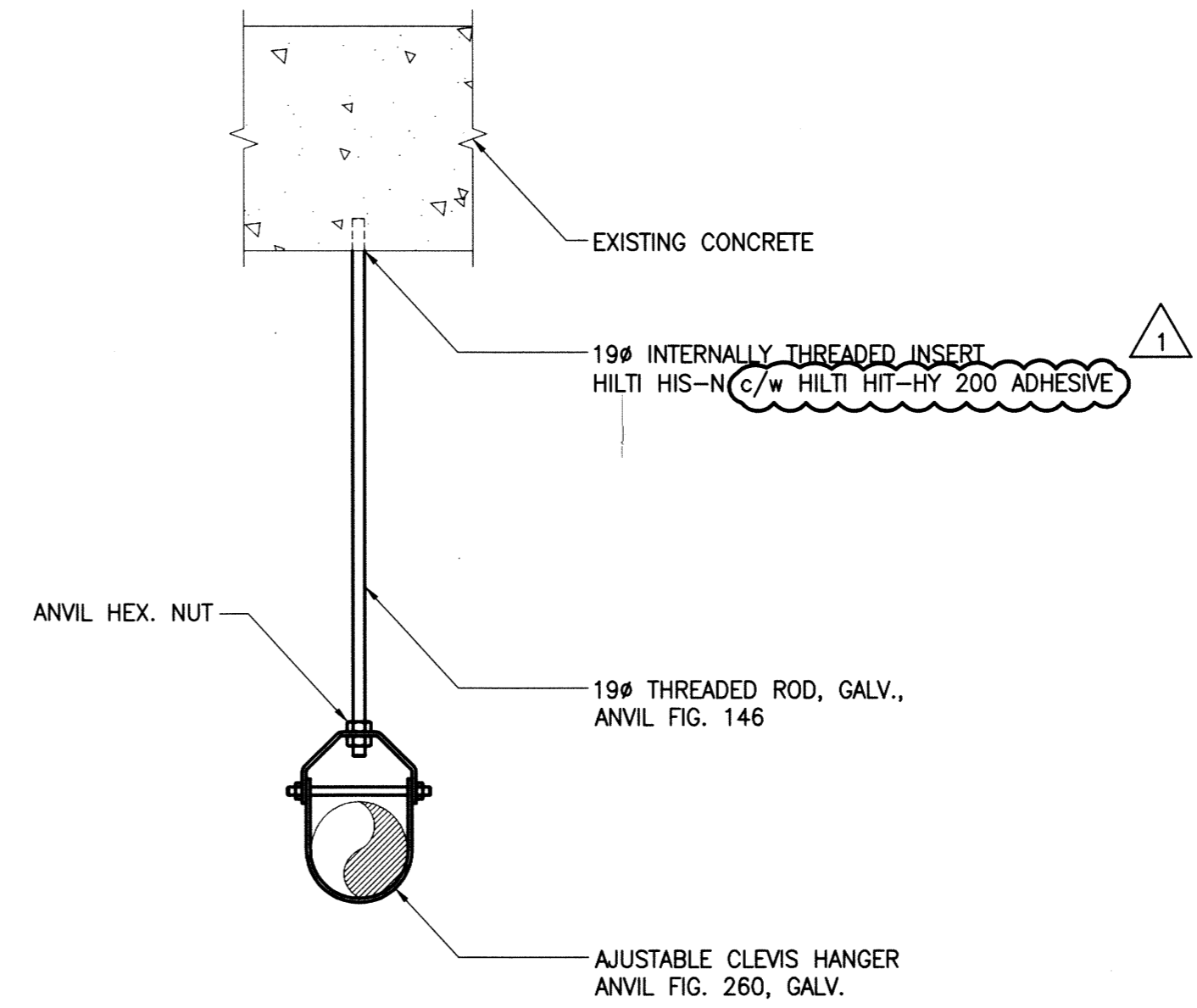
- KEYNOTES:**
- 1. CONNECT TO EXISTING 50# FW LINE.
 - 2. CONNECT TO EXISTING 50# FW LINE UPSTREAM OF PRESSURE REGULATING VALVE.
 - 3. INSTALL NEW 250# FW HEADER IN SAME LOCATION AS EXISTING HEADER. REMOVE PICKUP SUPPORTS ON THE EXISTING 250# FW HEADER BETWEEN GRID LINES S6 AND S11 AND PROVIDE TEMPORARY SUPPORT OF EXISTING PIPING. REINSTALL PICKUP SUPPORTS FOLLOWING INSTALLATION OF NEW 250# FW HEADER.
 - 4. FIELD ROUTE 150# TEMPORARY FW HEADER. SUPPORT HEADER ON NEW HANGERS EVERY 5m, AT CONCENTRATED LOADS AND AT CHANGES IN DIRECTION. SUPPORT PIPING ALONG BIOREACTOR 1 ON WELDED STEEL BRACKETS (ANVIL FIG. 195) FASTENED TO WALL. REMOVE PIPE SUPPORTS FOLLOWING PIPE REMOVAL.

CONT. ON DWG. 1-0103S-M0037-001

CONT. ON DWG. 1-0103S-M0038-002



DETAIL - TYPICAL SWAY BRACE
 SCALE: N.T.S.



DETAIL - TYPICAL PIPE HANGER
 SCALE: N.T.S.

METRIC
 WHOLE NUMBERS INDICATE MILLIMETRES
 DECIMALIZED NUMBERS INDICATE METRES



FIELD BOOK #:	
POSTED TO LBIS	
1	RE-ISSUED FOR CONSTRUCTION 16/05/16 JS
0	ISSUED FOR CONSTRUCTION 16/05/09 JS
NO.	REVISIONS DATE BY

KGS GROUP CONSULTING ENGINEERS	
DESIGNED BY JS	CHECKED BY MSK
DRAWN BY JFS	APPROVED BY JS
HOR. SCALE AS NOTED	RELEASED FOR CONSTRUCTION
VERTICAL AS NOTED	
DATE 2016 02 22	DATE 2016 05 09

ENGINEER'S SEAL

M15

THE CITY OF WINNIPEG
 WATER AND WASTE DEPARTMENT

WEWPCC FW PIPE REPLACEMENT

MECHANICAL
 AERATION BASIN No.1 - FW PIPING - PLAN

SHEET 1 OF 2
 CITY DRAWING NUMBER
 1-0103S-M0038-001