

FORM A: BID
(See B8)

1. Contract Title SUPPLY AND DELIVERY OF SKID STEER LOADERS

2. Bidder

Name of Bidder

Usual Business Name of Bidder as it appears on Invoice (if different from above)

Street

City

Province

Postal Code

Email Address of Bidder

Facsimile Number

(Mailing address if different)

Street or P.O. Box

City

Province

Postal Code

GST Registration Number (if applicable)

The Bidder is:

(Choose one)

a sole proprietor

a partnership

a corporation

carrying on business under the above name.

3. Contact Person

The Bidder hereby authorizes the following contact person to represent the Bidder for purposes of the Bid.

Contact Person

Title

Telephone Number

Facsimile Number

Email Address

4. Definitions

All capitalized terms used in the Contract shall have the meanings ascribed to them in the General Conditions and D3.

5. Offer The Bidder hereby offers to perform the Work in accordance with the Contract for the price(s), in Canadian funds, set out on Form B: Prices, appended hereto.

6. Commencement of the Work The Bidder agrees that no Work shall commence until he/she is in receipt of a notice of award from the Award Authority authorizing the commencement of the Work.

7. Contract The Bidder agrees that the Bid Opportunity in its entirety shall be deemed to be incorporated in and to form a part of this offer notwithstanding that not all parts thereof are necessarily attached to or accompany this Bid.

8. Addenda The Bidder certifies that the following addenda have been received and agrees that they shall be deemed to form a part of the Contract:

No.	Dated
_____	_____
_____	_____
_____	_____

9. Time This offer shall be open for acceptance, binding and irrevocable for a period of sixty (60) Calendar Days following the Submission Deadline.

10. Signatures The Bidder or the Bidder's authorized official or officials have signed this _____ day of _____, 20_____.

Signature of Bidder or
Bidder's Authorized Official or Officials

(Print here name and official capacity of individual whose signature appears above)

(Print here name and official capacity of individual whose signature appears above)

FORM B: PRICES
 (See B9)

SUPPLY AND DELIVERY OF SKID STEER LOADERS

UNIT PRICES

ITEM NO.	DESCRIPTION	SPEC. REF.	UNIT	QUANTITY	UNIT PRICE
1.	85HP Skid Steer Loader	16028	Each	2	
2.	Option 1: Attachments	16028	Each		
	a) 84" Combination Bucket			2	_____
	b) 84" Snow Blower			2	_____
	c) 84" Grapples Brush (Utility)			2	_____
	d) Pallet Fork and 48" Tines			2	_____
	e) 84" Angle Broom			2	_____
	f) 96" Snow Bucket			2	_____

 Name of Bidder

FORM N: DETAILED SPECIFICATIONS 16028

SKID STEER LOADER

1.0 DESCRIPTION OF EQUIPMENT

- 1.1 These specifications describe a **Skid Steer Loader** and other equipment and features as specified herein.
- 1.2 The **Skid Steer Loader** shall be a new 2016 model year or newer.
- 1.3 The **Skid Steer Loader** and all other items/components shall be the manufacturer's latest model. The equipment shall be furnished complete and ready for operation. Any parts or accessories not specifically mentioned, but which are required to complete and place the equipment and associated attachments in successful operation shall be furnished as though specifically mentioned in these specifications. The equipment and associated attachments, and all parts thereof, shall conform in strength and quality of material and workmanship, to the best standards and engineering practice of the industry.
- 1.4 It will be the responsibility of the Bidder to inform the City of any errors or omissions in these specifications, for under this Contract the Contractor shall be held responsible for the satisfactory operational function of the equipment.

2.0 OTHER SPECIFICATIONS AND STANDARDS

- 2.1 All applicable SAE standards form an integral part of these specifications and shall have precedence in any conflict concerning minimum acceptable standards.
- 2.2 The **Skid Steer Loader** shall comply with the applicable regulations:

National Safety Mark, NSM = <http://www.tc.gc.ca/eng/acts-regulations/acts-road.htm>

Manitoba Safety and Health Act, Parts 12, 22 =
<http://web2.gov.mb.ca/laws/statutes/ccsm/w210e.php> and <http://www.gov.mb.ca/labour/safety/>

Canadian Standards Association, CSA = <http://www.csa.ca/about/Default.asp?language=english>

Under Writers of Canada, U/L = <http://www.ulc.ca/>

Society of Automotive Engineers, SAE = <http://www.sae.org/>

City of Winnipeg Lighting Visibility
Standard=<http://winnipeg.ca/matmgt/pdfs/PublicWorksEquipLightingVisibility.pdf>.

- 2.3 It will be the responsibility of the Bidder to inform the City of any deficiencies in these specifications, for under this Contract the Contractor shall be held responsible for the design, performance, reliability and satisfactory operational function of the units.

3.0 SERVICE FACILITY

- 3.1 For the purpose of warranty repairs, the Bidder shall have an authorized service facility located within 10 km of the boundaries of the City of Winnipeg. The facility, or a portion thereof, shall be dedicated to the service and maintenance of the type equipment being offered. Further to B9.1, Bidders shall provide a description of the service facility including, but not limited to, number of qualified service staff, years of service experience, and general service capabilities within three (3) Business Days upon request of the Contract Administrator.

4.0 REFERENCES

- 4.1 Provide five (5) Canadian references where this equipment is used in a working environment where climatic conditions are similar to the City of Winnipeg.

5.0 MAKE & MODEL

- 5.1 **State** make and model of the equipment bid- _____

6.0 INSTRUCTIONS FOR COMPLETION OF SPECIFICATIONS

- 6.1 Each bid will be evaluated based on adherence to all terms, conditions and requirements outlined in the Bid Opportunity package.

- 6.2 All items in these specifications must be answered indicating compliance or non-compliance. **BIDDERS SHALL STATE "YES" FOR COMPLIANCE OR STATE DEVIATION**, or give reply where requested to do so. Deviations shall be clearly stated and fully detailed. Alternatives will be considered subject to evaluation.

- 6.3 **EACH BIDDER IS REQUIRED TO FILL IN EVERY BLANK. FAILURE TO DO SO MAY BE USED AS A BASIS FOR REJECTION OF BID**

7.0 PERFORMANCE RELIABILITY

- 7.1 The responsibility for the design of the **Skid Steer Loader**, its performance and reliability shall rest upon the Contractor.

- 7.2 The term "repeated failures" as used herein is defined to mean that the same component, subassembly, or assembly develops repeated defects, breakdowns and/or malfunctions rendering the vehicle inoperative, or requiring repeated shop correction, service and/or replacement during the warranty period applicable for said component, subassembly, of assembly. Minor items or ordinary service adjustments are not included, or considered under the scope of "repeated failures", as well as other factors, such as operational damage due to accidents, misuse or lack of proper maintenance, service and lubrication attention by not following the manufacturer's preventative maintenance schedule.

- 7.3 Where the **Skid Steer Loader** develops "repeated failures" in service, the Contractor shall make any necessary engineering changes, repairs, alterations or modifications in order to guarantee reliability of performance.

- 7.4 The equipment shall be capable of consistent top performance in City of Winnipeg Environment. Note: The City of Winnipeg has four seasons with ambient temperatures ranging from approximately 90°F (32°C) to -40°F (-40°C)

8.0 FUEL

- 8.1 Where applicable, all equipment must be fully fuelled upon delivery (no exceptions).

9.0 QUALIFICATIONS OF MANUFACTURER & CONTRACTOR

- 9.1 The manufacturer of the **Skid Steer Loader** shall have five (5) years continuous experience manufacturing the equipment.
- 9.2 The manufacturer shall have in effect a documented quality control program ensuring that the quality of materials and workmanship, including welding, conforms to the best standards and engineering practice of the industry.
- 9.3 The Contractor shall have five (5) years continuous experience servicing, repairing and maintaining **Skid Steer Loader** of the type being offered.

10.0 SPECIFICATIONS

ENGINE

- | | | | |
|------|----------------------|--|-------|
| 10.1 | Engine make & model | State | _____ |
| 10.2 | Engine specification | Diesel, Emissions Tier IV Diesel Interim or Final, must meet current Emission Standards. | _____ |
| 10.3 | Horse Power | Net 84-90 hp. State | _____ |
| 10.4 | Torque | State | _____ |
| 10.5 | Engine Aspiration | State | _____ |
| 10.6 | Number of cylinders | State | _____ |
| 10.7 | Engine Block Heater | Cold weather operation | _____ |

ELECTRICAL

- | | | | |
|------|------------|--|-------|
| 10.8 | Alternator | Approx. 90 amp, State | _____ |
| 10.9 | Battery | Heavy Duty approx. 850 CCA, State | _____ |

FUEL

- | | | | |
|-------|---------------|-------------------------------|-------|
| 10.10 | Fuel capacity | Approx. 23 gal., State | _____ |
|-------|---------------|-------------------------------|-------|

HYDRAULICS

- | | | | |
|-------|-------------------------------------|--------------------------------|-------|
| 10.11 | GPM pump flow | High flow pump, approx. 33 gpm | _____ |
| 10.12 | Cold operation rated | With self-leveling | _____ |
| 10.13 | Integrated Hydraulic quick couplers | Approx. 3500psi | _____ |

DRIVE SYSTEM

- | | | | |
|-------|----------------------|---|-------|
| 10.14 | Drive train | Hydrostatic | _____ |
| 10.15 | Transmission | Two (2) speed | _____ |
| 10.16 | Tires, non pneumatic | Solid type, R4 tread, State size | _____ |

DIMENSIONS

10.17	Length	Approx. 115 in. without attachment, state	_____
10.18	Length	With Bucket approx. 141 in., state	_____
10.19	Height	Top of ROPS approx. 80 in.	_____
10.20	Height	To bucket hinge pin at maximum lift approx. 130 in.	_____
10.21	Width	Without bucket approx. 72 in., State	_____
10.22	Width	With bucket approx.84 in., State	_____
10.23	Operating weight	Approx. 8500 lbs., State	_____
10.24	Turning radius	Approx. 85-90 in.,	_____
10.25	Dump Reach	Reach at maximum dump height approx. 30-32 in.	_____

PERFORMANCE

10.26	Tipping load	Approx. 6000 lbs.	_____
10.27	Operating capacity (50% of tip)	Approx. 3000 lbs.	_____
10.28	Heaped bucket capacity	State capacity and size of bucket for Comparison reference	_____
10.29	Rated operating capacity SAE	3000 lbs.	_____
10.30	Travel speed	Two (2) speed capable of approx. 7-12 mph	_____

SAFETY

10.31	In cab boom lock	Preferred but not required, State	_____
10.32	ROPS and FOPS	State ISO Standard, State FOPS Level of certification	_____
10.33	Seat Belt	Three (3)-point (lap belt not acceptable)	_____
10.34	Grab handles	Entry/exit area	_____
10.35	Fire Extinguisher	Five (2.5) lbs. High volume ABC type, State location	_____
10.36	Back up alarm	State dB	_____
10.37	Safety lighting	Make and Model: Whelen L31HABF Series Super-LED, SAE Class 1 (or equivalent) Blue/Amber (individual control) Low Dome Beacon, permanent mount on top of ROPS and wired to the ignition.	_____

10.38	Signals	Safety flasher and turn signals	_____
10.39	Slow moving sign	Slow-moving vehicle warning triangle	_____

OPERATOR STATION

10.40	Operation	Joystick, control. Switchable between ISO and H-Pattern	_____
10.41	Arm rests	Adjustable	_____
10.42	Antitheft system	State type	_____
10.43	Windows	Front, rear and side windows, made from tempered safety glass	_____
10.44	Windshield wiper	Front windshield wiper provided with a windshield washer system	_____
10.45	Heat and air conditioning	With pressurized cab	_____
10.46	Seat belt	Seat belt with shoulder harness	_____
10.47	Sound deadening	Sound proof package	_____
10.48	Seat	Suspension seat with arm rests	_____
10.49	Horn	Operator controlled	_____
10.50	Mirrors	Rear view mirror(s)	_____
10.51	Windows	Side windows	_____
10.52	Fuel cap	Locking	_____
10.53	Parking brake	Spring applied, hydraulically released	_____
10.54	Radio	AM/FM/CD or MP3	_____

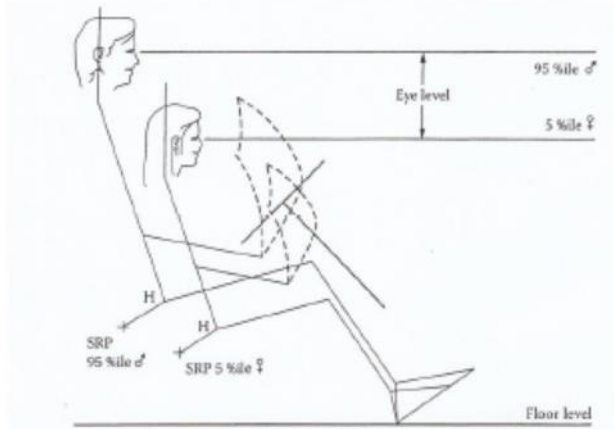
Note: Attachments to be priced only as indicated on Form B: Prices.
 Option 1: Attachments

ATTACHMENTS

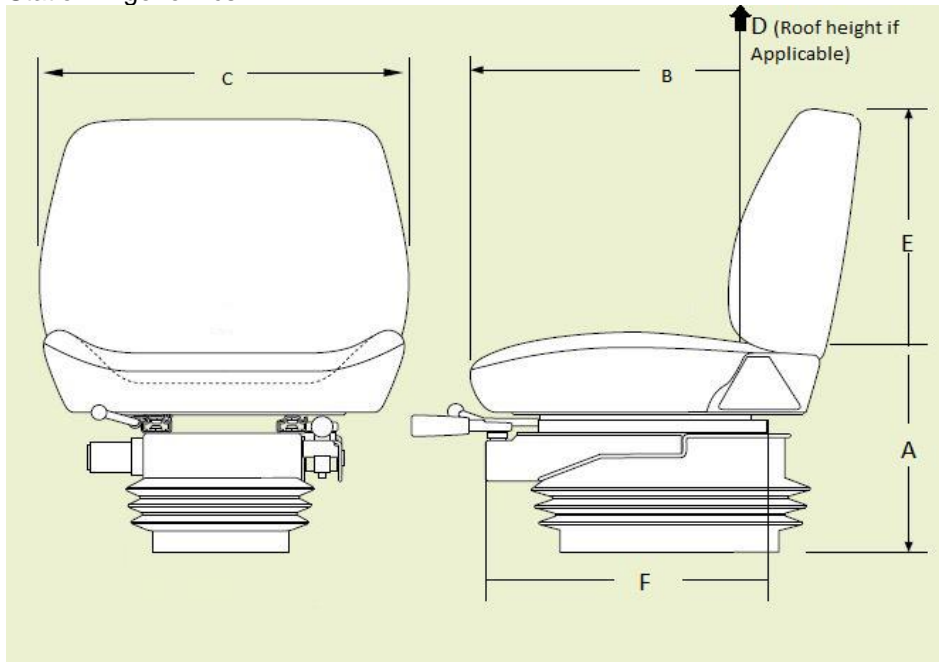
10.55	Front mount 4-in-1 combination (clam) bucket	Approx. 84" width, state	_____
10.56	Front mount high flow snow blower	Approx. 84" width, state	_____
10.57	Grapples, brush (Utility)	For brush and travel removal, approx. 84" width, state	_____
10.58	Pallet fork	Carriage and fork set with 48" tines	_____
10.59	Front mount angle broom	Approx. 84" width, state	_____
10.60	Snow Bucket	Approx. 96" width, state	_____

**OPERATOR STATION
 ERGONOMICS**

10.61 Cab or station layout should provide a comfortable seating position for the 5th to the 95th percentile of personnel. Figure 1 below illustrates the variance between a 5th to a 95th percentile of North American males and females when seated.



10.62 Figure 2: Use the below diagram to answer the specifications for Operator Station Ergonomics.



- | | | | |
|-------|---|--|-------|
| 10.63 | Sitting height range from floor (where feet rest) (A) | State , seat height range in inches | _____ |
| 10.64 | Seat length/depth (B) | State , seat length/depth in inches | _____ |
| 10.65 | Seat width (C) | State , seat width in inches | _____ |
| 10.66 | Cab height from seat to roof (if applicable) (D) | State , cab height range in inches | _____ |
| 10.67 | Back rest height (E) | State , back rest height in inches | _____ |

10.68 Seat travel range (F) **State**, seat travel in inches _____

10.69 Include any other relevant ergonomic specifications and applicable range of adjustment _____

11.0 **WARRANTY**

11.1 All warranty information shall be detailed and include all exclusions. The successful bidder shall provide all published warranty information upon delivery of the equipment. Bidder shall state all warranty information. _____

11.2 The warranty for the Skid Steer Loader shall cover the complete equipment, and all parts thereof against any defects of workmanship, construction and materials, for a period of 12 months Any article that has become defective during said warranty period and has not proven to have been caused by negligence on the part of the user shall be repaired or replaced at no cost to the City. The warranty shall be effective from the date the equipment is put into service by the City of Winnipeg. _____

12.0 **DELIVERY**

12.1 Delivery Point: The complete unit shall be serviced, ready for operation and delivered F.O.B. with the freight prepaid, including invoice and N.I.V.S. (if applicable) to the WFMA 185 Tecumseh Street, Winnipeg MB. The successful bidder shall be notified by the Contractor Administrator the delivery address prior to issuance of the purchase order _____

12.2 Delivery Time: **three to four (3-4) calendar weeks** from the date of award. Equipment shall be delivered between 8:00 am and 3:00 pm on Business Days. _____

12.3 Delivery Contact: The Contractor shall contact the Contract Administrator prior to delivery of the equipment. _____

12.4 P.D.I: A pre-delivery inspection shall be performed by the Contractor on the equipment. Proof upon inspection including completed check list _____

13.0 **MANUALS**

13.1 Manuals supplied under this contract. The manuals shall cover the complete equipment including all components thereof, CD is preferred where available. _____

13.2 The following manuals shall be supplied with the units when delivered: _____

a) Operator's manual – Two (2) per unit (one operator manual shall be sent to the Equipment Operator Training Branch _____

b) Parts and service manuals – one (1) complete sets including preventative maintenance schedules. CDs are preferred. _____

14.0 **PARTS/LABOUR PRICING**

14.1 Bidder to provide City of Winnipeg Parts Discount % Pricing from retail parts pricing. **State percentage discount-** _____

14.2 Bidder to provide City of Winnipeg Labor Discount % Pricing from Retail shop labor rate. **State percentage discount-** _____