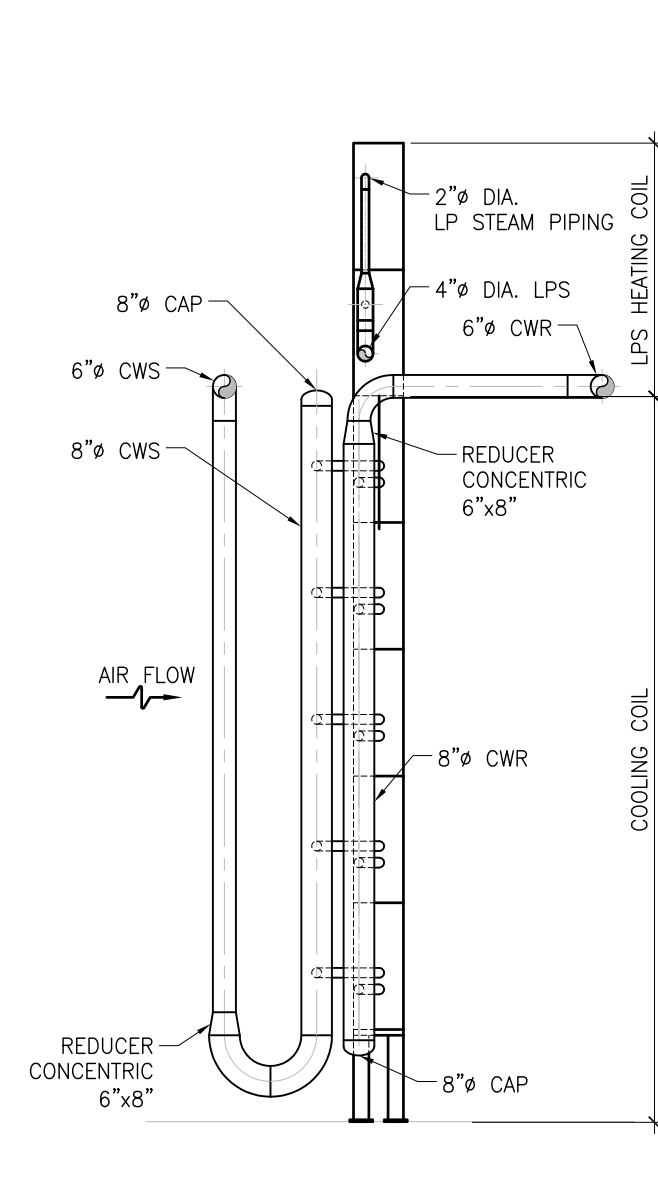
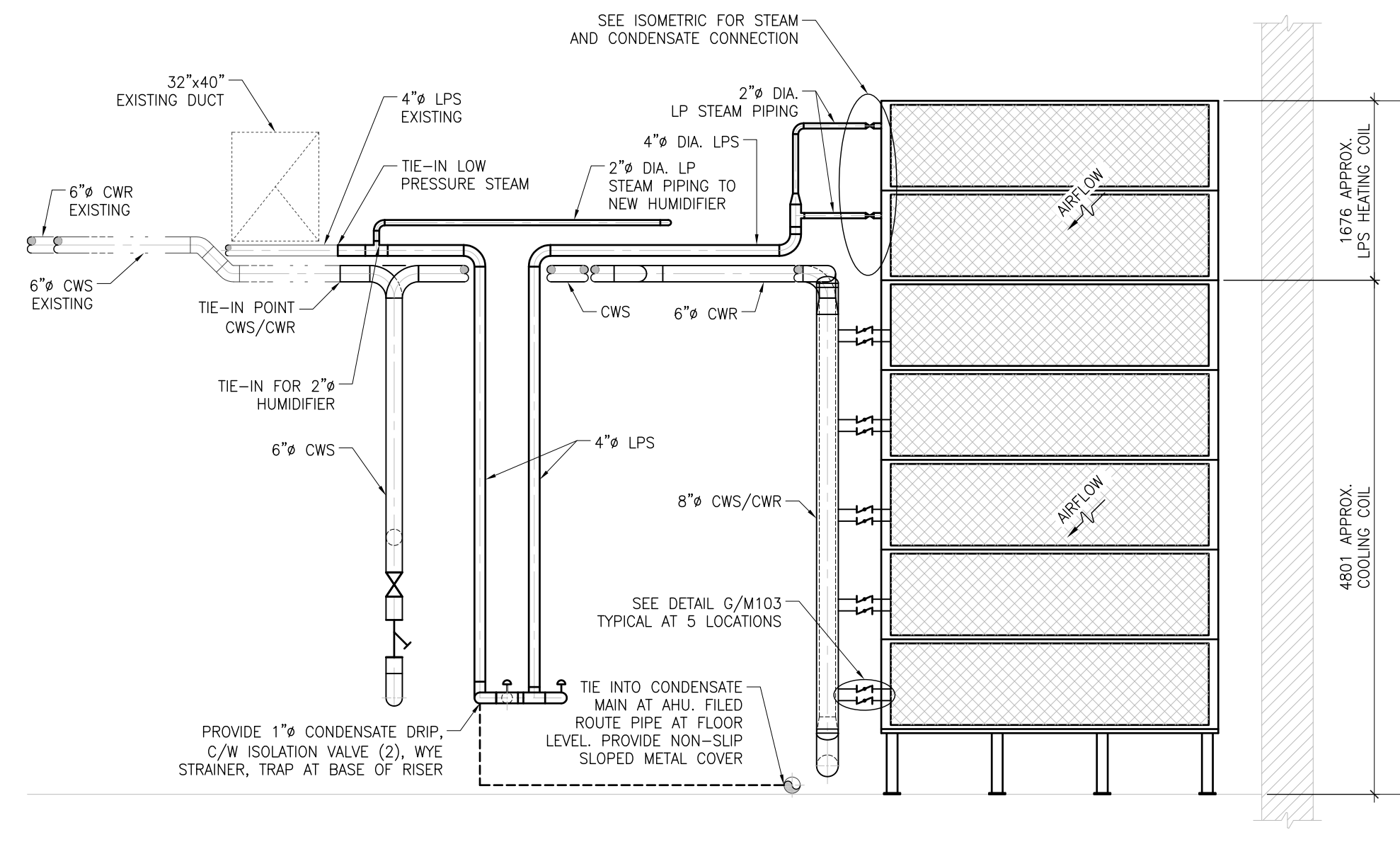


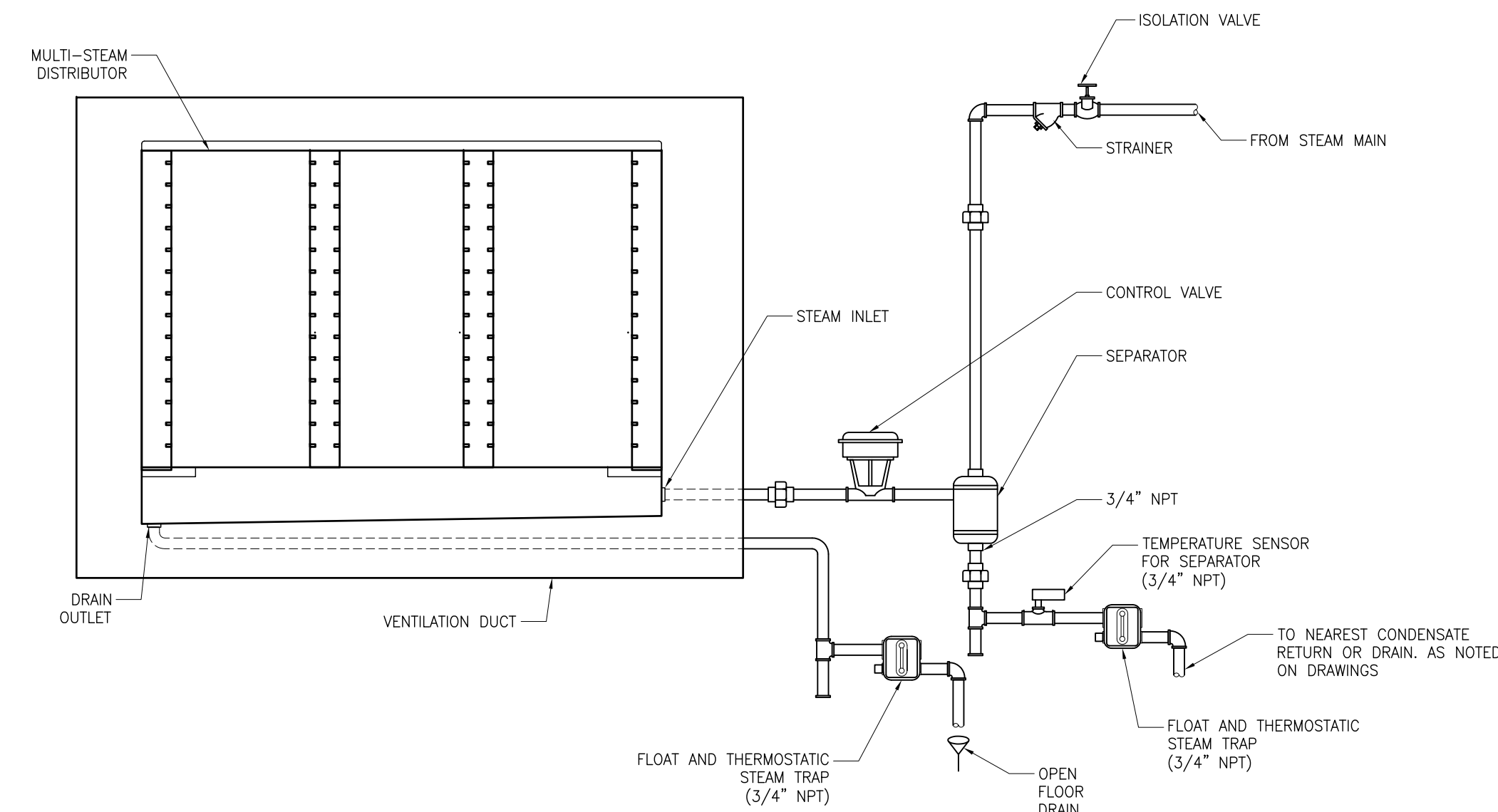
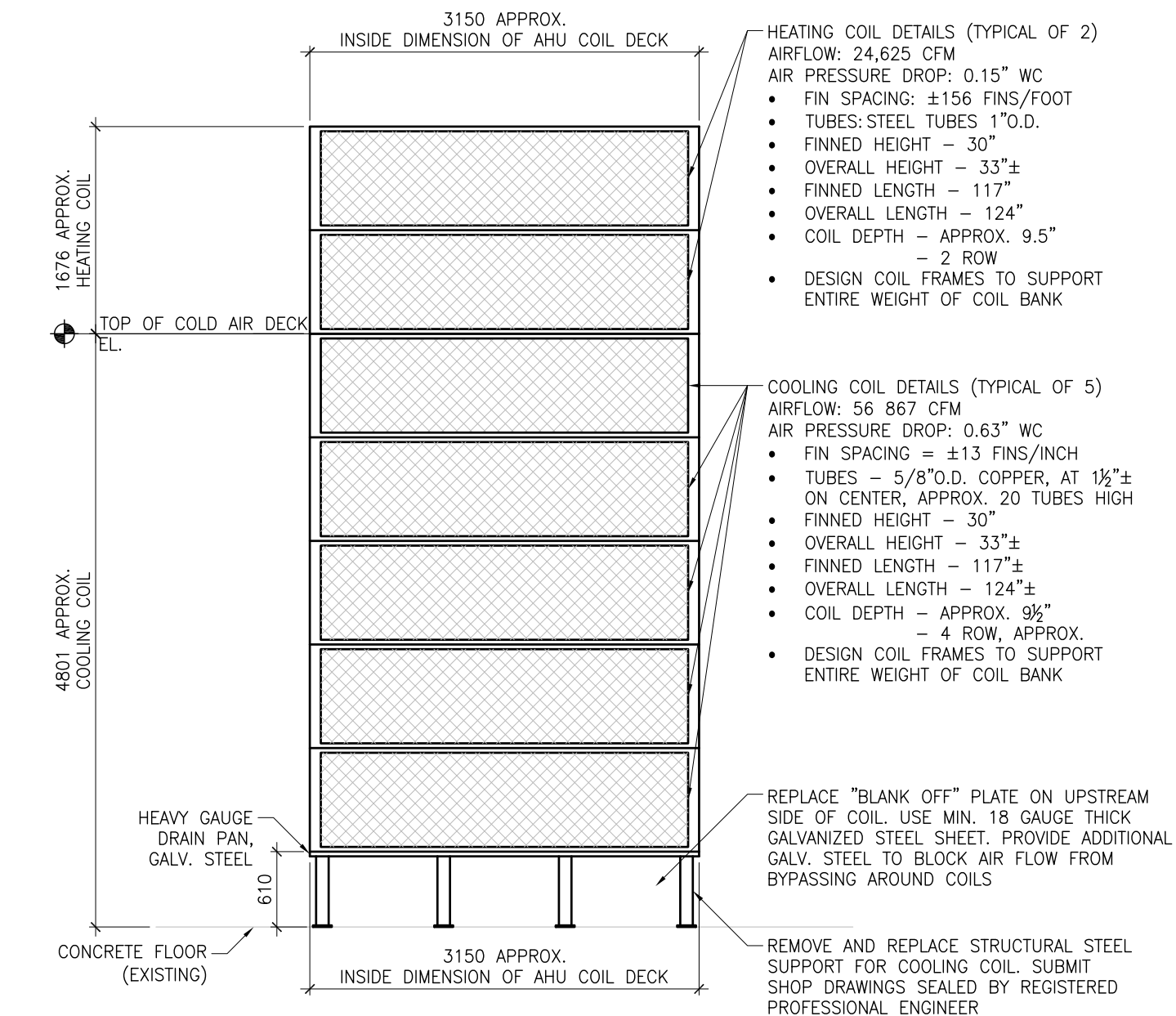
**A** ELEVATION A-A  
M103 1:50



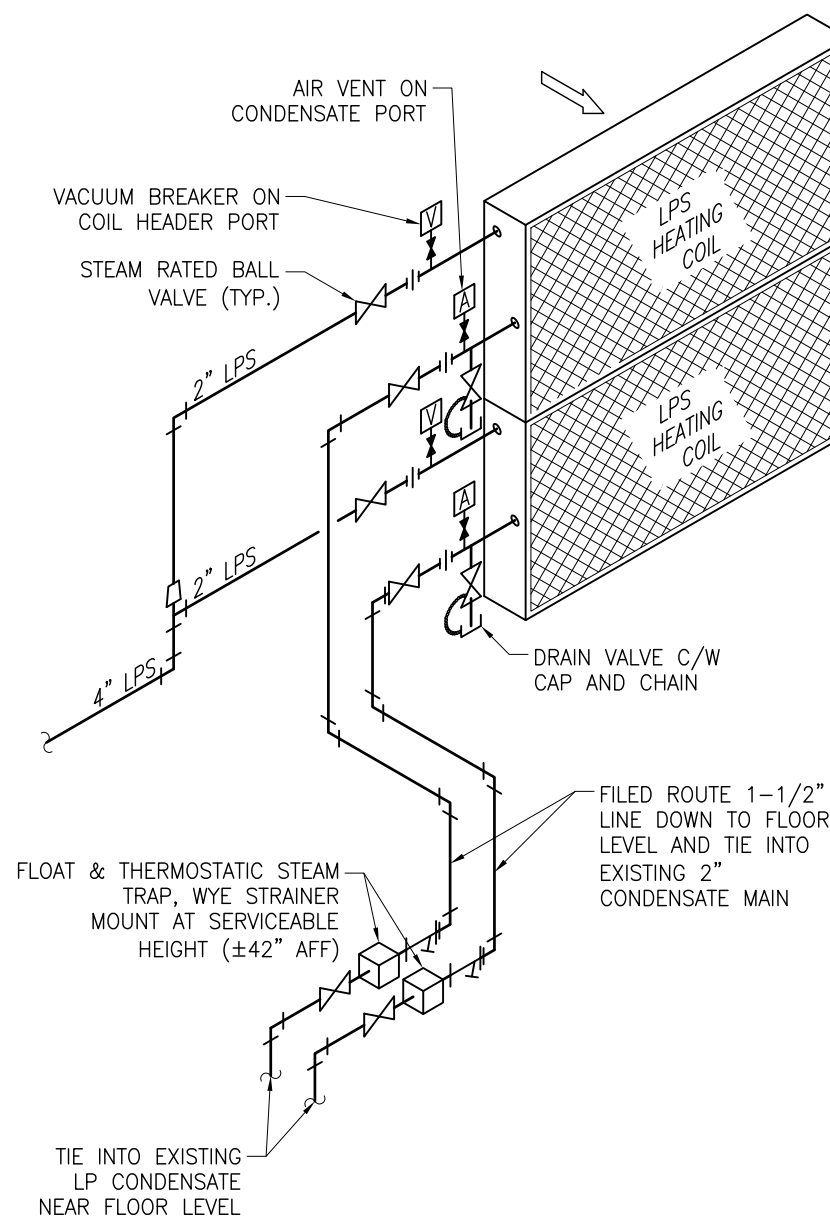
**B** ELEVATION B-B  
M103 1:50



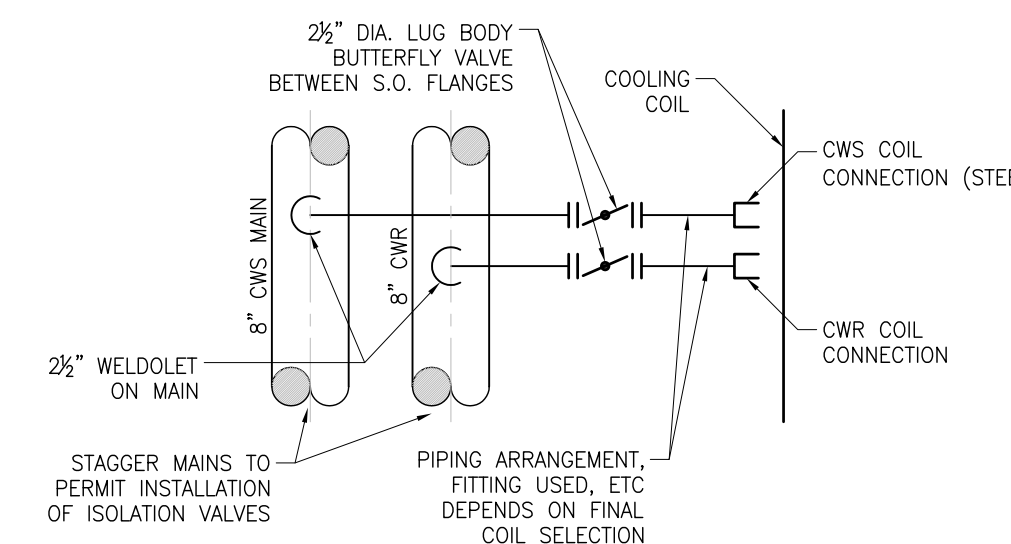
**C** ELEVATION C-C  
M103 1:50



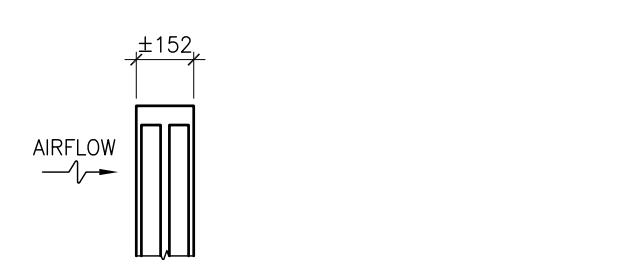
**E** STEAM HUMIDIFIER INSTALLATION  
M103 NTS



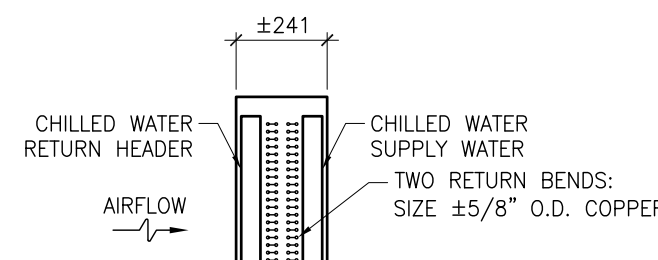
**F** ISOMETRIC FOR STEAM AND CONDENSATE CONNECTION  
M103 NTS



**G** CONNECTION DETAIL (5 TYPICAL)  
M103 N.T.S.



**H** STEAM COIL SUPPLY HEADER - 2 ROW COIL  
M103 NTS



**J** COOLING COIL SUPPLY HEADER  
M103 NTS



8				
7				
6				
5				
4				
3				
2				
1	ISSUED FOR TENDER	KCV	BKW	MAY 27 2016
REV	DESCRIPTION	DWN	APP	REV DATE

51 Aubin Drive  
Winnipeg, Manitoba, Canada  
R3X 1J8

**ACHIEVE**  
ENGINEERING INC.

bwall@achieveeng.ca  
ph. 204.415.1558  
www.achieveeng.ca

PROVINCE OF MANITOBA  
MAY 27 2016  
**B.K. WALL**  
REGISTERED ENGINEER

**266 GRAHAM**  
**COIL REPLACEMENT**

SHEET TITLE  
**MECHANICAL ROOM, 10th FLOOR ROOF**  
ELEVATION AND DETAILS  
BID OPPORTUNITY No. 467-2016

DRAWN BY	CHEKED BY	DATE	SHEET NO.
KCV	BKW	MAY 27 2016	<b>M104</b>
DESIGNED BY	CHEKED BY	SCALE	REVISION NO.
BKW	BKW	AS NOTED	1