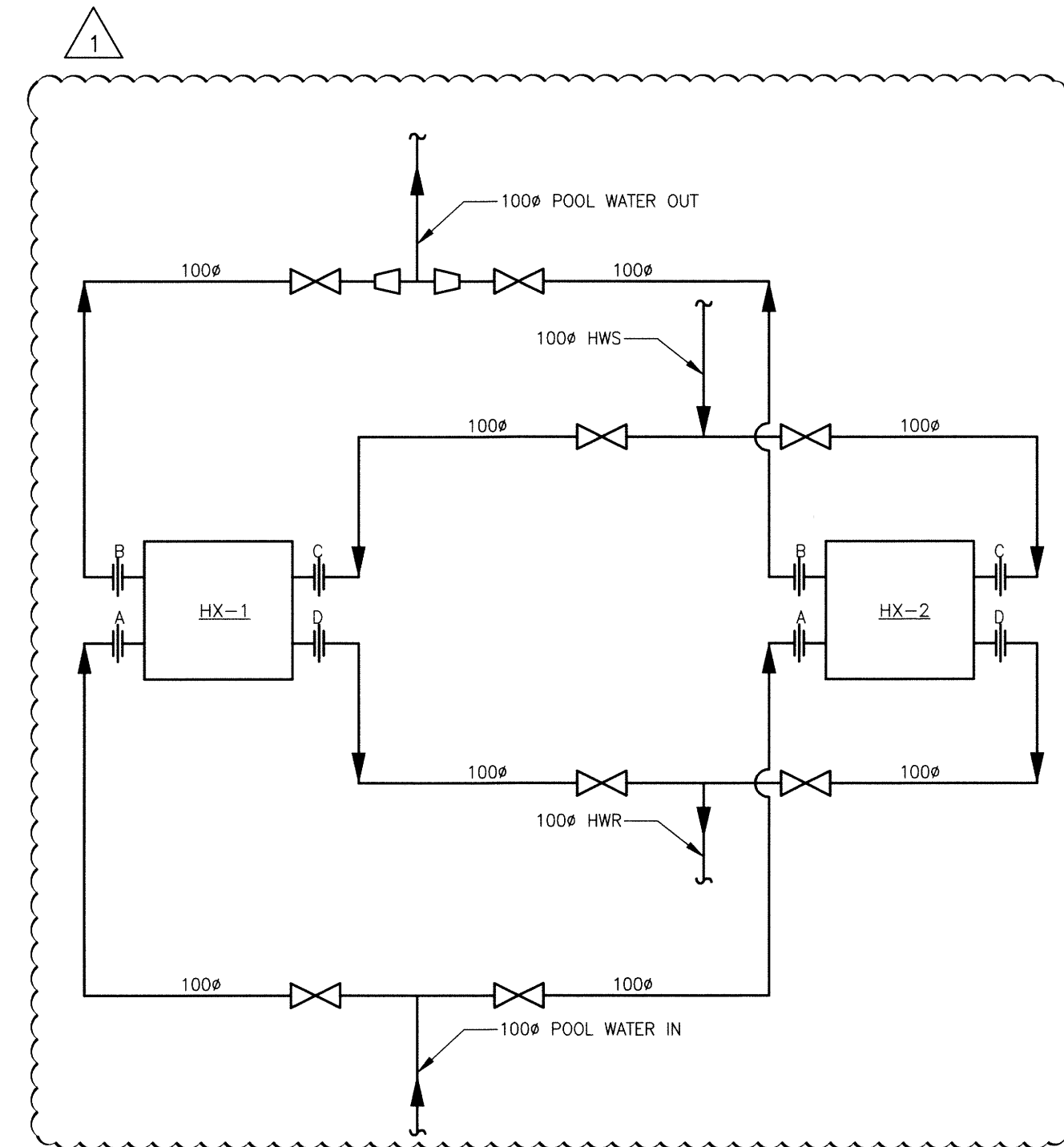
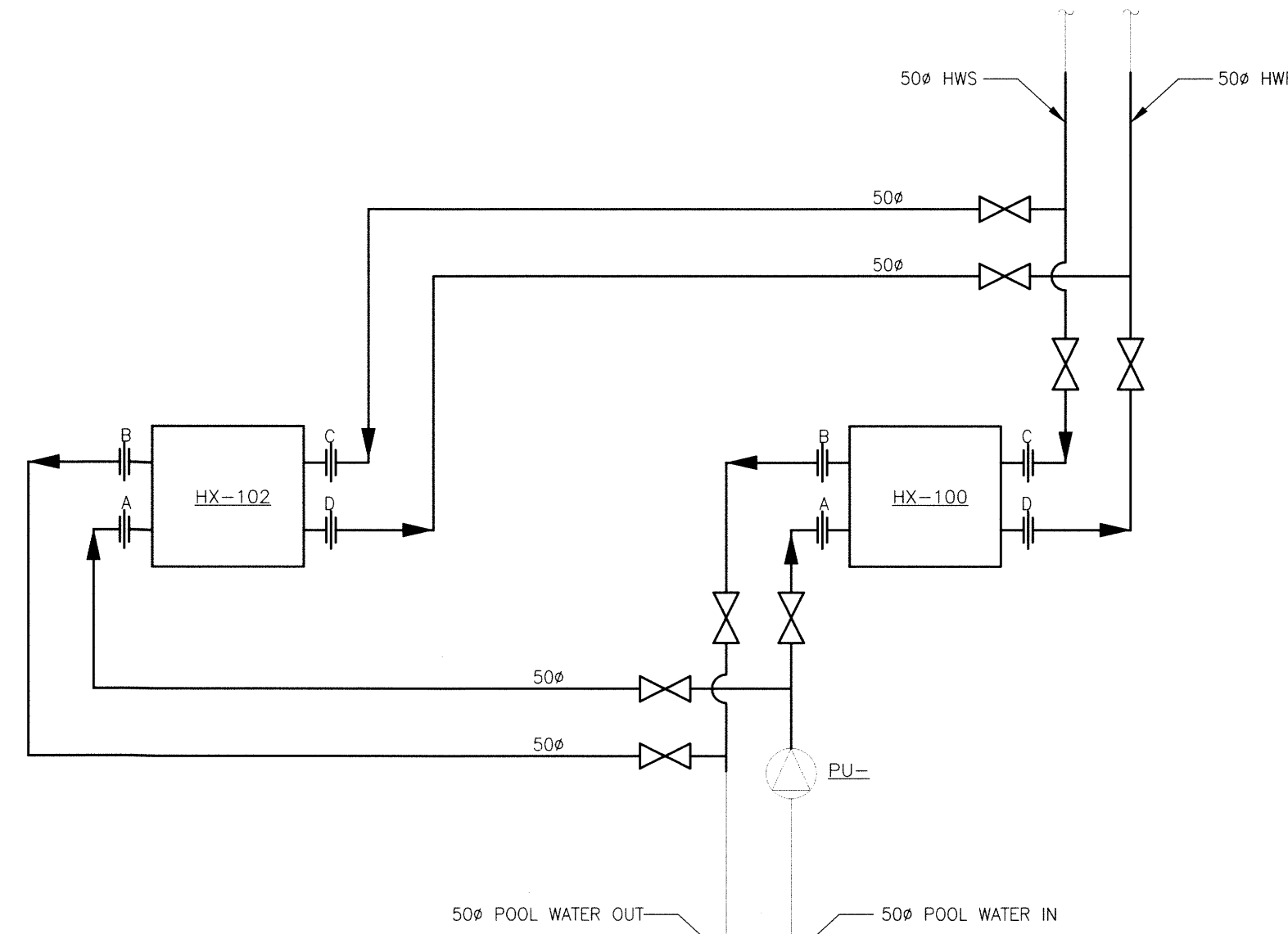


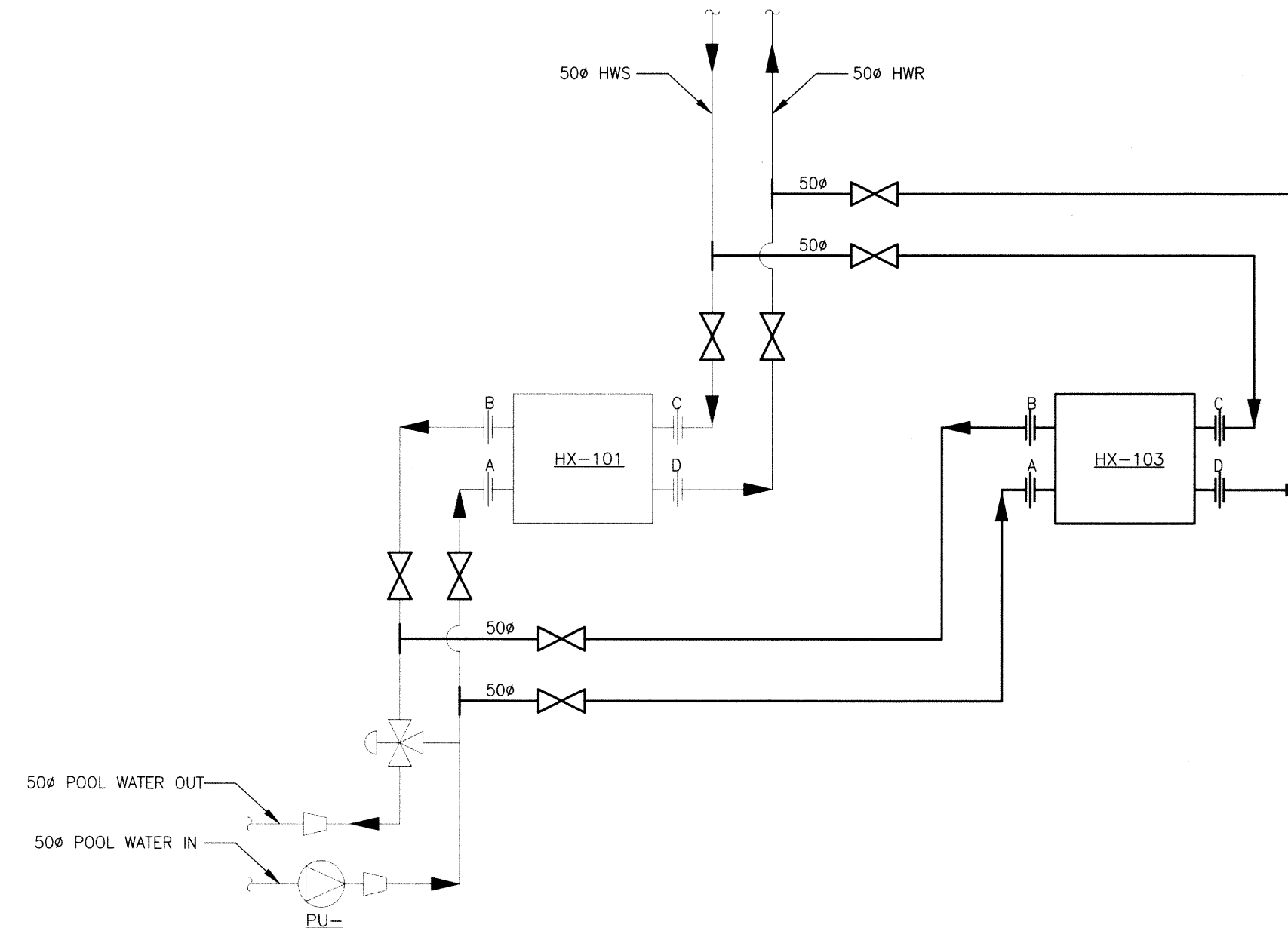
PIPING SCHEMATIC - NEW BOILERS
SCALE N.T.S.



PIPING SCHEMATIC - NEW MAIN POOL HEAT EXCHANGERS
SCALE N.T.S.



PIPING SCHEMATIC - LAP POOL HEAT EXCHANGERS
SCALE N.T.S.



PIPING SCHEMATIC - KIDDE POOL HEAT EXCHANGERS
SCALE N.T.S.

NOTES:
 THESE DRAWINGS SHALL NOT BE SCALED.
 THE CONTRACTOR SHALL VISIT THE SITE AND SATISFY ONESELF ALL DIMENSIONS, DATUM, AND DETAILED INFORMATION SHOWN ARE CORRECT.
 THE CONTRACTOR IS TO REVIEW AND COORDINATE ALL ARCHITECTURAL, MECHANICAL, ELECTRICAL AND STRUCTURAL DRAWINGS FOR ADDITIONAL OPENINGS THROUGH FLOORS, WALLS, AND CEILINGS FOR DUCT, PIPE & ELECTRICAL RISERS AND ALL OPENINGS NOT SHOWN ON DRAWINGS.
 ALL OPENINGS THROUGH THE FIRE SEPARATIONS AS A RESULT OF THE WORK OF THIS CONTRACT ARE TO BE FIRE STOPPED AND SEALED WITH ULC APPROVED FIRE STOPPING TO MAINTAIN THE INTEGRITY OF THE FIRE SEPARATION, AND PROVIDE AND SMOKE-TIGHT BARRIER. EXISTING OPENINGS THROUGH FIRE SEPARATIONS THAT ARE NOT CURRENTLY FIRE STOPPED TO BE DEALT WITH UNDER SEPARATE CONTRACT.
 ALL PRODUCTS AND MATERIALS TO BE USED AND INSTALLED SHALL CONFORM WITH MANUFACTURER'S SPECIFICATIONS & APPLICABLE CODES.
 THE CONTRACTOR SHALL BE RESPONSIBLE TO PATCH AND MAKE GOOD ALL EXISTING CONSTRUCTION AFFECTED BY THE REMOVAL OF ALL ITEMS FORMING THE PART OF THE RENOVATION WORK.
 WHERE NEW FLOORING AND BASE IS TO BE INSTALLED IN EXISTING AREAS (REFER TO FLOOR PLAN AND ROOM SCHEDULE) THE EXISTING FLOORING SURFACE AND BASE MUST BE REMOVED, UNLESS OTHERWISE NOTED. ALL FLOOR SURFACES SHALL BE PREPARED IN ACCORDANCE TO MANUFACTURER'S RECOMMENDATIONS FOR INSTALLATION OF NEW FLOOR.
 WHERE PAINTING OF EXISTING WALLS IS INDICATED ON THE ROOM SCHEDULE, THESE WALLS MUST BE CLEANED OF ANY EXISTING WALL COVERING, PATCHED & PREPARED TO ACCEPT NEW MATERIAL, UNLESS OTHERWISE NOTED.

LEGEND:

	HWS		PRESSURE GAUGE
	HWR		UNION
	FLOW DIRECTION		
	HX		
	FF		
	BB		
	EXP		
	HSF		
	PU		
	CV		
	CPF		
	LWCO		
	BALL VALVE		
	BALANCE VALVE		
	BUTTERFLY VALVE		
	3-WAY VALVE		
	GATE VALVE		
	PRESSURE RELIEF VALVE		
	AIR VENT		
	AIR PURGER		
	FILTER		
	SITE GLASS		
	DRAIN		
	FLEXIBLE CONNECTION		
	REDUCER		
	FLOW SWITCH		
	TEMPERATURE SENSOR		
	PRESSURE SENSOR		
	THERMOMETER		

No.	REVISION/DESCRIPTION	BY	DATE
1	RE-ISSUED FOR TENDER	P	16.06.02
0	ISSUED FOR TENDER	PSS	16.05.20



DATE	USER	APPROVAL
2016.04.14		

THE CITY OF WINNIPEG
 PLANNING, PROPERTY AND
 DEVELOPMENT DEPARTMENT
 MUNICIPAL ACCOMMODATIONS DIVISION
 3-65 GARRY STREET, R3C 4K4

PROJECT
 REPLACEMENT OF BOILERS AND
 POOL WATER HEAT EXCHANGERS AT
 PAN AM POOL
 25 POSEIDON BAY

SHEET TITLE
 MECHANICAL
 PIPING SCHEMATIC



SCALE	PROJECT No:	SHEET No:
AS SHOWN	16-0107-008	P1_M08