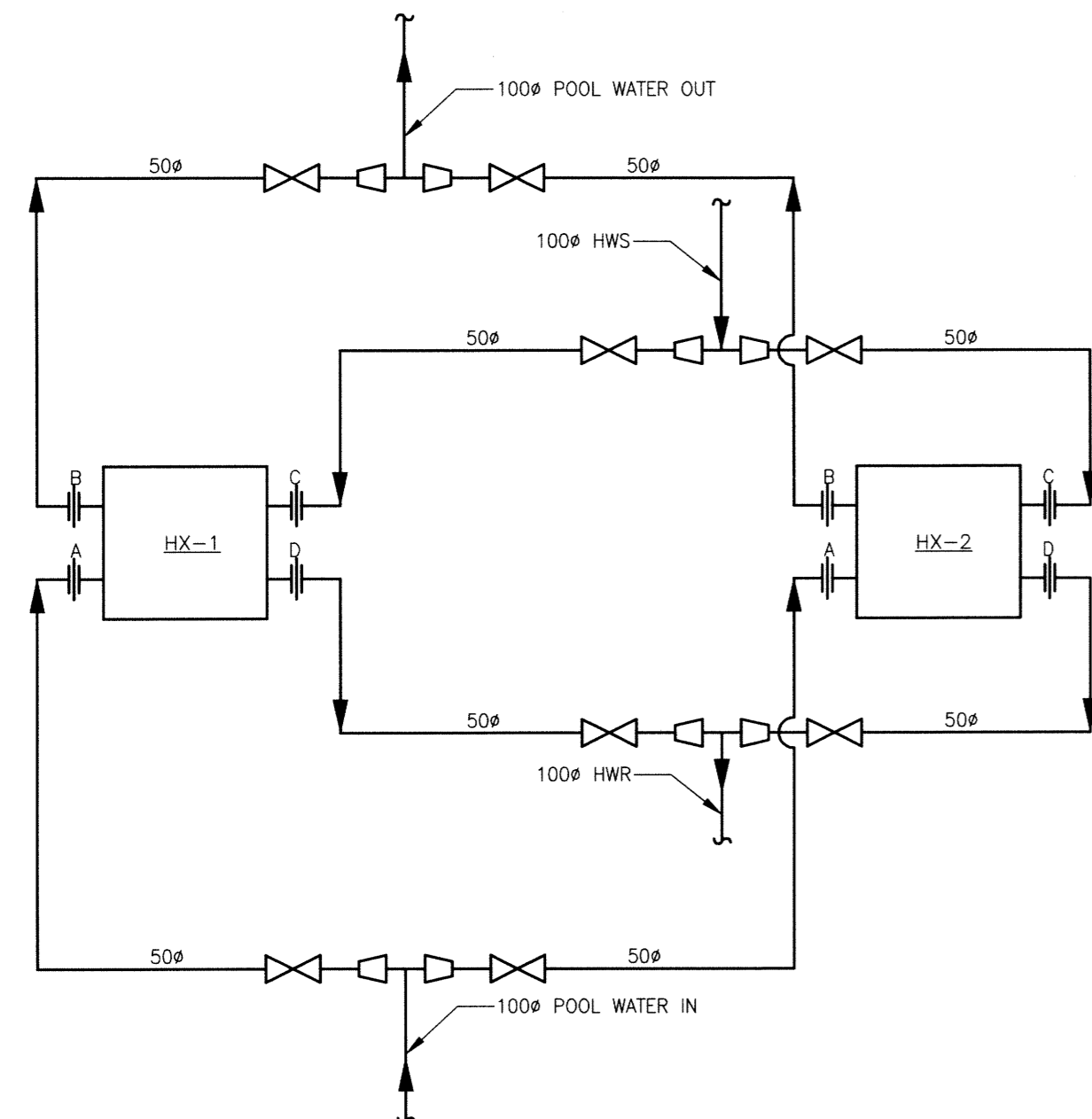
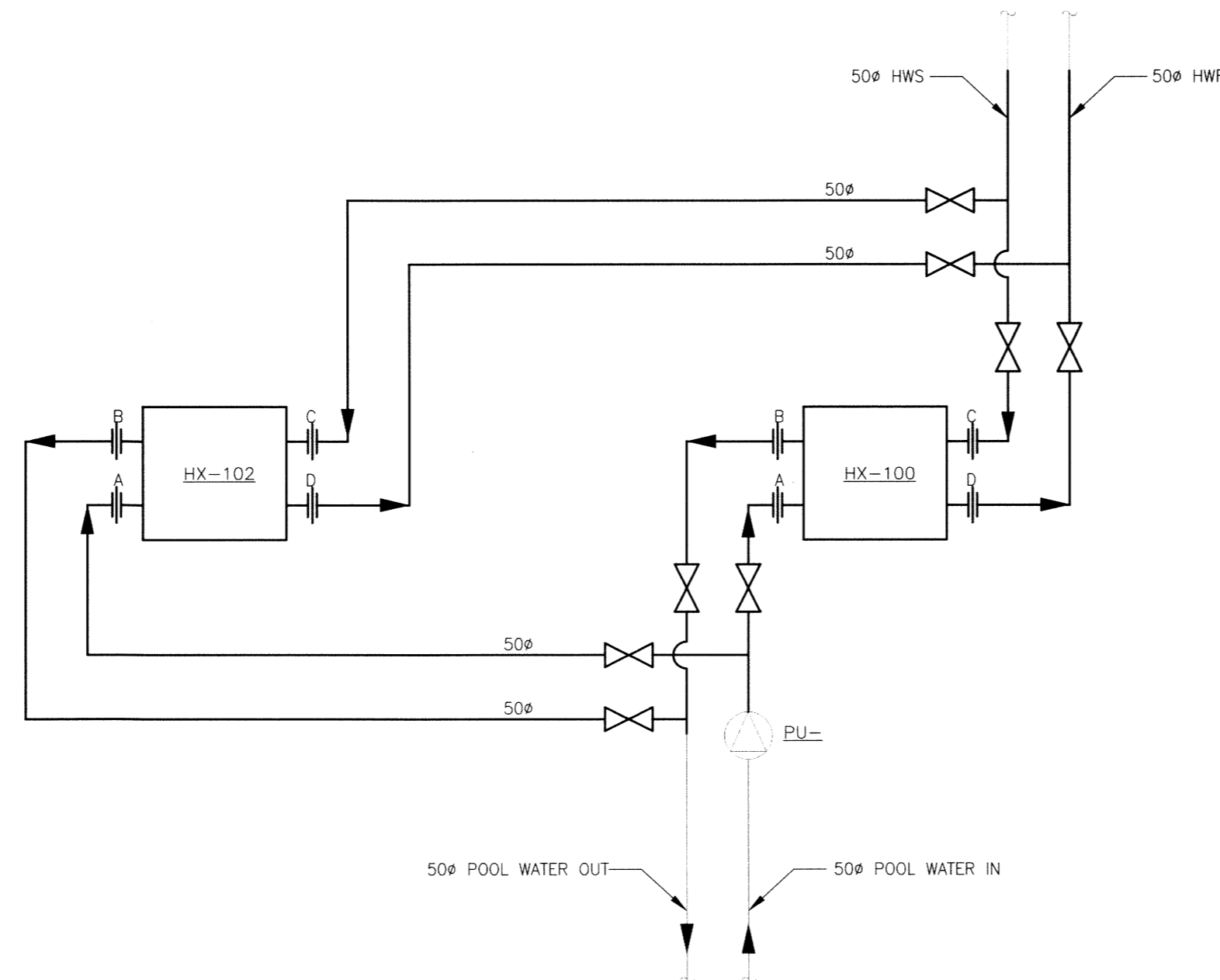


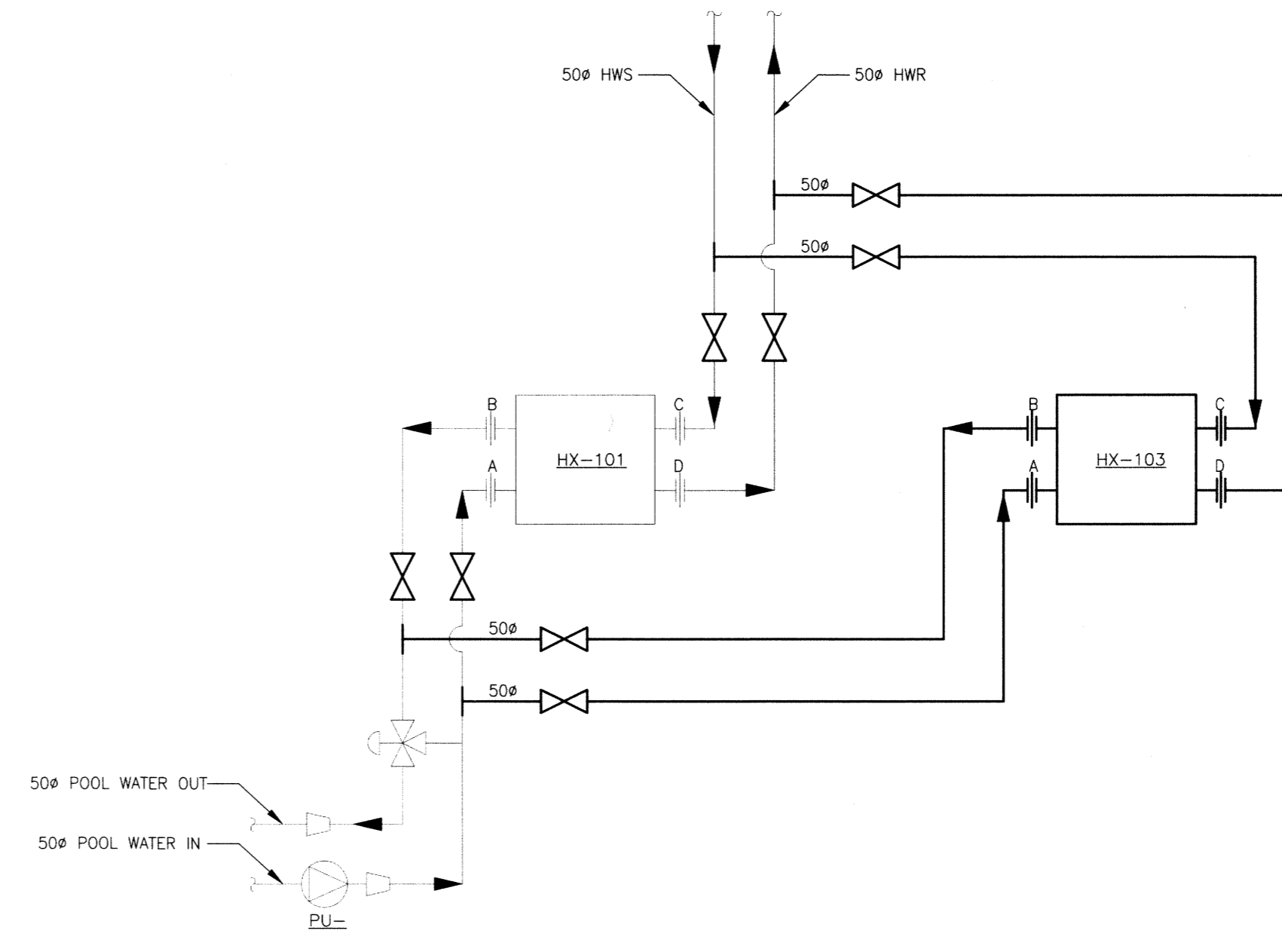
PIPING SCHEMATIC - NEW BOILERS
SCALE N.T.S.



PIPING SCHEMATIC - NEW MAIN POOL HEAT EXCHANGERS
SCALE N.T.S.



PIPING SCHEMATIC - LAP POOL HEAT EXCHANGERS
SCALE N.T.S.



PIPING SCHEMATIC - KIDDIE POOL HEAT EXCHANGERS
SCALE N.T.S.

NOTES:

- THESE DRAWINGS SHALL NOT BE SCALED.
- THE CONTRACTOR SHALL VISIT THE SITE AND SATISFY ONESELF ALL DIMENSIONS, DATUM, AND DETAILED INFORMATION SHOWN ARE CORRECT.
- THE CONTRACTOR IS TO REVIEW AND COORDINATE ALL ARCHITECTURAL, MECHANICAL, ELECTRICAL AND STRUCTURAL DRAWINGS FOR ADDITIONAL OPENINGS THROUGH FLOORS, WALLS, AND CEILINGS FOR DUCT, PIPE & ELECTRICAL RISERS AND ALL OPENINGS NOT SHOWN ON DRAWINGS.
- ALL OPENINGS THROUGH THE FIRE SEPARATIONS AS A RESULT OF THE WORK OF THIS CONTRACT ARE TO BE FIRE STOPPED AND SEALED WITH U/LC APPROVED FIRE STOPPING TO MAINTAIN THE INTEGRITY OF THE FIRE SEPARATION, AND PROVIDE AND SMOKE-TIGHT BARRIER. EXISTING OPENINGS THROUGH FIRE SEPARATIONS THAT ARE NOT CURRENTLY FIRE STOPPED TO BE DEALT WITH UNDER SEPARATE CONTRACT.
- ALL PRODUCTS AND MATERIALS TO BE USED AND INSTALLED SHALL CONFORM WITH MANUFACTURERS SPECIFICATIONS & APPLICABLE CODES.
- THE CONTRACTOR SHALL BE RESPONSIBLE TO PATCH AND MAKE GOOD ALL EXISTING CONSTRUCTION AFFECTED BY THE REMOVAL OF ALL ITEMS FORMING THE PART OF THE RENOVATION WORK.
- WHERE NEW FLOORING AND BASE IS TO BE INSTALLED IN EXISTING AREAS (REFER TO FLOOR PLAN AND ROOM SCHEDULE) THE EXISTING FLOORING SURFACE AND BASE MUST BE REMOVED, UNLESS OTHERWISE NOTED. ALL FLOOR SURFACES SHALL BE PREPARED IN ACCORDANCE TO MANUFACTURERS RECOMMENDATIONS FOR INSTALLATION OF NEW FLOOR.
- WHERE PAINTING OF EXISTING WALLS IS INDICATED ON THE ROOM SCHEDULE, THESE WALLS MUST BE CLEANED OF ANY EXISTING WALL COVERING, PATCHED & PREPARED TO ACCEPT NEW MATERIAL, UNLESS OTHERWISE NOTED.

LEGEND:

- HWS HOT WATER SUPPLY
- HWR HOT WATER RETURN
- Flow Direction
- HX- HEAT EXCHANGER
- FF- FORCE FLOW HEATER
- BB- BASEBOARD HEATER
- EXP- EXPANSION TANK
- HSF- HYDRONIC SYSTEM FEED
- PU- PUMP
- CV- CONTROL VALVE
- CPF- CHEMICAL POT FEEDER
- LWCO- LOW WATER CUT OFF
- Ball Valve
- Balance Valve
- Butterfly Valve
- 3-WAY VALVE
- Gate Valve
- Pressure Relief Valve
- Air Vent
- Air Purger
- Filter
- Site Glass
- Drain
- Flexible Connection
- Reducer
- Flow Switch
- Temperature Sensor
- Pressure Sensor
- Thermometer
- Pressure Gauge
- Union

No.	REVISION/DESCRIPTION	BY	DATE
0	ISSUED FOR TENDER		16.05.20

SEAL



DATE	USER	APPROVAL
2016.04.14		

THE CITY OF WINNIPEG
PLANNING, PROPERTY AND
DEVELOPMENT DEPARTMENT
MUNICIPAL ACCOMMODATIONS DIVISION
3-65 GARRY STREET, R3C 4K4

PROJECT
REPLACEMENT OF BOILERS AND
POOL WATER HEAT EXCHANGERS AT
PAN AM POOL
25 POSEIDON BAY

SHEET TITLE
MECHANICAL
PIPING SCHEMATIC

SCALE	PROJECT No:	SHEET No:
AS SHOWN	16-0107-008	P1_M08

