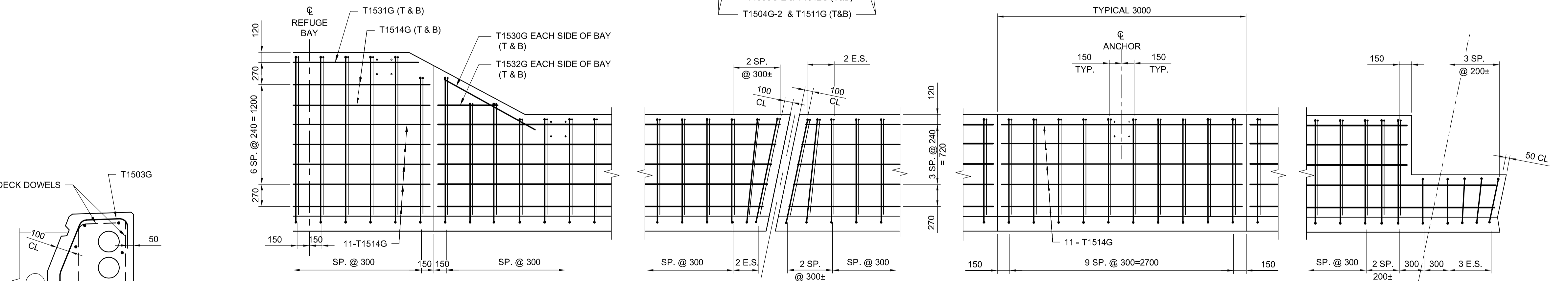
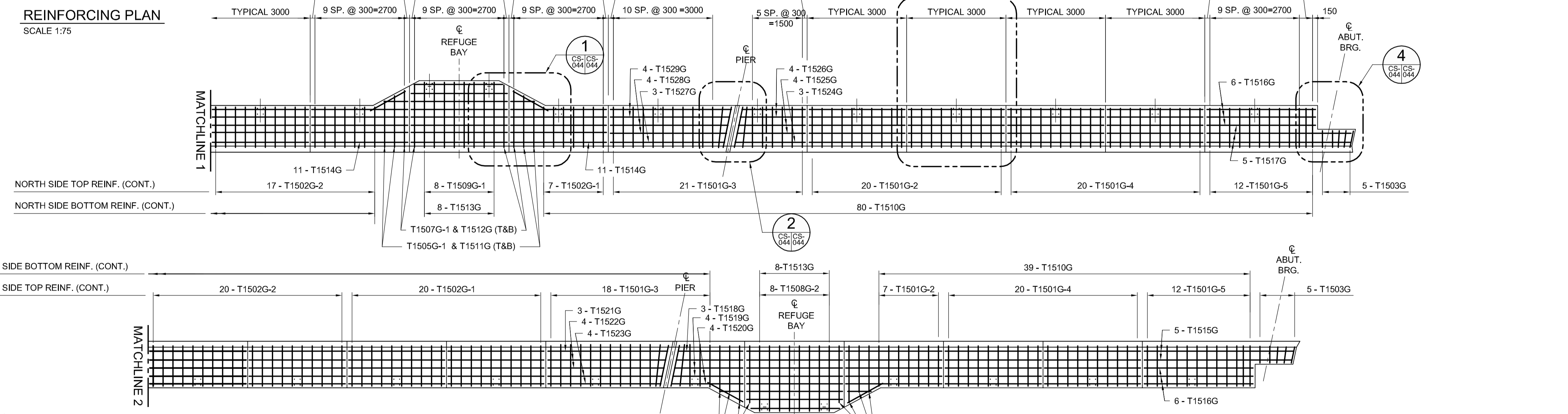
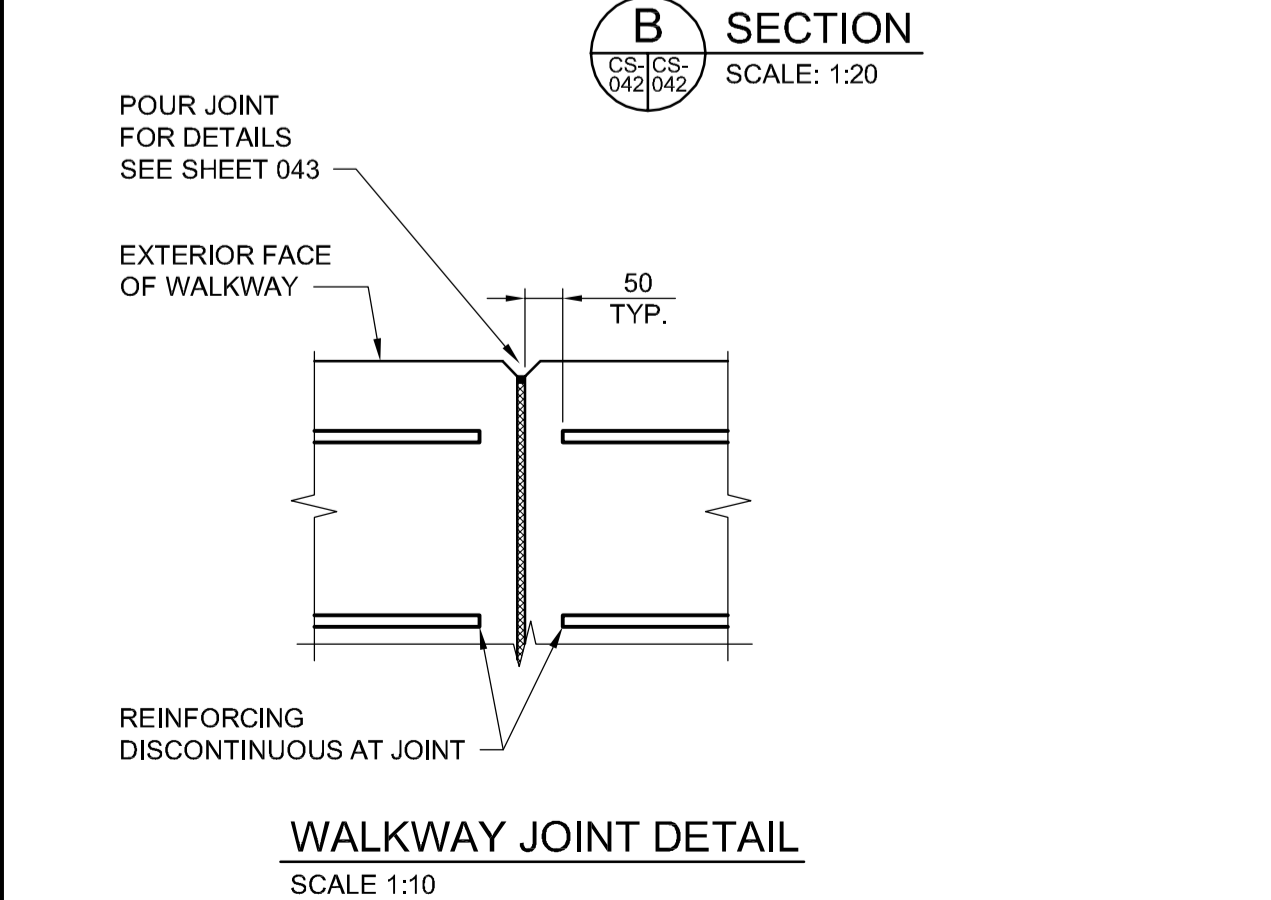
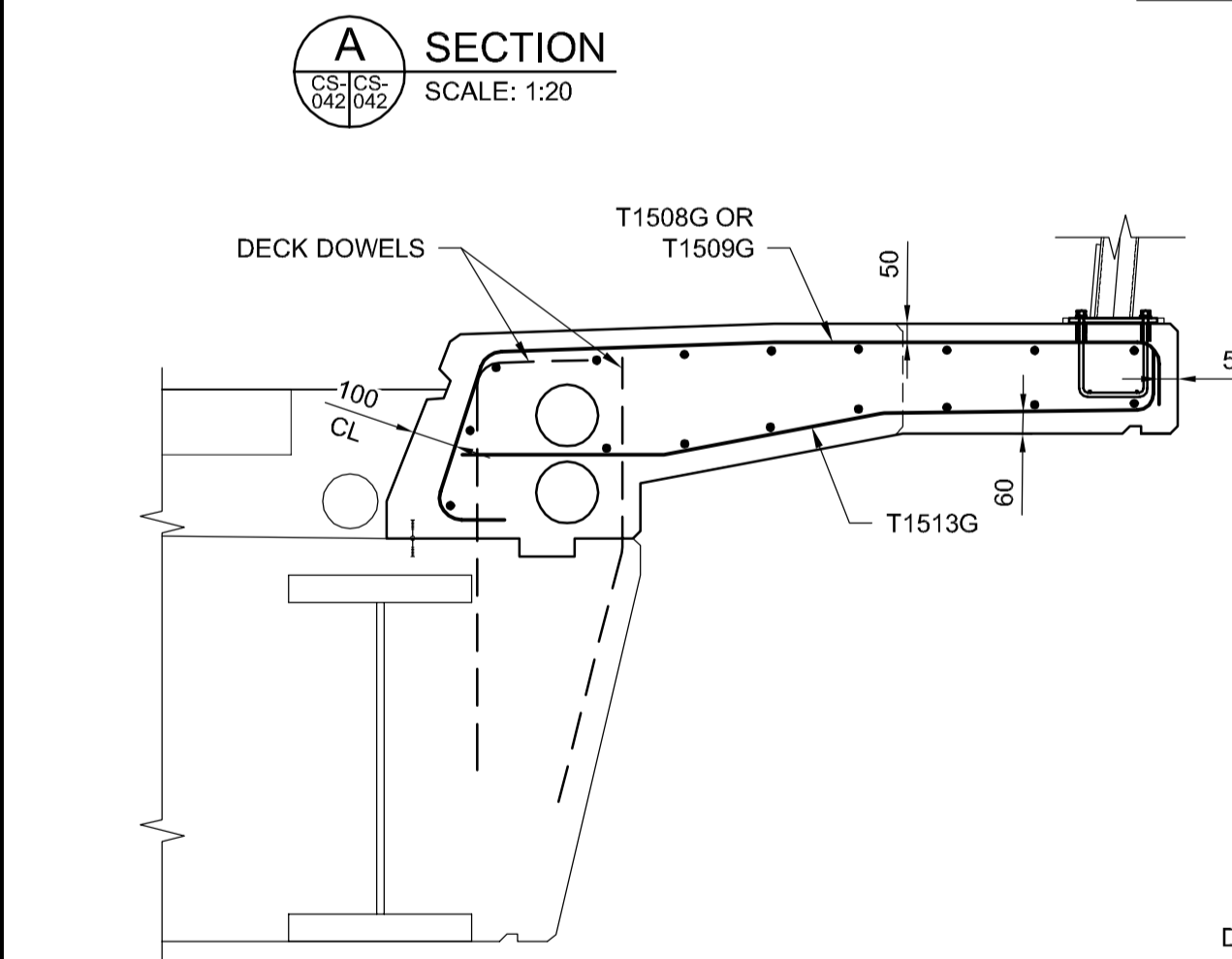
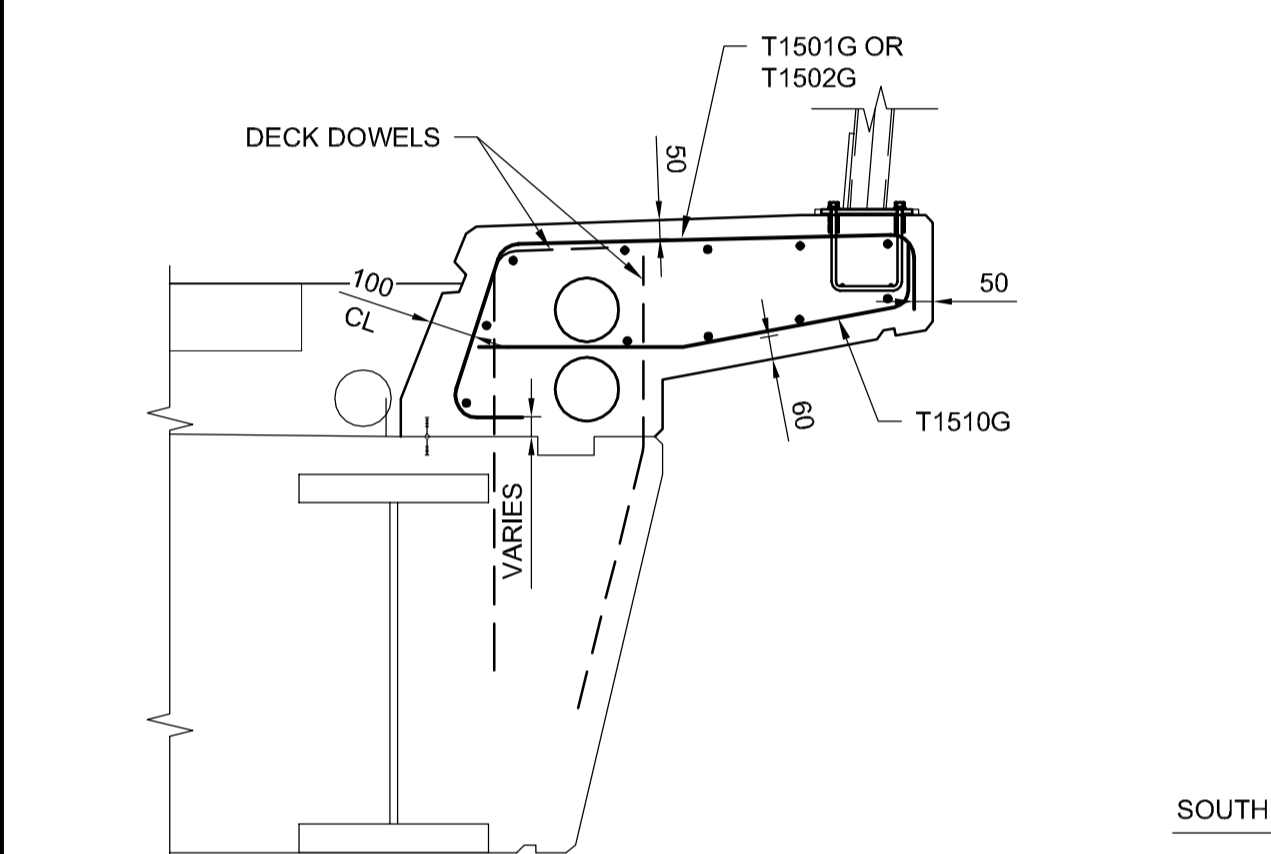


- NOTES:**
- FOR REINFORCING STEEL NOTES REFER TO SHEET C2-CS-001.
 - FOR CONCRETE NOTES AND CONCRETE CLEAR COVER TO REINFORCEMENT REFER TO SHEET C2-CS-001.
 - REINFORCING STEEL WITH MARKS ENDING WITH "G" SHALL BE GALVANIZED REINFORCING.

ALL REINFORCING CHANGED TO GALVANIZED REINFORCING STEEL



| | | | | | | | |
|---|--|--|--|---|--|---|--|
| <p>Certificate of Authorization Dillon Consulting Limited (MB) No. 1789 Date: 2017/01/09</p> | | <p>DESIGNED BY RE CHECKED BY SSR DRAWN BY DB APPROVED BY DBW HOR. SCALE AS SHOWN RELEASED FOR CONSTRUCTION VERTICAL AS SHOWN</p> | | <p>ENGINEER'S SEAL PROVINCE OF MANITOBA R.B. ERIC Member 22665 REGISTERED PROFESSIONAL ENGINEER</p> | | <p>THE CITY OF WINNIPEG PUBLIC WORKS DEPARTMENT</p> | |
| <p>WAVERLEY STREET UNDERPASS AT CN MILE 3.89 RIVERS SUB CONTRACT 2: UNDERPASS STRUCTURE, RAILWORKS, ROADWORKS, LAND DRAINAGE SEWER, PUMPING STATION AND LANDSCAPING WORKS</p> | | | | <p>CITY DRAWING NUMBER U-239-2016-C2-CS-044 SHEET 044 OF 085</p> | | <p>CONSULTANT DRAWING NUMBER C2-CS-044</p> | |
| <p>TRAINMAN'S WALKWAY REINFORCING DETAILS</p> | | | | <p>CONSULTANT PROJECT NUMBER 16-3353</p> | | <p>CONSULTANT DRAWING NUMBER C2-CS-044</p> | |

G:\CAD\163353\Technical\Workspace\Engineering\Drawings and Figures\Structures\Contract\163353-C2-CON-CS-TRAINMAN WALKWAY REINF.dwg