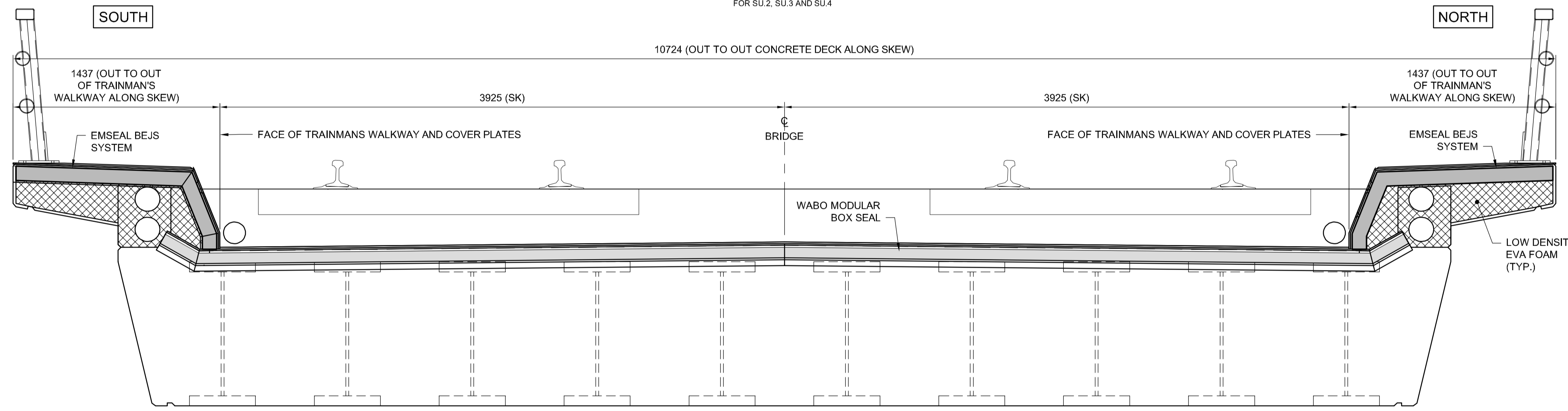
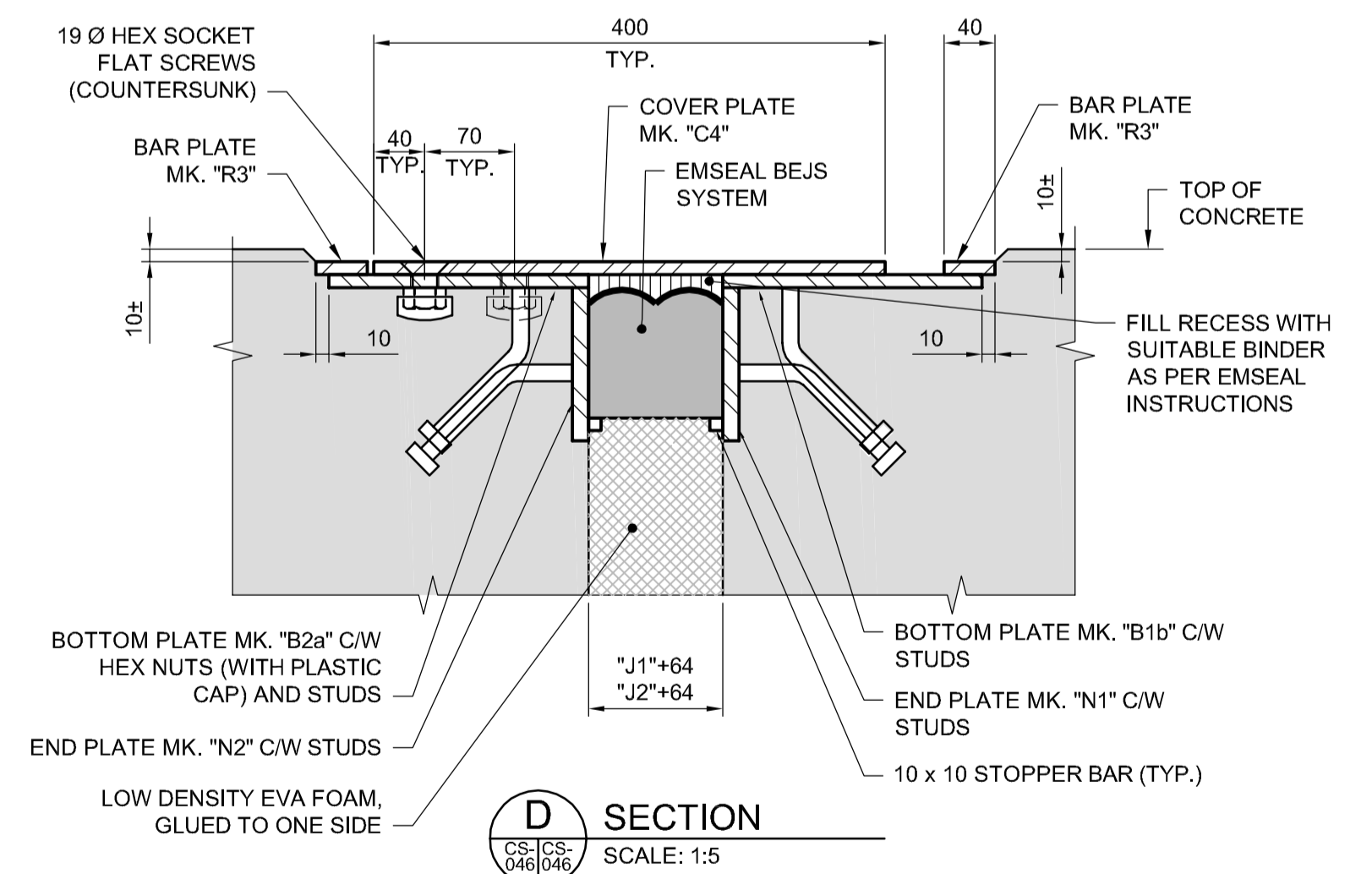
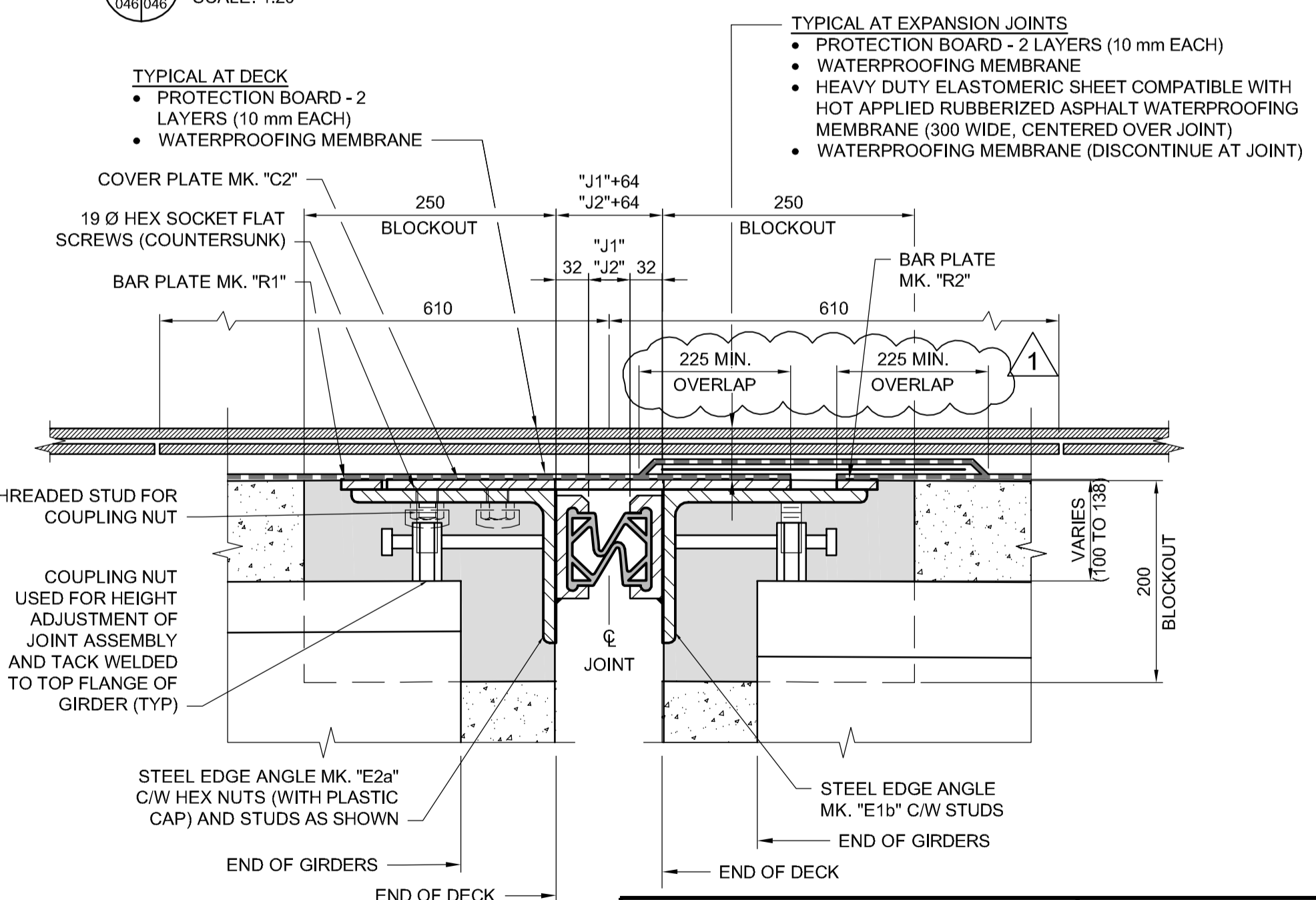
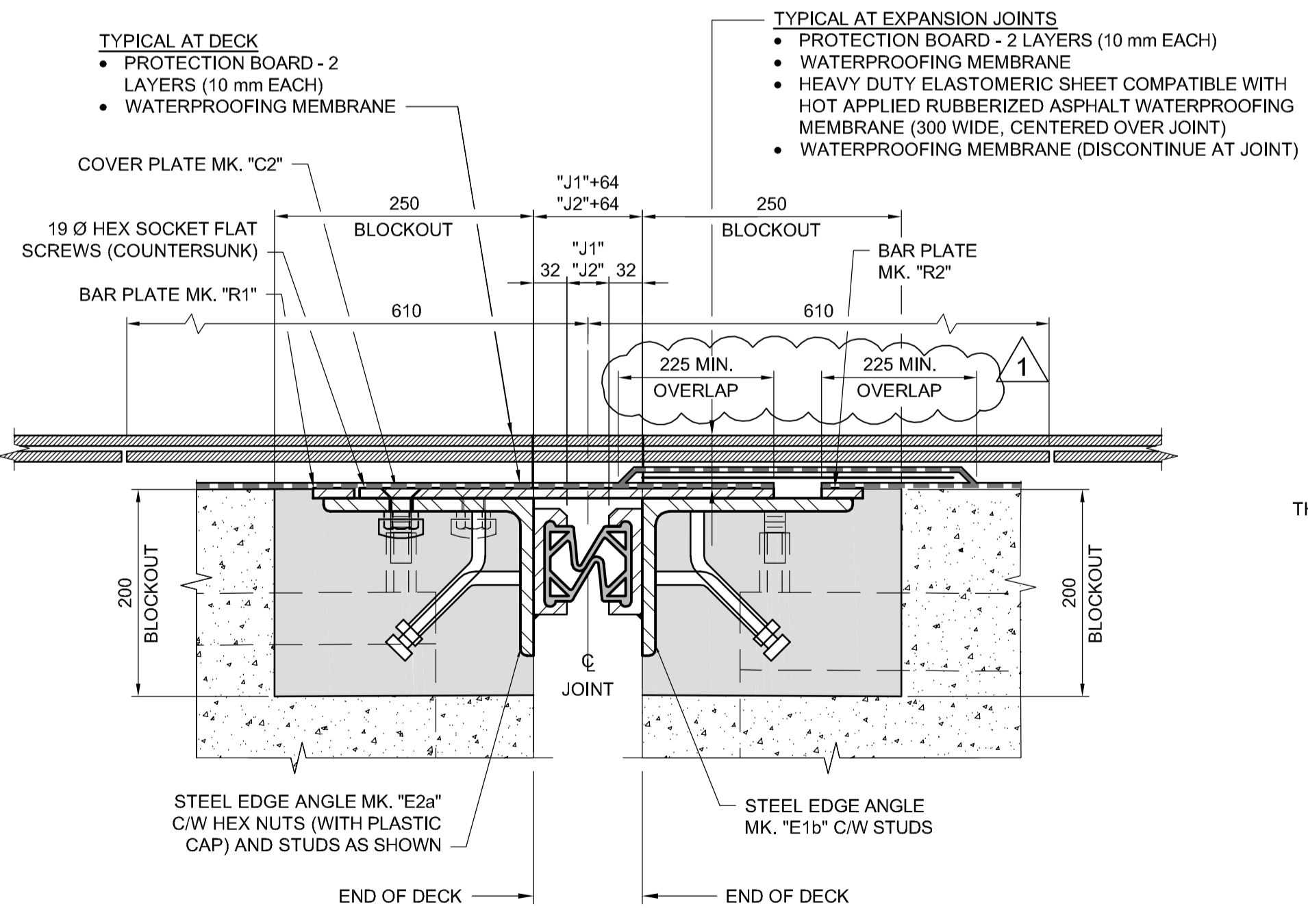


PLAN
SCALE 1:15
FOR SU.2, SU.3 AND SU.4



A SECTION
SCALE: 1:20



B SECTION
SCALE: 1:5
FOR SU.2, SU.3 AND SU.4
AT GIRDERS

C SECTION
SCALE: 1:5
FOR SU.2, SU.3 AND SU.4
AT GIRDERS

D SECTION
SCALE: 1:5
FOR SU.2, SU.3 AND SU.4
AT TRAINMANS WALKWAY

APEGM
Certificate of Authorization
Dillon Consulting Limited (MB)
No. 1789 Date: 2017/01/09

NO.	REVISIONS	DATE	BY
1	ADDENDUM #1	17/01/25	RE
0	ISSUED FOR TENDER	17/01/09	RE

DESIGNED BY	RE	CHECKED BY	SSR
DRAWN BY	CGC	APPROVED BY	DBW
HOR. SCALE AS SHOWN		RELEASED FOR CONSTRUCTION	
VERTICAL AS SHOWN		DATE	

ENGINEER'S SEAL
PROVINCE OF MANITOBA
R.B. ERIC
Member 22665
REGISTERED PROFESSIONAL ENGINEER
CONSULTANT PROJECT NUMBER
16-3353

THE CITY OF WINNIPEG
PUBLIC WORKS DEPARTMENT

Waverley Street Underpass at CN Mile 3.89 Rivers Sub
Contract 2: Underpass Structure, Railworks,
Roadworks, Land Drainage Sewer, Pumping Station
and Landscaping Works

CITY DRAWING NUMBER
U-239-2016-C2-CS-046
SHEET 046 OF 085
CONSULTANT DRAWING NUMBER
C2-CS-046

EXPANSION JOINT DETAILS - SHEET 1

G:\CAD\163353\Technical\Workspace\Engineering\Drawings and Figures\Structures\Contract\163353-C2-CON-CS-DECK-SLAB-JOINT-DETAILS.dwg