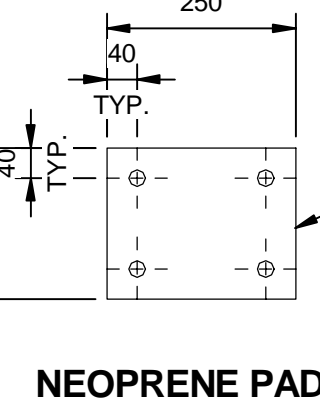


**21 | FIXED SIDE MOUNT ALUMINUM GUARDRAIL**

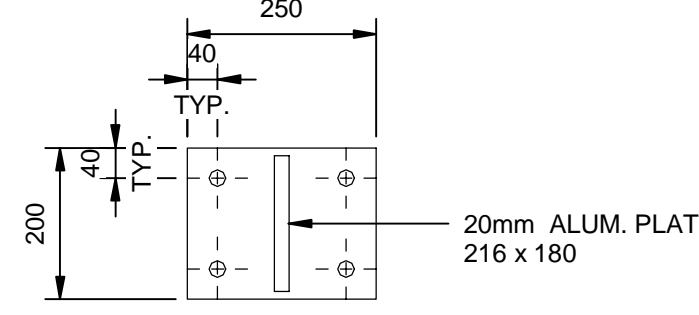
BS-006 SCALE: 1: 10

**22 | REMOVABLE SIDE MOUNT ALUMINUM GUARDRAIL**

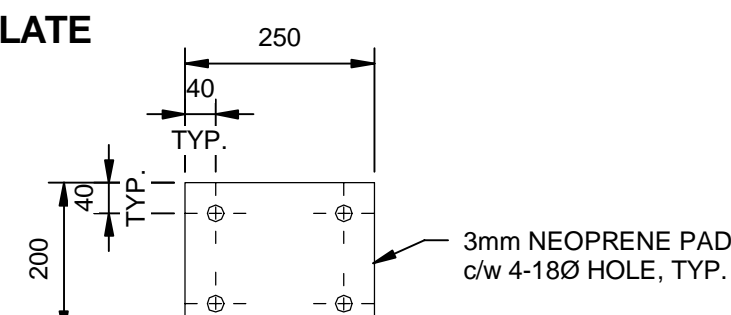
BS-006 SCALE: 1: 10



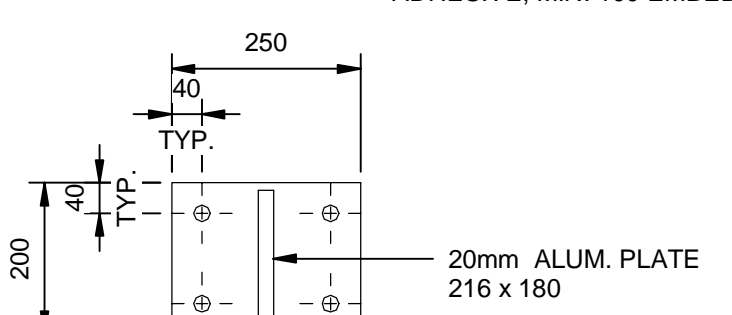
NEOPRENE PAD



MOUNT PLATE & KNIFE PLATE



NEOPRENE PAD



MOUNT PLATE & KNIFE PLATE

- NOTES:
- THIS DRAWING TO BE READ IN CONJUNCTION WITH SHEET No. BS-201 AND THE SPECIFICATIONS.
  - ALUMINUM EXTRUSIONS SHALL CONFORM TO ASTM B221, ALLOY 6351-T6. ALUMINUM PLATES SHALL CONFORM TO ASTM B221, ALLOY 5083. STAINLESS STEEL HEXAGONAL HEAD CAP SCREWS SHALL MEET THE ASTM A278, TYPE 430 REQUIREMENTS.
  - M.I.G. WELDING PROCESS SHALL BE USED.
  - ANTI-SEIZE COATING TO BE SUPPLIED AND APPLIED TO ALL THREADED COMPONENTS WHEN BEING ASSEMBLED, IE. LPS-3- MANUFACTURE HOLT-LLOYD (CANADA) LTD. MARKHAM ONTARIO.
  - SS DENOTES STAINLESS STEEL.
  - PROVIDE TAMPER PROOF HARDWARE INCLUDING NYLON LOCKNUTS.
  - PROVIDE A BITUMINOUS COATING IF ALUMINUM COMPONENTS ARE IN CONTACT WITH CONCRETE.

**METRIC**  
WHOLE NUMBERS INDICATE MILLIMETRES  
DECIMALIZED NUMBERS INDICATE METRES



UNDERGROUND STRUCTURES	B.M. ELEV.
SUPV. U/G STRUCTURES	DATE
LOCATION OF UNDERGROUND STRUCTURES AS SHOWN ARE BASED ON THE BEST INFORMATION AVAILABLE. BUT NO GUARANTEE IS GIVEN THAT ALL EXISTING UTILITIES ARE SHOWN OR THAT THE GIVEN LOCATIONS ARE EXACT. CONFIRMATION OF EXISTENCE AND EXACT LOCATION OF ALL SERVICES MUST BE OBTAINED FROM THE INDIVIDUAL UTILITIES BEFORE PROCEEDING WITH CONSTRUCTION.	
1	ISSUED FOR ADDENDUM 2 17/02/03 KK
O	ISSUED FOR TENDER 17/01/09 KK
NO.	REVISIONS DATE BY

<b>AECOM</b>	
DESIGNED BY	KKJT
CHECKED BY	SBB
DRAWN BY	KK
APPROVED BY	AN
HOR. SCALE	AS SHOWN
VERTICAL	RELEASED FOR CONSTRUCTION
DATE	06/01/2016
DATE	09/06/2016

ENGINEER'S SEAL  
PROVINCE OF MANITOBA  
J.A. THOMPSON  
Member  
30632  
REGISTERED PROFESSIONAL ENGINEER

**THE CITY OF WINNIPEG**  
PUBLIC WORKS DEPARTMENT

Waverley Street Underpass at CN Mile 3.89 Rivers Sub  
CONTRACT 2: UNDERPASS STRUCTURE, RAILWORKS, ROADWORKS, LAND DRAINAGE SEWER, PUMPING STATION AND LANDSCAPING WORKS

CITY DRAWING NUMBER: U-239-2016-C2-BS-006  
SHEET 6 OF 16

CONSULTANT DRAWING NUMBER: C2-BS-006

**PUMPING STATION STANDARD DETAILS**

P:\60321148\900-CAD\910-CAD\99-SUPPORT\PROJECT\_TITLE\_BLOCKS\Title\_Block\_for\_Pump\_Station\_works\1633853-XTB-C1-CU.dwg