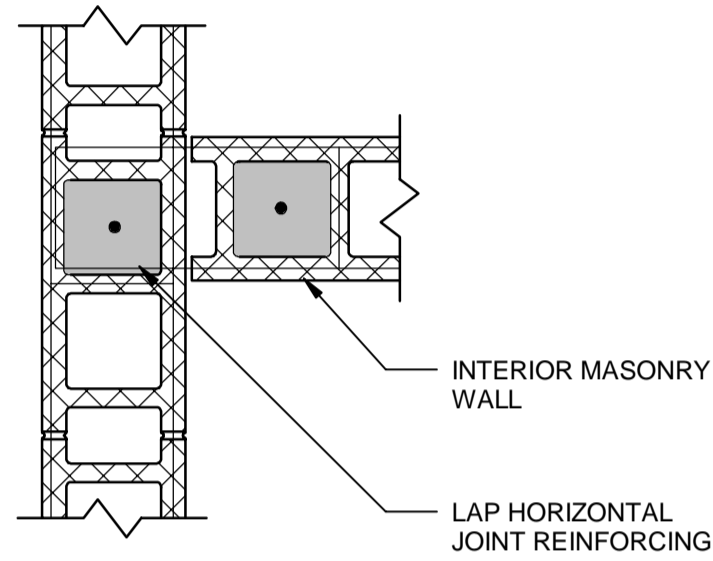


**STD CMU CONTROL JOINT**  
8 | **DETAIL**

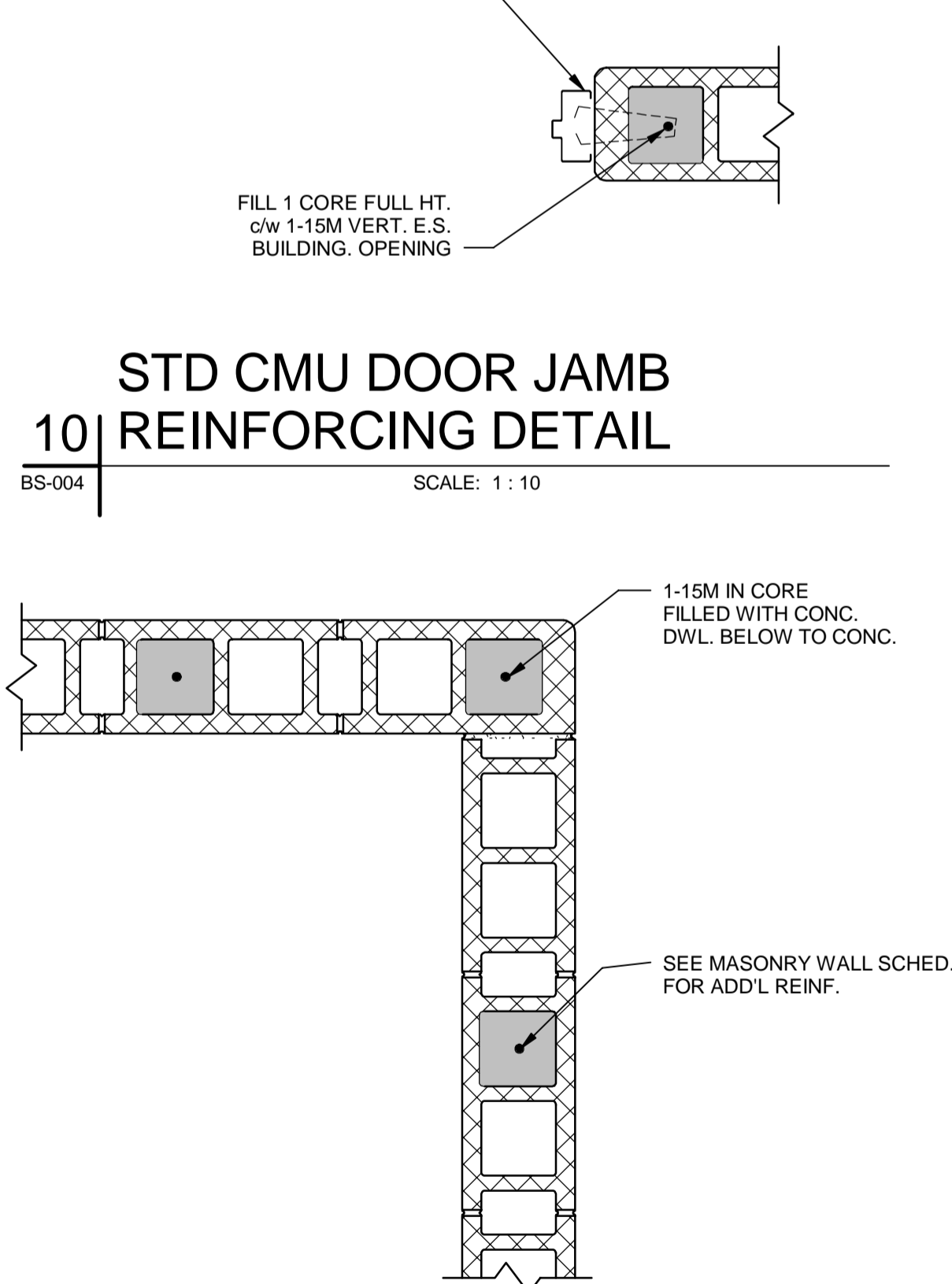
BS-004 SCALE: 1:10



**STD CMU INTERSECTING**  
9 | **WALL DETAIL**

BS-004 SCALE: 1:10

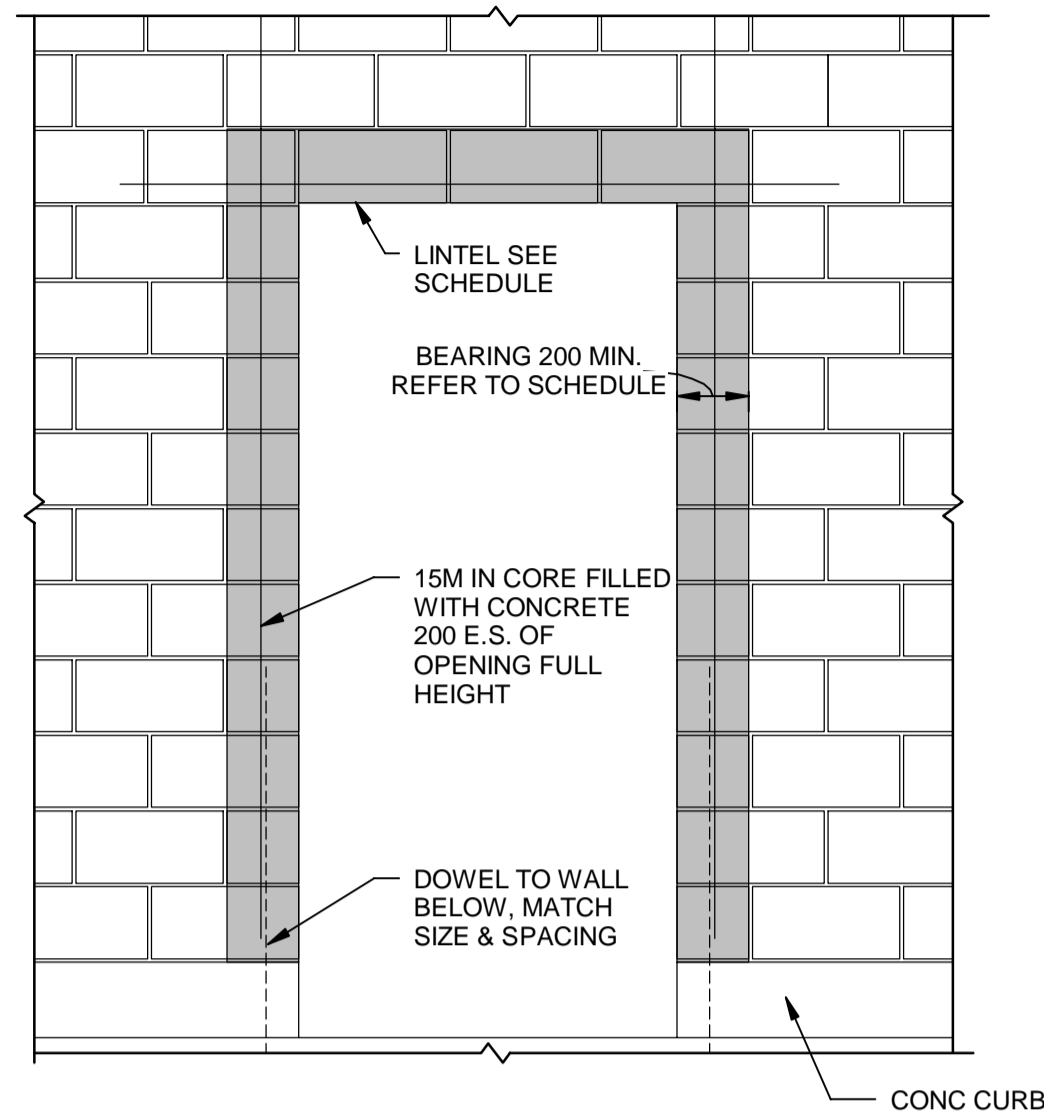
**STD CMU DOOR JAMB**  
10 | **REINFORCING DETAIL**



MASONRY WALL VERTICAL REINFORCING SHALL BE INSTALLED AT ALL CORNERS IN MASONRY WALLS & AT END OF MASONRY WALLS.

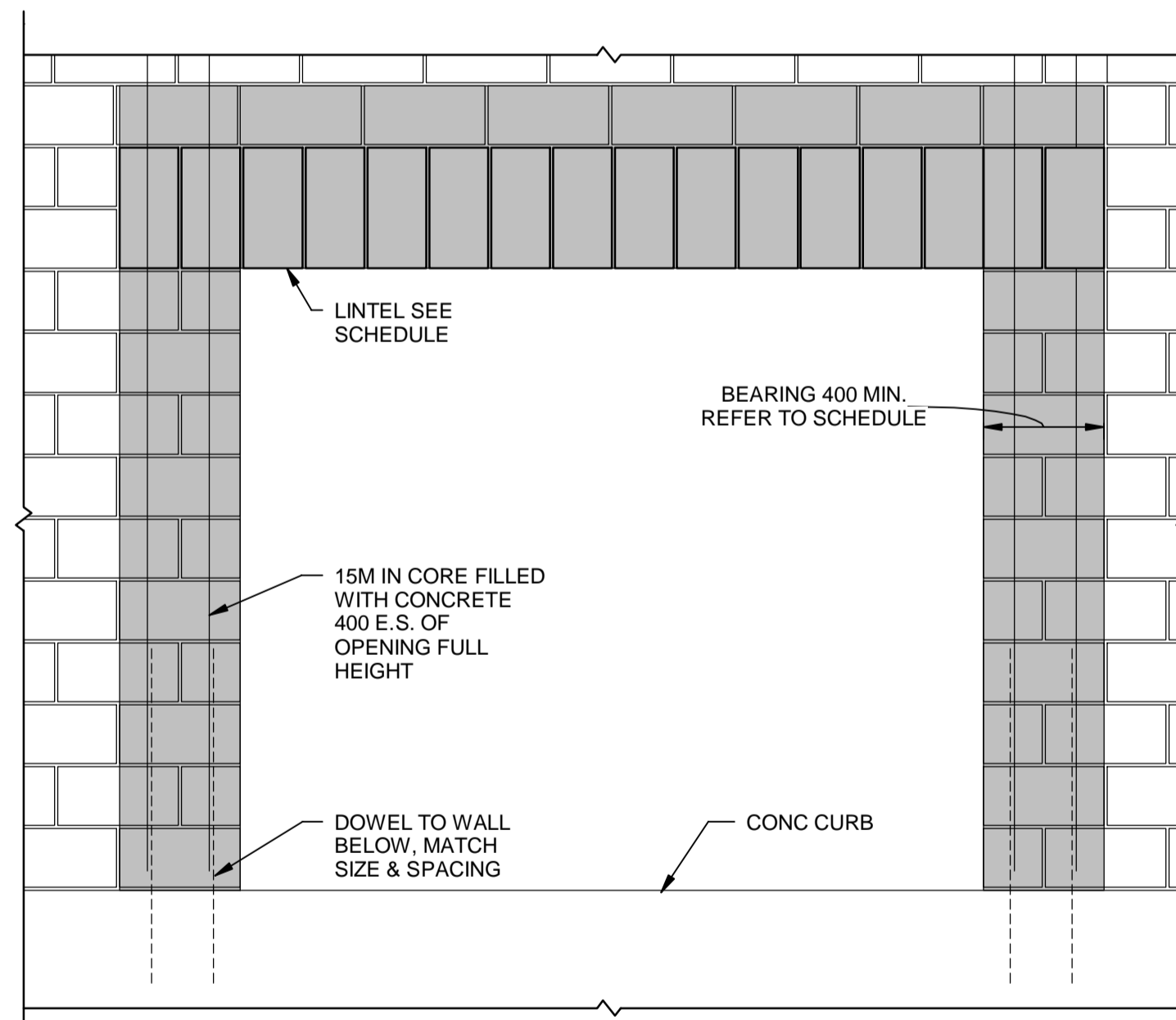
**STD CMU REINFORCING**  
11 | **DETAIL**

BS-004 SCALE: 1:10



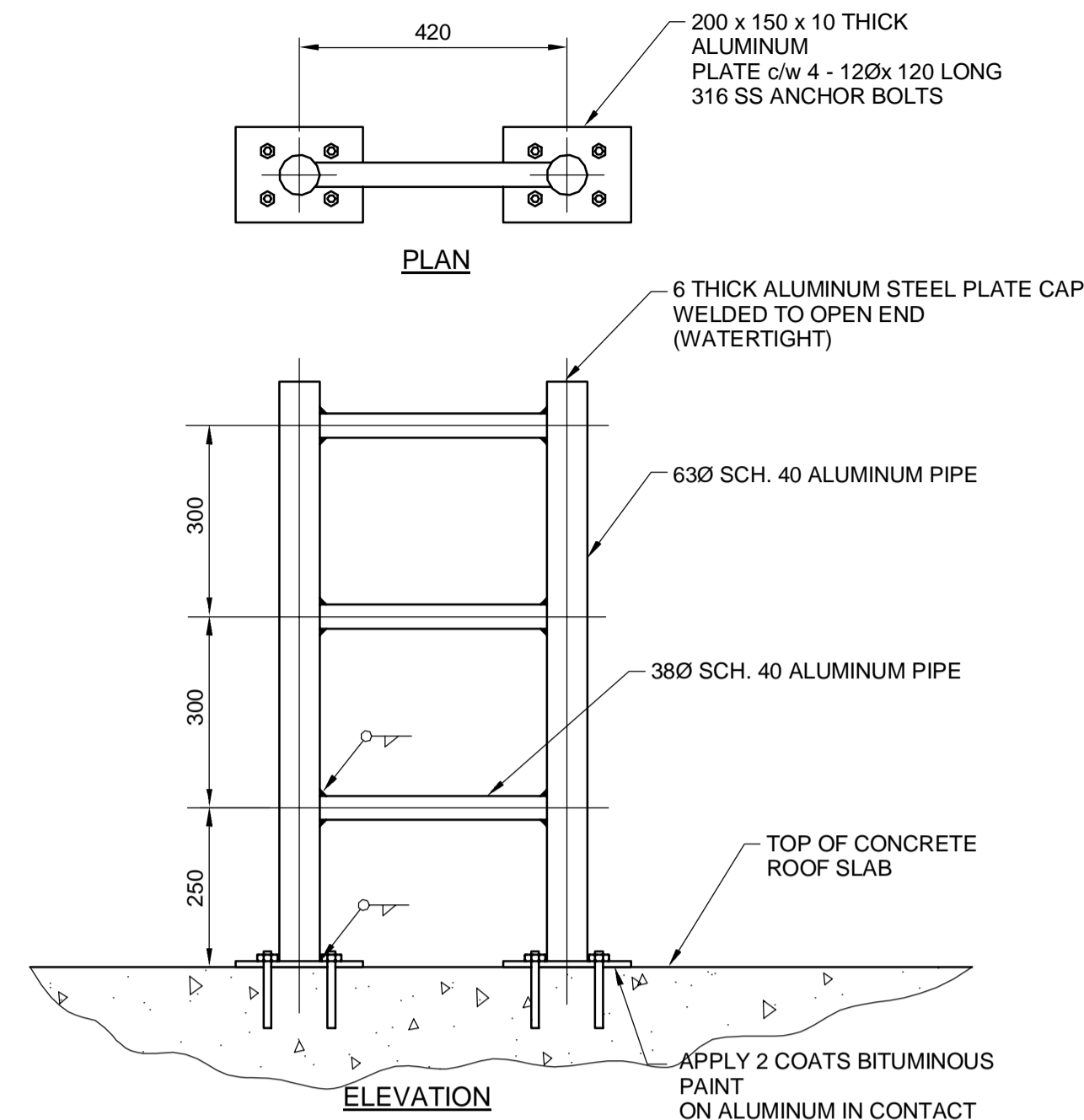
**STD CMU WALK-IN DOOR**  
12 | **DETAIL**

BS-004 SCALE: 1:20



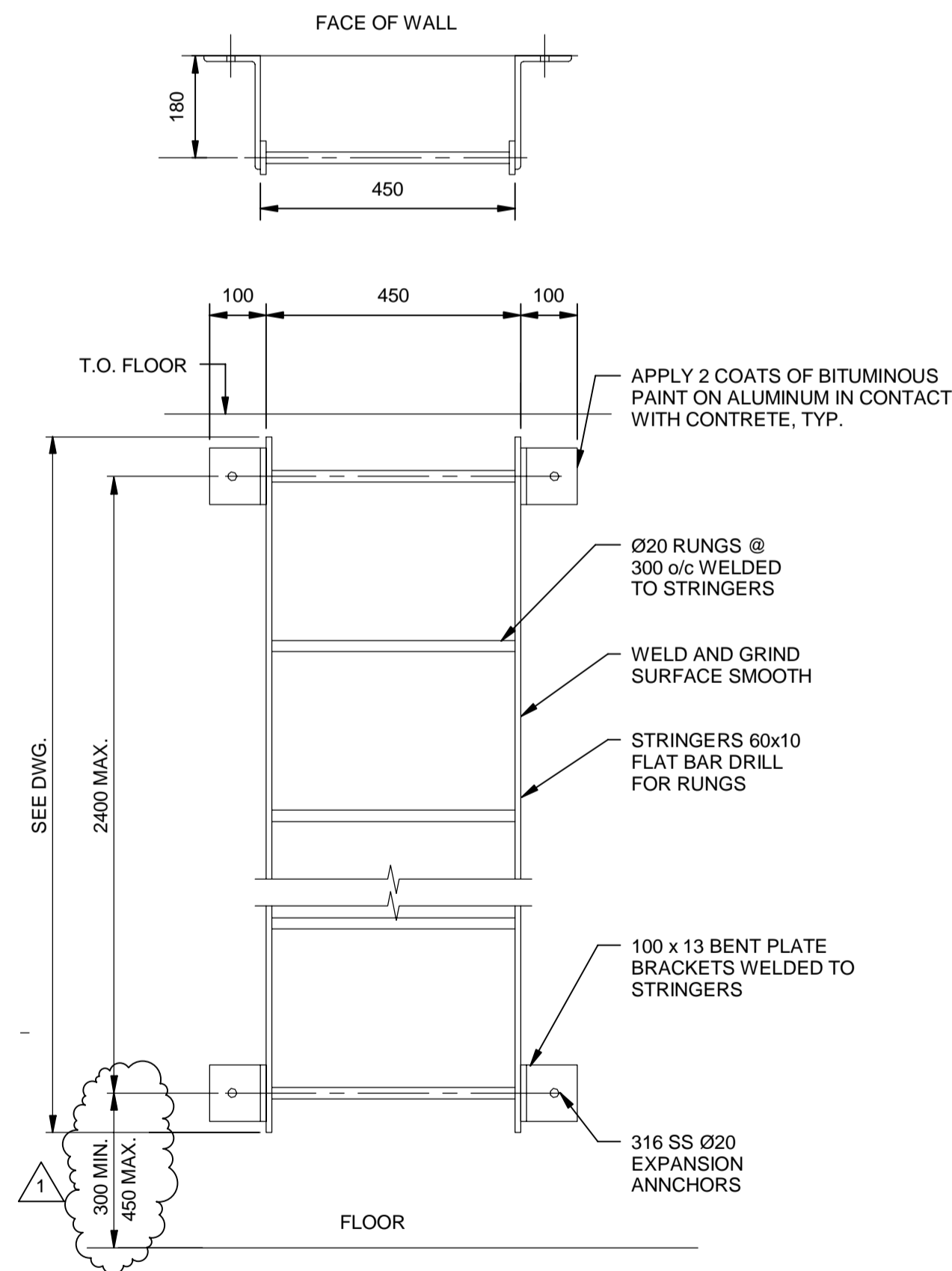
**STD DETAIL**  
13 | **CMU LOUVER OPENING**

BS-004 SCALE: 1:20



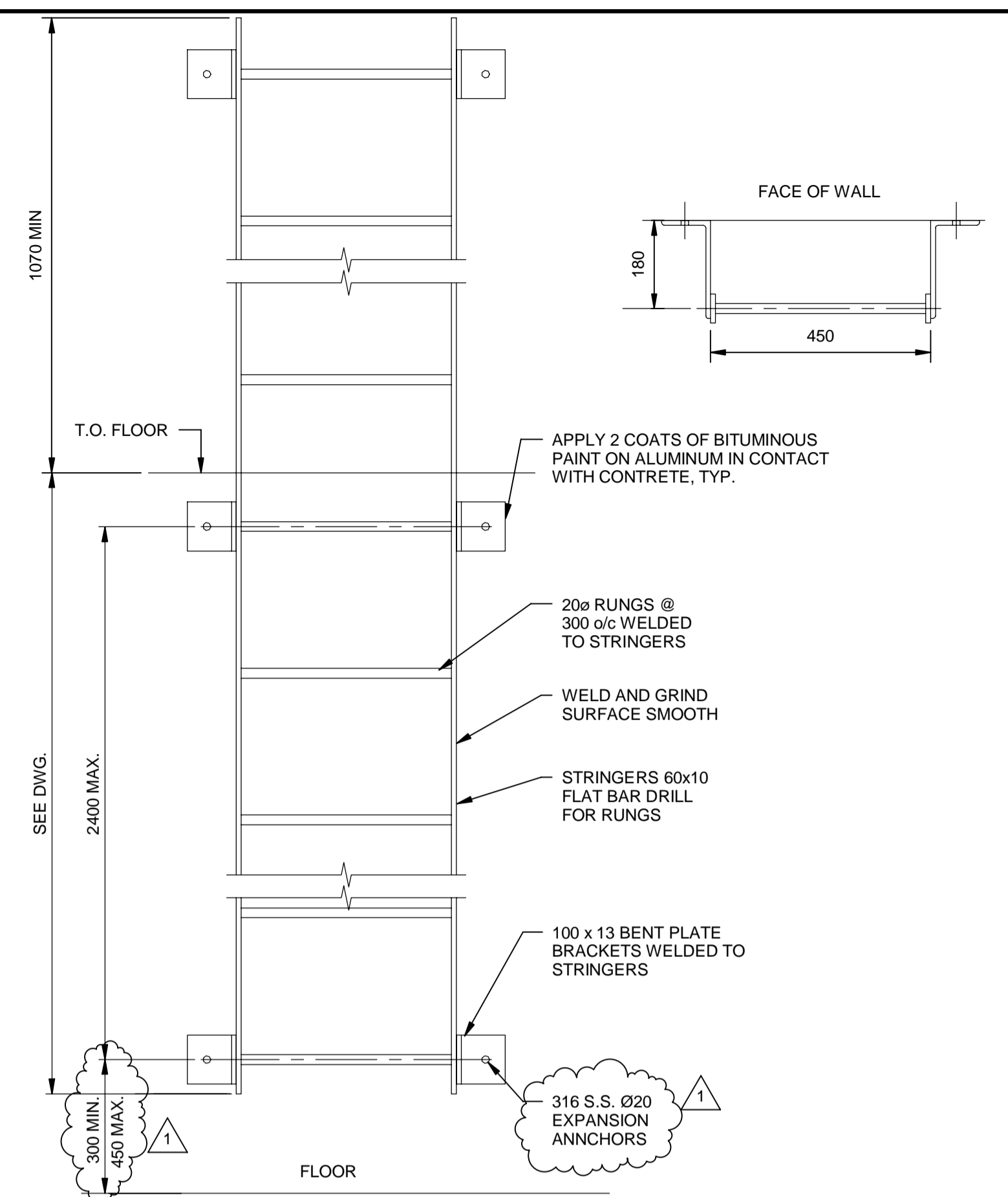
**STD DETAIL ALUM. HAND**  
14 | **HOLD**

BS-004 SCALE: 1:10



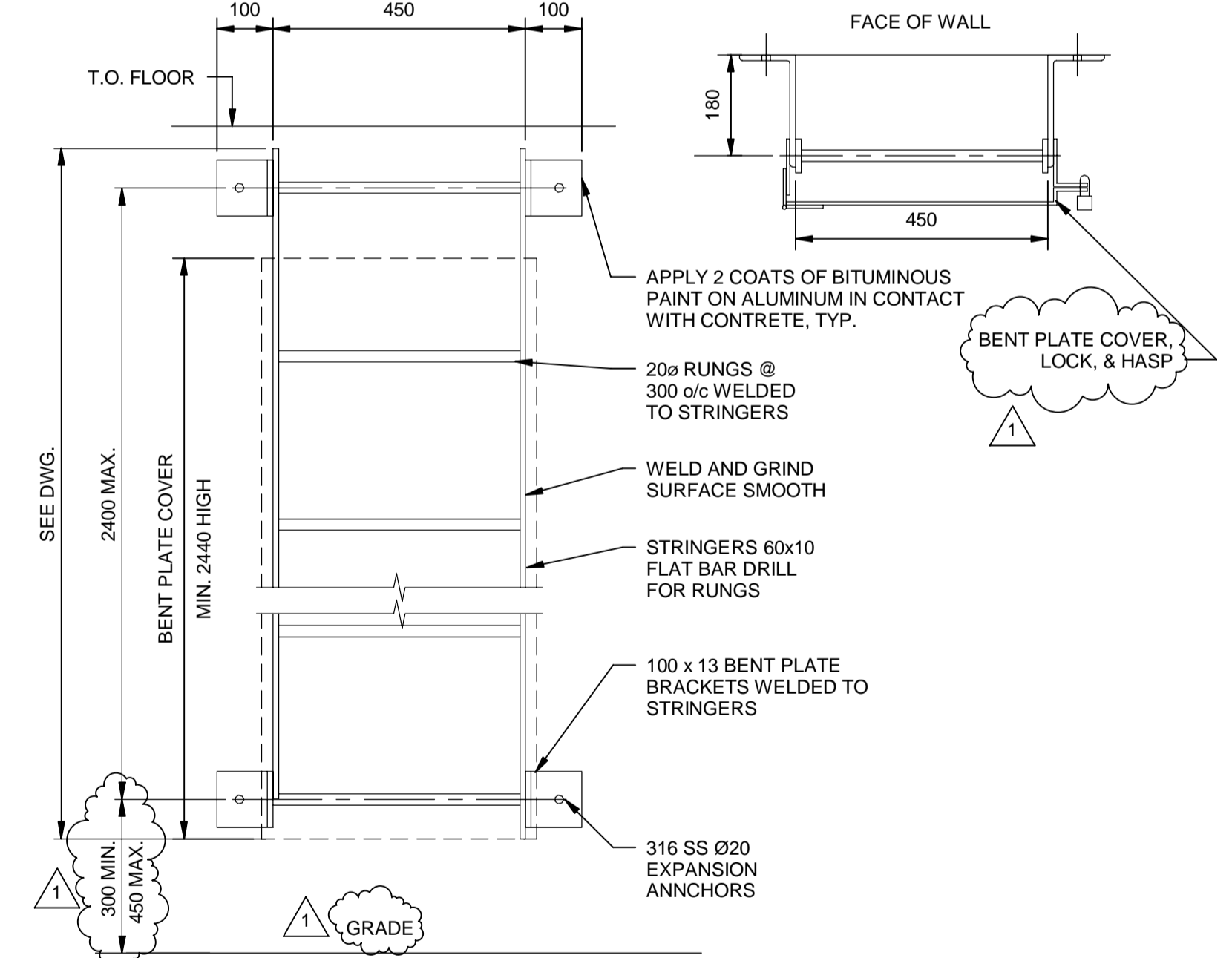
**TYPICAL ALUM. LADDER**  
15

BS-004 SCALE: 1:10



**TYPICAL ALUM. LADDER w/**  
16 | **EXTENSION**

BS-004 SCALE: 1:10



**TYPICAL ALUM. LADDER w/**  
17 | **COVER PLATE**

BS-004 SCALE: 1:10

**METRIC**  
WHOLE NUMBERS INDICATE MILLIMETRES  
DECIMALIZED NUMBERS INDICATE METRES

UNDERGROUND STRUCTURES		B.M. ELEV.
SUPV. U/G STRUCTURES	DATE	
1	ISSUED FOR ADDENDUM 4	17/02/22
0	ISSUED FOR TENDER	17/01/09
NO.	REVISIONS	DATE BY

DESIGNED BY		CHECKED BY	
KK/JT		SBB	
DRAWN BY		APPROVED BY	
KK		AN	
HOR. SCALE		RELEASED FOR CONSTRUCTION	
AS SHOWN			
VERTICAL		DATE	
		06/01/2016	09/06/2016

**AECOM**

DESIGNED BY: KK/JT  
CHECKED BY: SBB  
DRAWN BY: KK  
APPROVED BY: AN  
HOR. SCALE: AS SHOWN  
VERTICAL: AS SHOWN  
RELEASED FOR CONSTRUCTION: DATE 06/01/2016 DATE 09/06/2016

ENGINEER'S SEAL  
PROVINCE OF MANITOBA  
J.A. THOMPSON  
Member  
30632  
REGISTERED PROFESSIONAL ENGINEER

**THE CITY OF WINNIPEG**  
PUBLIC WORKS DEPARTMENT

Waverley Street Underpass at CN Mile 3.89 Rivers Sub  
CONTRACT 2: UNDERPASS STRUCTURE, RAILWORKS, ROADWORKS, LAND DRAINAGE SEWER, PUMPING STATION AND LANDSCAPING WORKS

CITY DRAWING NUMBER: U-239-2016-C2-BS-004  
SHEET 4 OF 16  
CONSULTANT DRAWING NUMBER: C2-BS-004

**PUMPING STATION**  
STANDARD DETAILS

**APEGM**  
Certificate of Authorization  
AECOM Canada Ltd.  
No. 4671 Date: \_\_\_\_\_

P:\60321148\900-Work\910-CAD\99-SUPPORT\PROJECT\_TITLE\_BLOCKS\Title\_Block\_for\_Pump\_Station\_works\163853-XTB-C1-CU.dwg