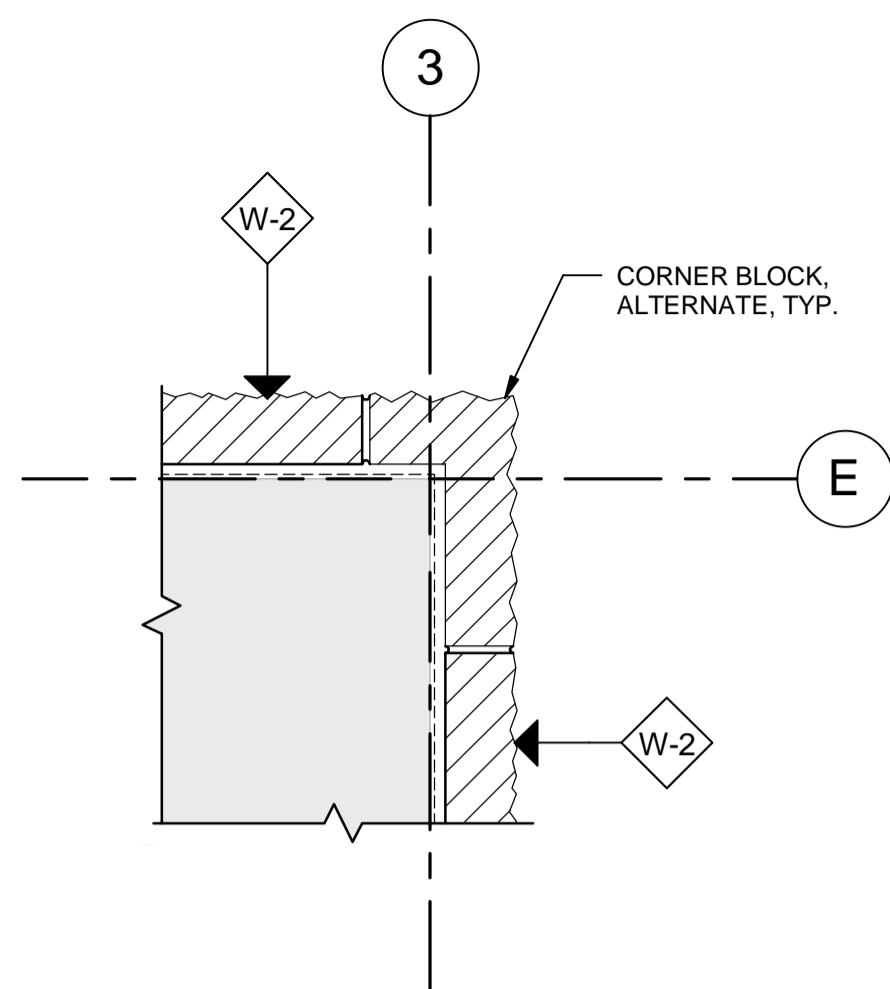
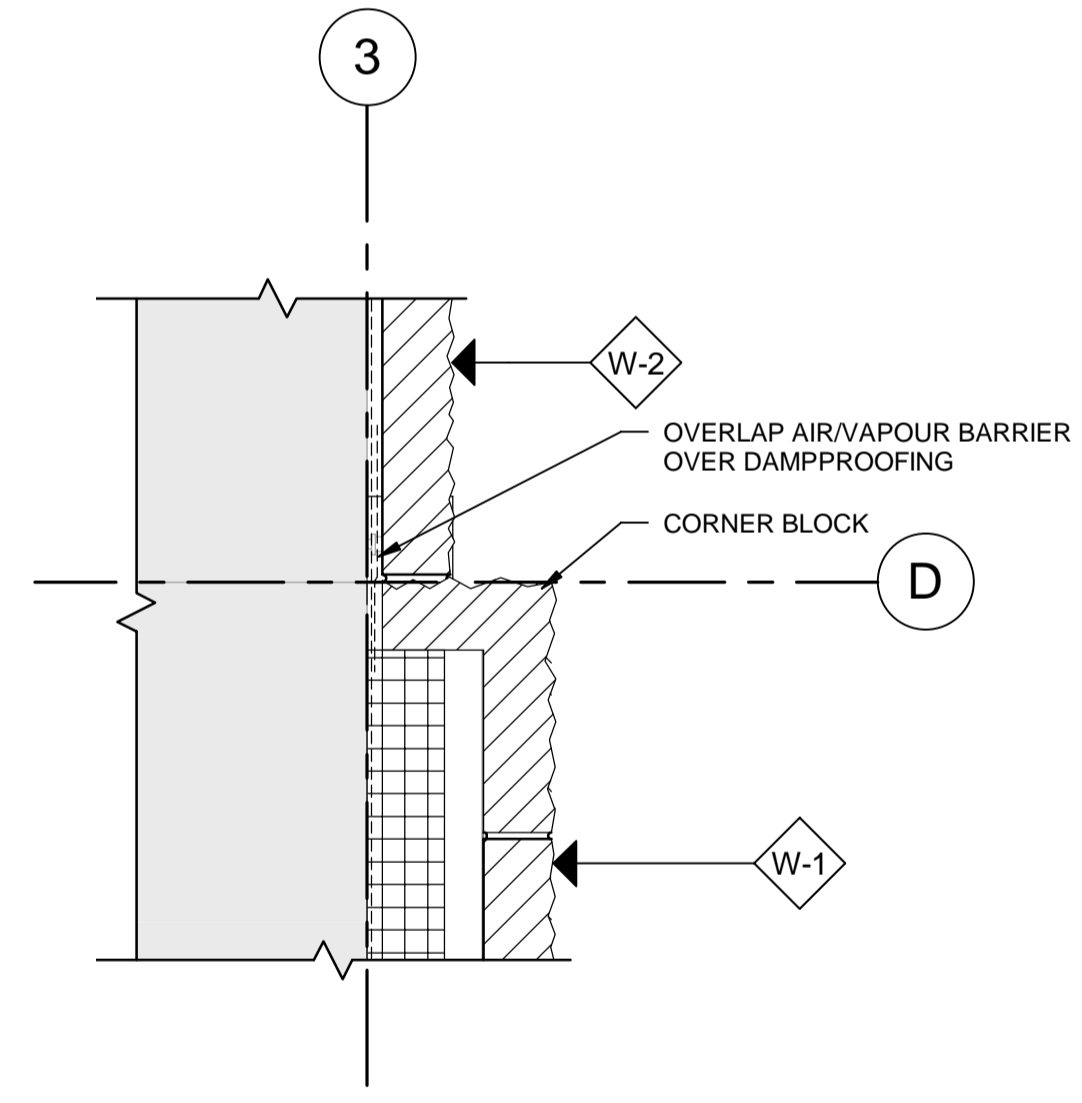


1 | ARCH_MAIN LEVEL
BB-101 | SCALE: 1 : 50



3 | PLAN DETAIL
BB-101 | REF: BB-101 | SCALE: 1 : 10



2 | PLAN DETAIL
BB-101 | REF: BB-101 | SCALE: 1 : 10

AECM
Certificate of Authorization
AECOM Canada Ltd.
No. 4671 Date: _____

METRIC
WHOLE NUMBERS INDICATE MILLIMETRES
DECIMALIZED NUMBERS INDICATE METRES

UNDERGROUND STRUCTURES SUPPLY U/G STRUCTURES DATE <small>LOCATION OF UNDERGROUND STRUCTURES AS SHOWN ARE BASED ON THE BEST INFORMATION AVAILABLE. BUT NO GUARANTEE IS GIVEN THAT ALL EXISTING UTILITIES ARE SHOWN OR THAT THE GIVEN LOCATIONS ARE EXACT. CONFIRMATION OF EXISTENCE AND EXACT LOCATION OF ALL SERVICES MUST BE OBTAINED FROM THE INDIVIDUAL UTILITIES BEFORE PROCEEDING WITH CONSTRUCTION.</small>	B.M. ELEV. <table border="1"> <tr><td> </td><td> </td><td> </td><td> </td></tr> <tr><td> </td><td> </td><td> </td><td> </td></tr> <tr><td> </td><td> </td><td> </td><td> </td></tr> <tr><td> </td><td> </td><td> </td><td> </td></tr> <tr><td> </td><td> </td><td> </td><td> </td></tr> </table>																						DESIGNED BY: KK CHECKED BY: GGP DRAWN BY: KK APPROVED BY: AN HOR. SCALE: AS SHOWN VERTICAL: AS SHOWN RELEASED FOR CONSTRUCTION: _____ DATE: 06/01/2016 DATE: 09/06/2016			THE CITY OF WINNIPEG PUBLIC WORKS DEPARTMENT WAVERLEY STREET UNDERPASS AT CN MILE 3.89 RIVERS SUB CONTRACT 2: UNDERPASS STRUCTURE, RAILWORKS, ROADWORKS, LAND DRAINAGE SEWER, PUMPING STATION AND LANDSCAPING WORKS	CITY DRAWING NUMBER U-239-2016-C2-BB-101 SHEET 4 OF 9
CONSULTANT PROJECT NUMBER 60321148	PUMPING STATION MAIN LEVEL PLAN	CONSULTANT DRAWING NUMBER C2-BB-101																									

P:\60321148\900-Work\910-CAD\99-SUPPORT\PROJECT_TITLE_BLOCKS\Title Block for Pump Station works\1633853-XTB-C1-CU.dwg