

Branch Panel: PNL-U70E

Location: CONTROL ROOM RM-M-121
 Supply From: XFMR-U70E
 Mounting: MCC BUILT-IN
 Enclosure: Type 1

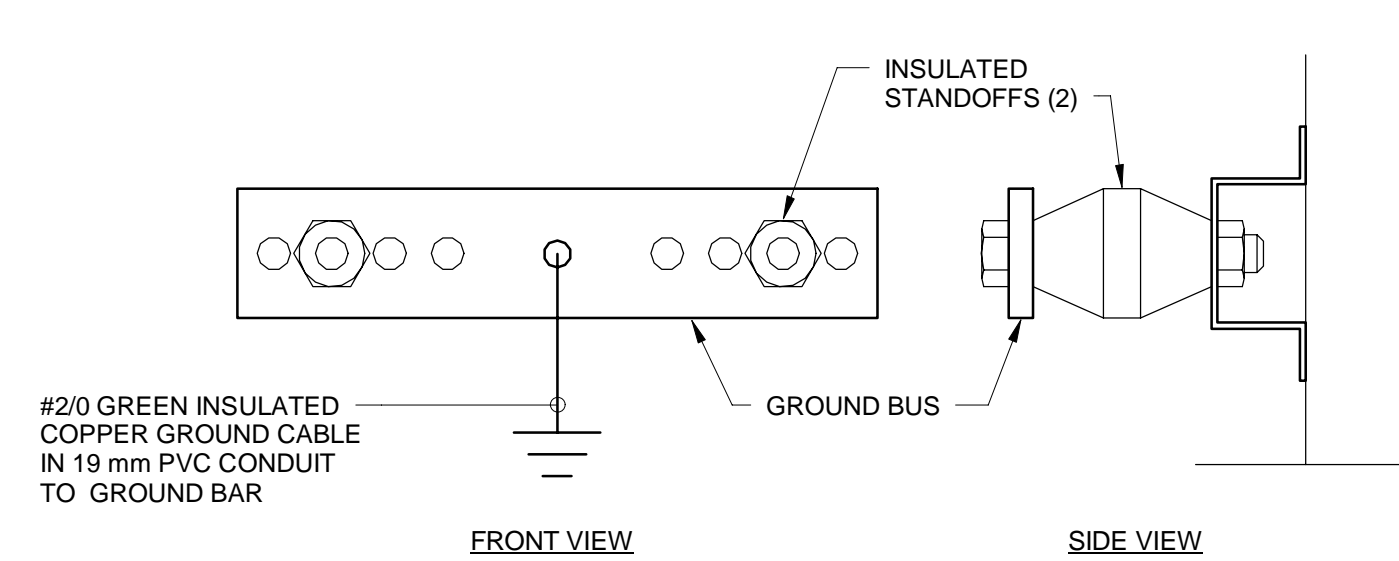
Volts: 120/208 Wye
 Phases: 3
 Wires: 4

A.I.C. Rating:
 Mains Type:
 Mains Rating: 225 A
 MCB Rating: 225 A

Notes:

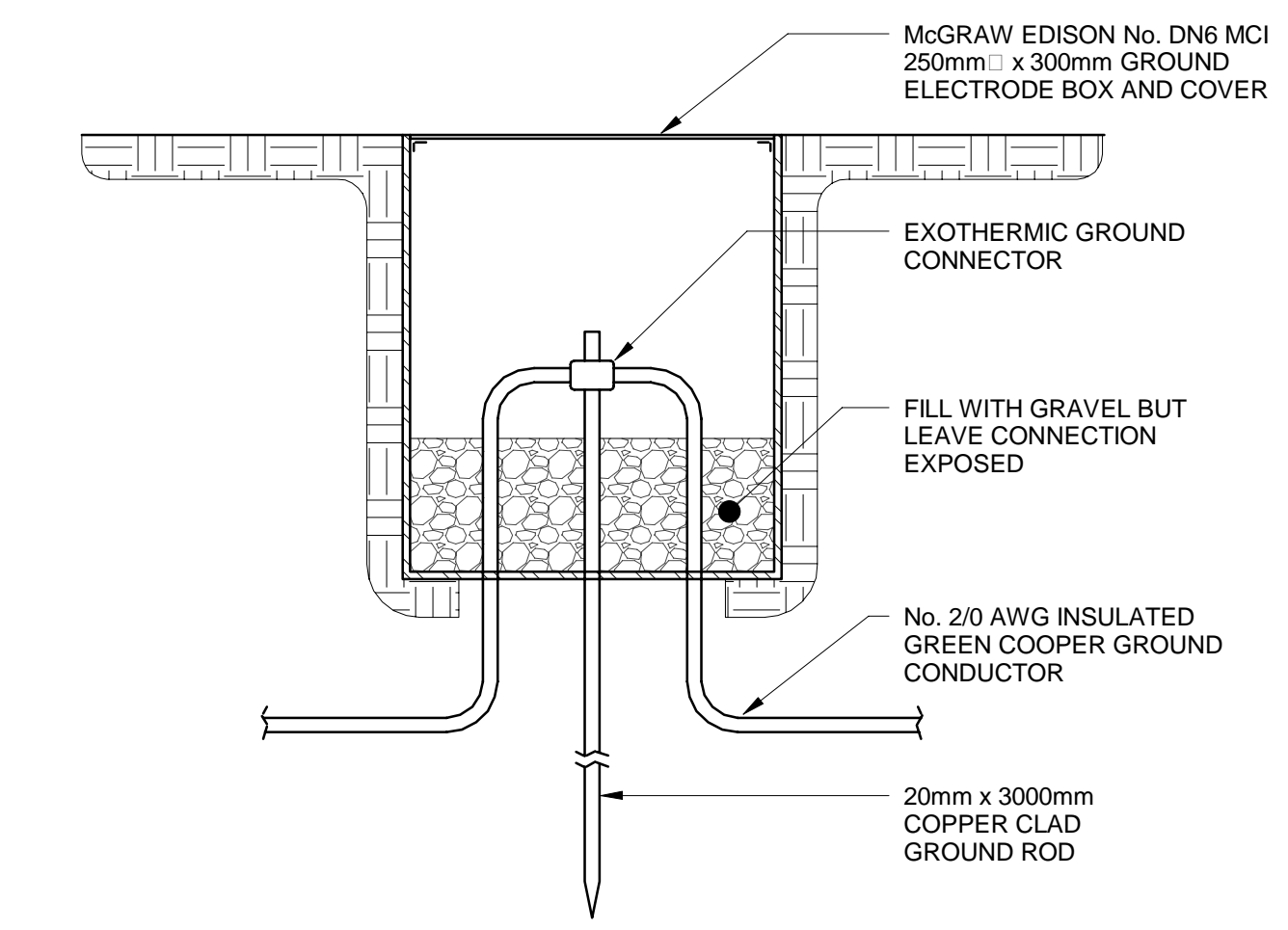
CKT	Circuit Description	Trip	Poles	A	B	C	Poles	Trip	Circuit Description	CKT
1	EXTERIOR RECEPTACLE	15 A	1				1	15 A	EXTERIOR LIGHTING	2
3	GENERATOR ROOM RECEPTACLES	15 A	1				1	15 A	CONTROL ROOM LIGHTING, EXIT & EMERG.	4
5	CONTROL ROOM RECEPTACLES	15 A	1				1	15 A	GENERATOR ROOM LIGHTING, EXIT & EMERG.	6
7	CHAMBER LIGHTING	15 A	1				1	15 A	GENERATOR BATTERY CHARGER	8
9	GENERATOR BLOCK HEATER	40 A	2				1	15 A	MAIN PLC CABINET	10
11	--	--	--				1	15 A	CONTROL PANEL	12
13	HEAT TRACE	GFCI 15 A	2				1	15 A	ULTRASONIC LEVEL	14
15	--	--	--				1	15 A	SF-U-21 SUPPLY FAN GENERATOR ROOM	16
17	RECEPTACLE FOR MTS SERVICE	15 A	1							18
19										20
21										22
23										24
25										26
27										28
29										30
31										32
33										34
35										36
37										38
39	BRIDGE LIGHTING	NOTE 1 15 A	1							40
41	BRIDGE LIGHTING	NOTE 1 15 A	1							42

NOTES:
 1. REFER TO DILLION CONSULTING DRAWINGS C2-CS-062 AND C2-CS-063.



- NOTES:**
- NEW COPPER GROUND BAR (1000x100x6 - EACH ELECTRICAL ROOM) WITH HOLES PREPUNCHED FOR DOUBLE BOLT CONNECTORS AND INSULATED STANDOFFS. CONNECT NEW #2/0 GROUND CABLE.
 - GROUND CONNECTORS TO BE TAGGED ON BOTH ENDS IDENTIFYING LOCATION AND DEVICE.
 - GROUND CABLE TO BE INSTALLED ON SUPPORTS WHERE POSSIBLE. PROVIDE SUPPORTS WHERE NEEDED.

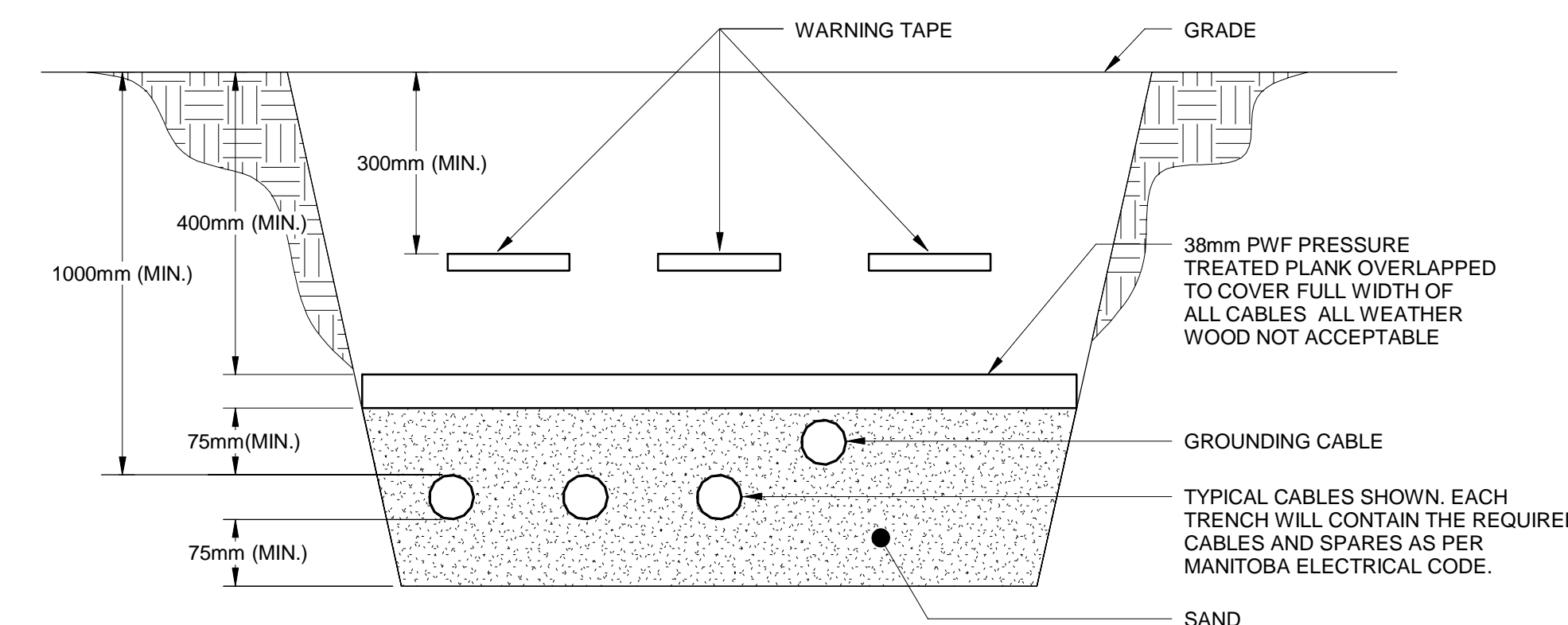
2 GROUNDING BAR DETAIL
 BE-006 SCALE: N.T.S.



3 GROUND WELL DETAIL
 BE-006 SCALE: N.T.S.

LUMINAIRE SCHEDULE

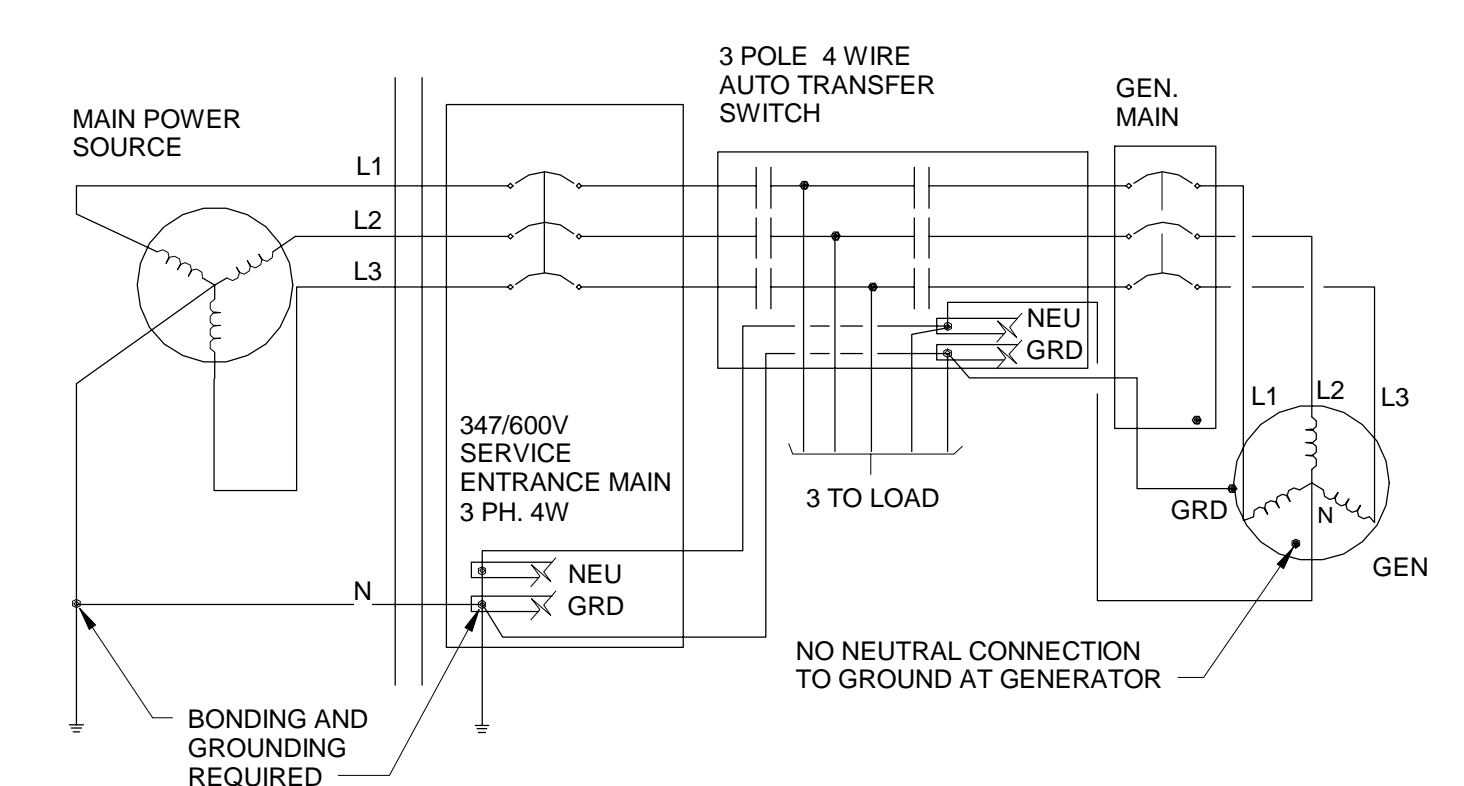
SYMBOL	LABEL	TYPE	VOLTS	LAMP	DESCRIPTION	MANUFACTURER CATALOG NUMBER	MOUNTING
[Symbol]	A	LED	120V		LONG LIFE LED FIXTURE WITH FIBERGLASS GASKETED HOUSING. MINIMUM 50000 HOURS, CUL LISTED.	METALUX: 4VT2-LD4-6-DR-UNV-L835-U COMPLETE SET WITH INSTALLATION KIT VT2-CHAIN/SET U	SURFACE MOUNTING
[Symbol]	B	LED	120V		SUITABLE FOR CLASS 1 ZONE 1 AND CATEGORY 1 ENVIRONMENT, CUL LISTED OR CSA CERTIFIED.	RIG-A-LITE: SXPJ10LUGGW1	WALL MOUNTING
[Symbol]	C	LED	120V	100W	INCLUDE VANDAL RESISTANCE PACKAGE AND PHOTOCELL	KEENE: SS3LED32704KUNVPCBP	WALL MOUNTING
[Symbol]	D	LED	120 TO 347V AC, 12V DC	6W MR16	CSA 22.2 No. 141-10 CERTIFIED PICTOGRAM EXIT SIGN WITH SOLID METAL CONSTRUCTION, ILLUMINATED BY LONG-LIFE WHITE LED AND TWIN EMERGENCY LED EMERGENCY LIGHTS, UNIVERSAL AC INPUT: TWO-WIRE 120 TO 347VAC, MAINTENANCE-FREE LEAD-CALCIUM BATTERY.	EMERGI-LITE: EAC1W12502LGUN	UNIVERSAL MOUNTING
[Symbol]	D1	LED	12VDC	6W MR16	CSA 22.2 No. 250 CERTIFIED REMOTE FIXTURES, WHITE COLOUR, MR16 LED LAMPS, WIRE TO D FIXTURE.	EMERGI-LITE: EF9DLG	WALL MOUNTING



4 DIRECT BURIED TRENCH
 BE-006 SCALE: N.T.S.

HEATER SCHEDULE

TAG	LOCATION	MANUFACTURER	MODEL	HEATING CAPACITY, KW	VOLTS/Ph/Hz	THERMOSTAT
UH-U70E-01	CONTROL ROOM RM-M-121	CALORITECH	GE-05-8-T	5	600/3/60	INTEGRAL
UH-U70-02	GENERATOR ROOM RM-M-122	CALORITECH	GE-05-8-T	5	600/3/60	INTEGRAL
UH-U70-03	INTERMEDIATE LEVEL	RUFFNECK	FX5-600360-100-T	10	600/3/60	INTEGRAL
UH-U70-04	INTERMEDIATE LEVEL	RUFFNECK	FX5-600360-100-T	10	600/3/60	INTEGRAL



5 STANDBY GENERATOR GROUNDING
 BE-006 SCALE: N.T.S.

APEGM
 Certificate of Authorization
 AECOM Canada Ltd.
 No. 4671 Date: _____

METRIC
 WHOLE NUMBERS INDICATE MILLIMETRES
 DECIMALIZED NUMBERS INDICATE METRES

UNDERGROUND STRUCTURES SUPV. U/G STRUCTURES DATE	B.M. ELEV.	AECOM		ENGINEER'S SEAL PROVINCE OF MANITOBA R. BOGDANOV Member 33564 REGISTERED PROFESSIONAL ENGINEER	THE CITY OF WINNIPEG PUBLIC WORKS DEPARTMENT WINNIPEG
		DESIGNED BY RB DRAWN BY RC HOR. SCALE AS SHOWN VERTICAL	CHECKED BY LCS APPROVED BY SS RELEASED FOR CONSTRUCTION DATE 06/01/2016		
LOCATION OF UNDERGROUND STRUCTURES AS SHOWN ARE BASED ON THE BEST INFORMATION AVAILABLE. BUT NO GUARANTEE IS GIVEN THAT ALL EXISTING UTILITIES ARE SHOWN OR THAT THE GIVEN LOCATIONS ARE EXACT. CONFIRMATION OF EXISTENCE AND EXACT LOCATION OF ALL SERVICES MUST BE OBTAINED FROM THE INDIVIDUAL UTILITIES BEFORE PROCEEDING WITH CONSTRUCTION.		ISSUED FOR TENDER 17/01/09 RC		PUMPING STATION SCHEDULES AND DETAILS	

P:\03221148\900-Work\910-CAD\99-SUPPORT\PROJECT_TITLE_BLOCKS\Title Block for Pump Station works\1633853-XTB-C1-CU.dwg