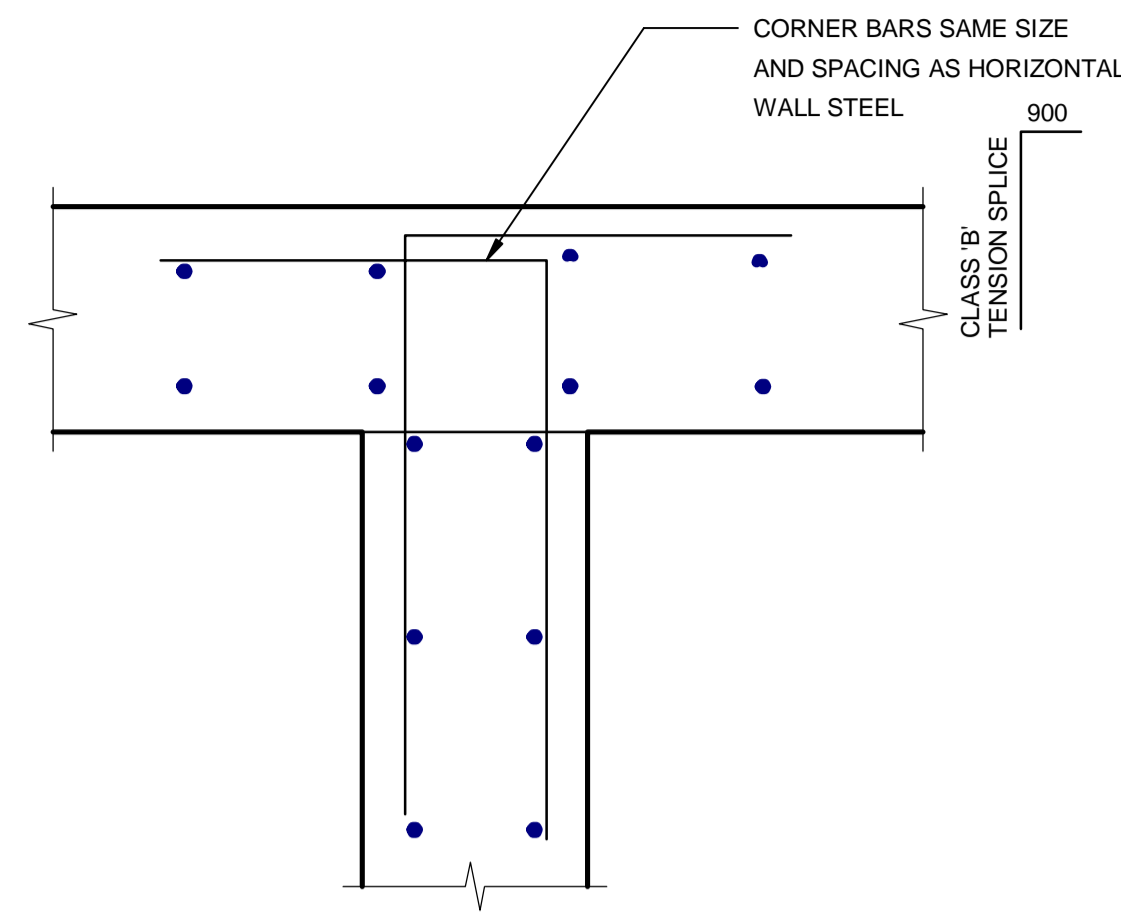


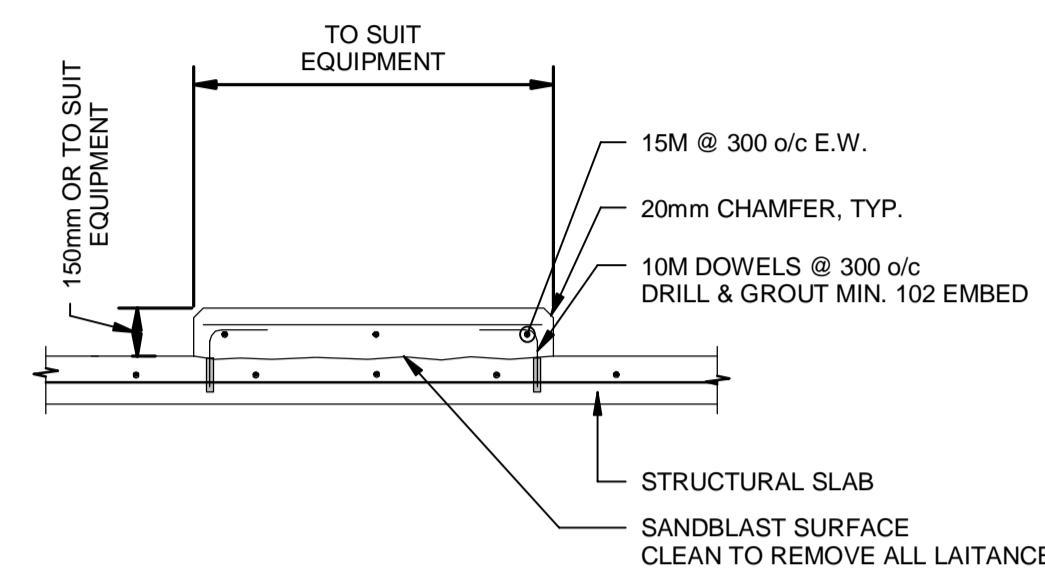
**1 | WALL CORNER REINFORCING DETAIL**

BS-003 SCALE: 1:20



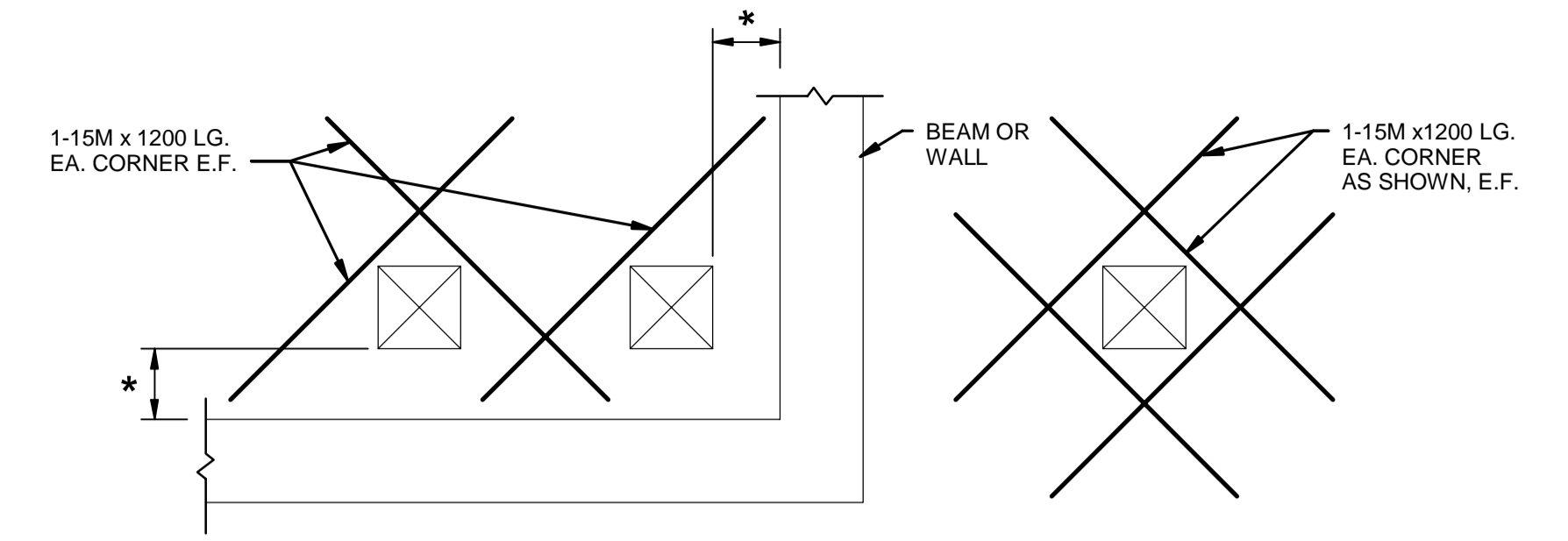
**2 | STD DETAIL WALL INTERSECTION REINFORCING**

BS-003 SCALE: 1:20



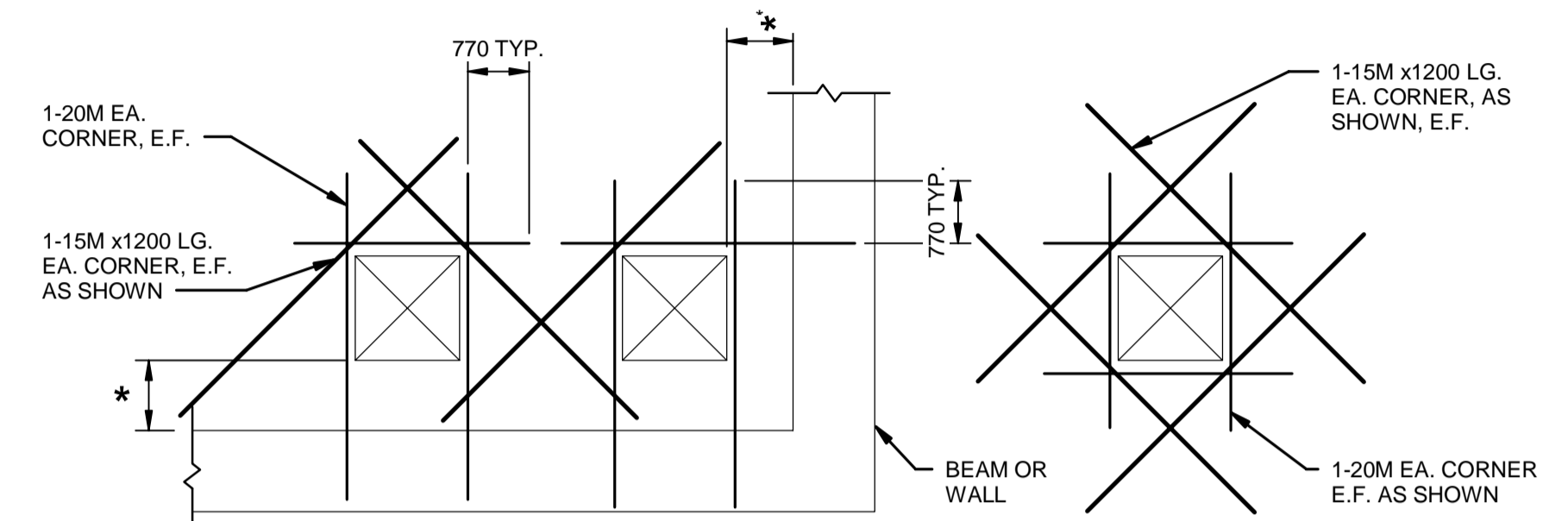
**3 | STD DETAIL HOUSEKEEPING PAD**

BS-003 SCALE: NTS



**PLAN SHOWING EXTRA REINF. AROUND OPENING 150 TO 280**

**WHEN OPENING IS MORE THAN 300 FROM BEAM OR WALL**



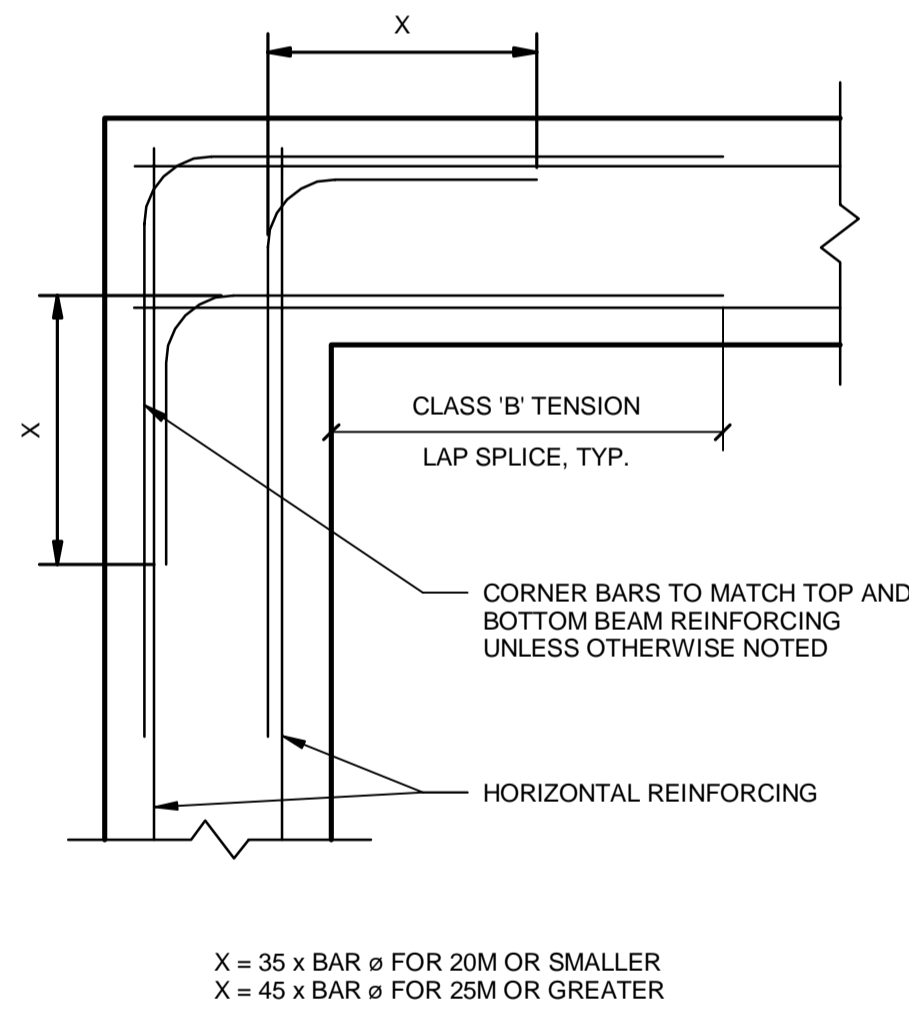
**PLAN SHOWING EXTRA REINF. AROUND OPENING 300 TO 760**

**WHEN OPENING IS MORE THAN 300 FROM BEAM OR WALL**

1. NUMBER OF REINFORCING BARS TO BE CUT AT OPENING TO BE KEPT AT A MINIMUM. DEFLECT AS MANY BARS AS POSSIBLE AROUND OPENING.
2. REINFORCING BARS TO BE KEPT MINIMUM 50 CLEAR OF OPENING.
3. CIRCULAR OPENINGS TO BE TREATED IN SAME MANNER AS RECTANGULAR UNLESS OTHERWISE DETAILED.

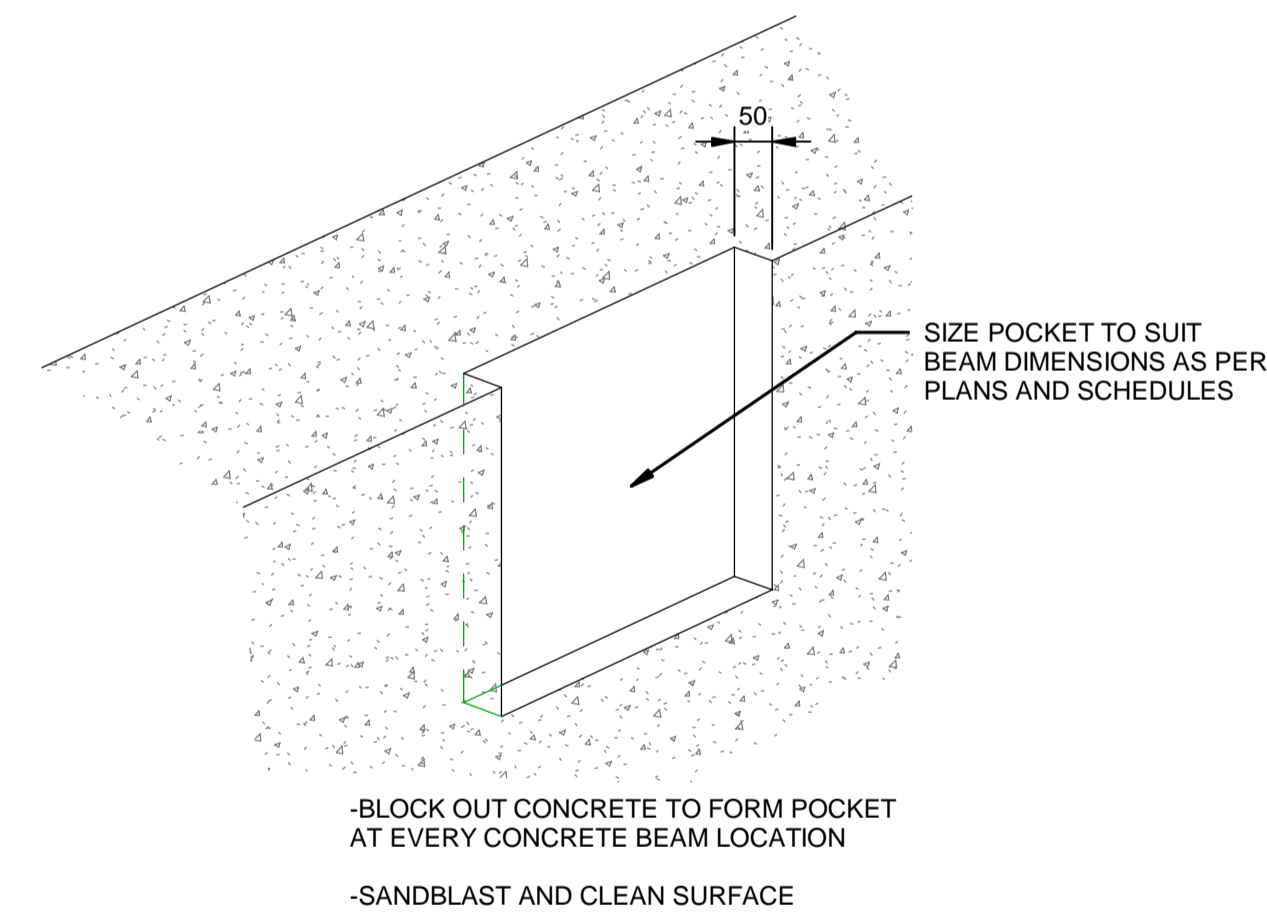
**STD DETAIL ADDITIONAL REINFORCING AROUND OPENINGS WALLS AND SLABS**

BS-003 SCALE: 1:20



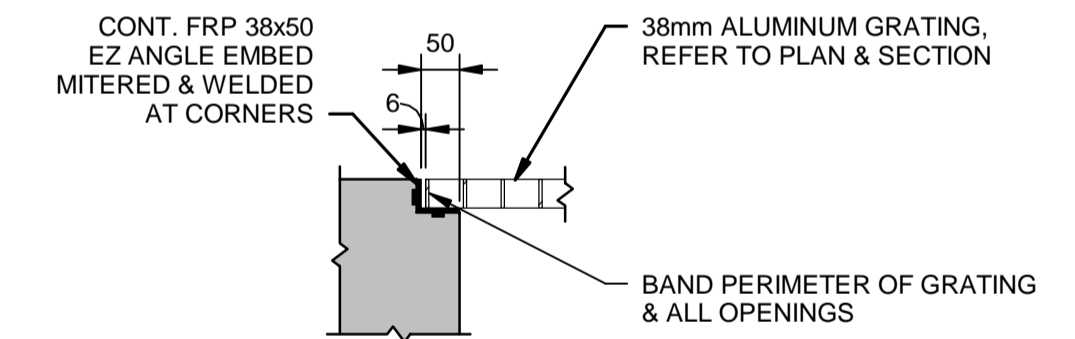
**4 | DETAIL - BEAM CORNER REINFORCING DETAIL**

BS-003 SCALE: NTS



**5 | STD DETAIL TYPICAL BEAM POCKET**

BS-003 SCALE: 1:10



**7 | STD DETAIL - ALUMINUM GRATING**

BS-003 SCALE: 1:10

**METRIC**  
WHOLE NUMBERS INDICATE MILLIMETRES  
DECIMALIZED NUMBERS INDICATE METRES



UNDERGROUND STRUCTURES		B.M. ELEV.
SUPV. U/G STRUCTURES	DATE	
LOCATION OF UNDERGROUND STRUCTURES AS SHOWN ARE BASED ON THE BEST INFORMATION AVAILABLE. BUT NO GUARANTEE IS GIVEN THAT ALL EXISTING UTILITIES ARE SHOWN OR THAT THE GIVEN LOCATIONS ARE EXACT. CONFIRMATION OF EXISTENCE AND EXACT LOCATION OF ALL SERVICES MUST BE OBTAINED FROM THE INDIVIDUAL UTILITIES BEFORE PROCEEDING WITH CONSTRUCTION.		

<b>AECOM</b>	
DESIGNED BY KK/JT	CHECKED BY SBB
DRAWN BY KK	APPROVED BY AN
HOR. SCALE AS SHOWN	RELEASED FOR CONSTRUCTION
VERTICAL	
O ISSUED FOR TENDER	17/01/09 KK
NO. REVISIONS	DATE BY DATE
	06/01/2016
	09/06/2016

ENGINEER'S SEAL  
PROVINCE OF MANITOBA  
**J.A. THOMPSON**  
Member  
30632  
REGISTERED PROFESSIONAL ENGINEER

**THE CITY OF WINNIPEG**  
PUBLIC WORKS DEPARTMENT

Waverley Street Underpass at CN Mile 3.89 Rivers Sub  
Contract 2: Underpass Structure, Railworks, Roadworks, Land Drainage Sewer, Pumping Station and Landscaping Works

CITY DRAWING NUMBER  
U-239-2016-C2-BS-003

SHEET 3 OF 16

CONSULTANT DRAWING NUMBER  
C2-BS-003

**PUMPING STATION**  
STANDARD DETAILS

P:\60321148\900-CAD\910-CAD\99-SUPPORT\PROJECT\_TITLE\_BLOCKS\Title\_Block\_for\_Pump\_Station\_works\1633853-XTB-C1-CU.dwg