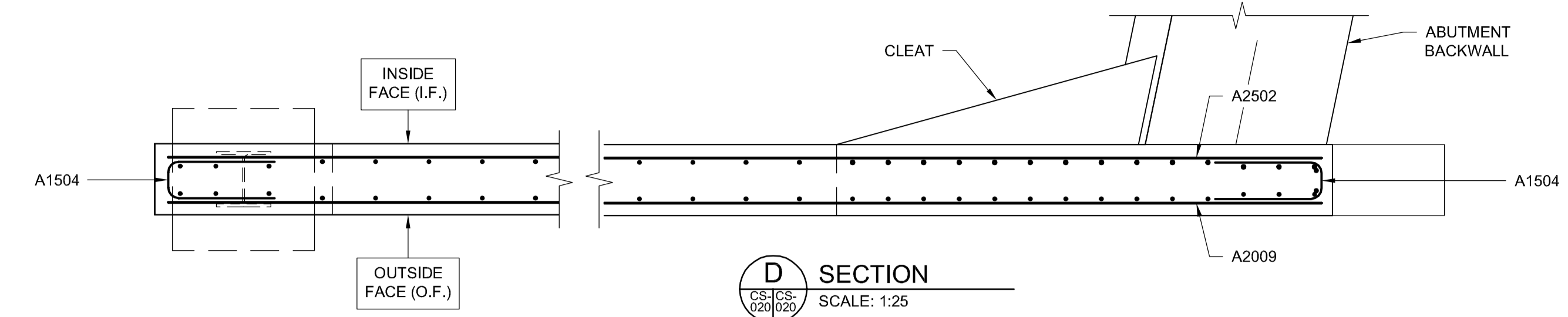
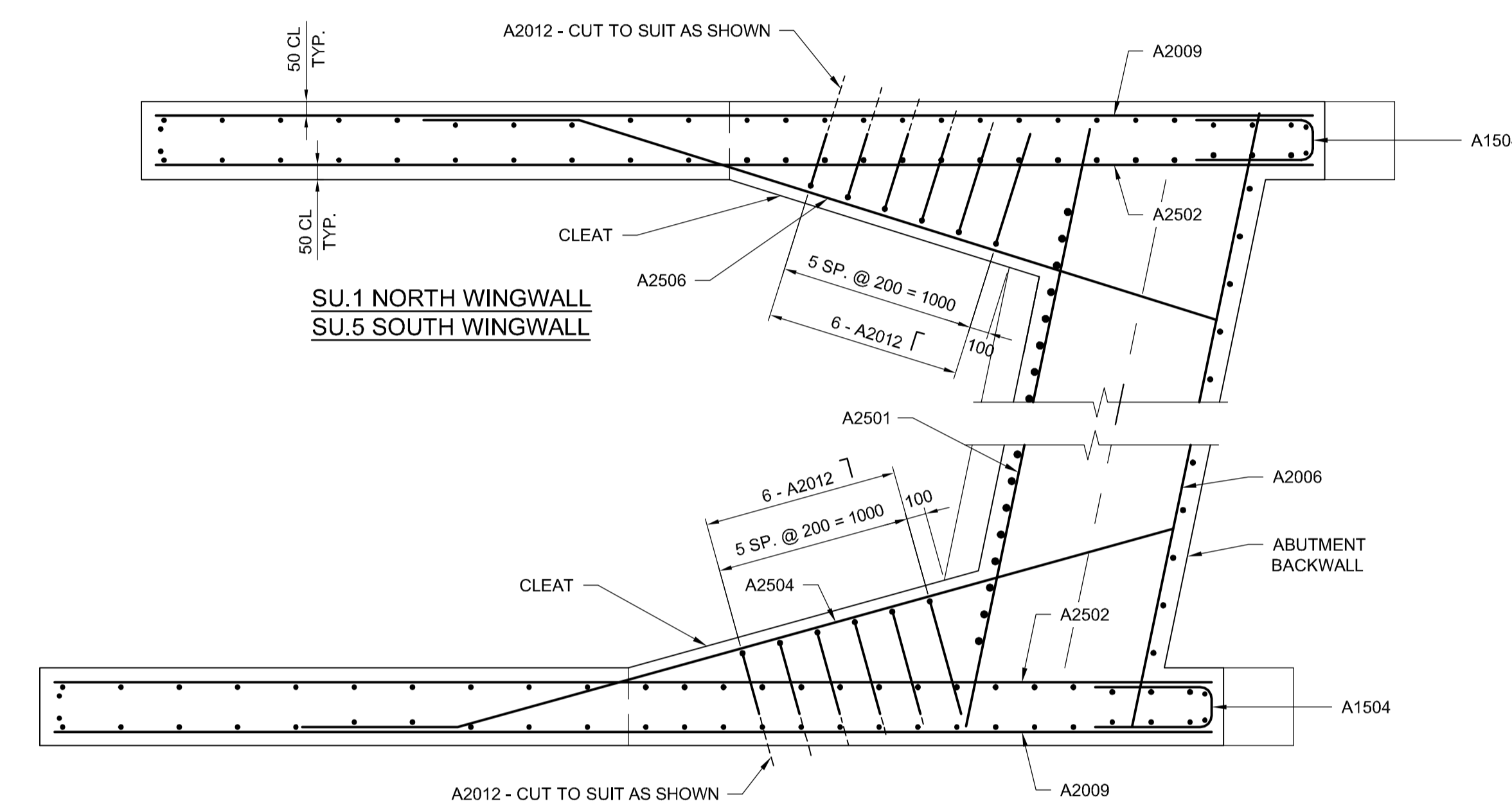


TYPICAL WINGWALL ELEVATION

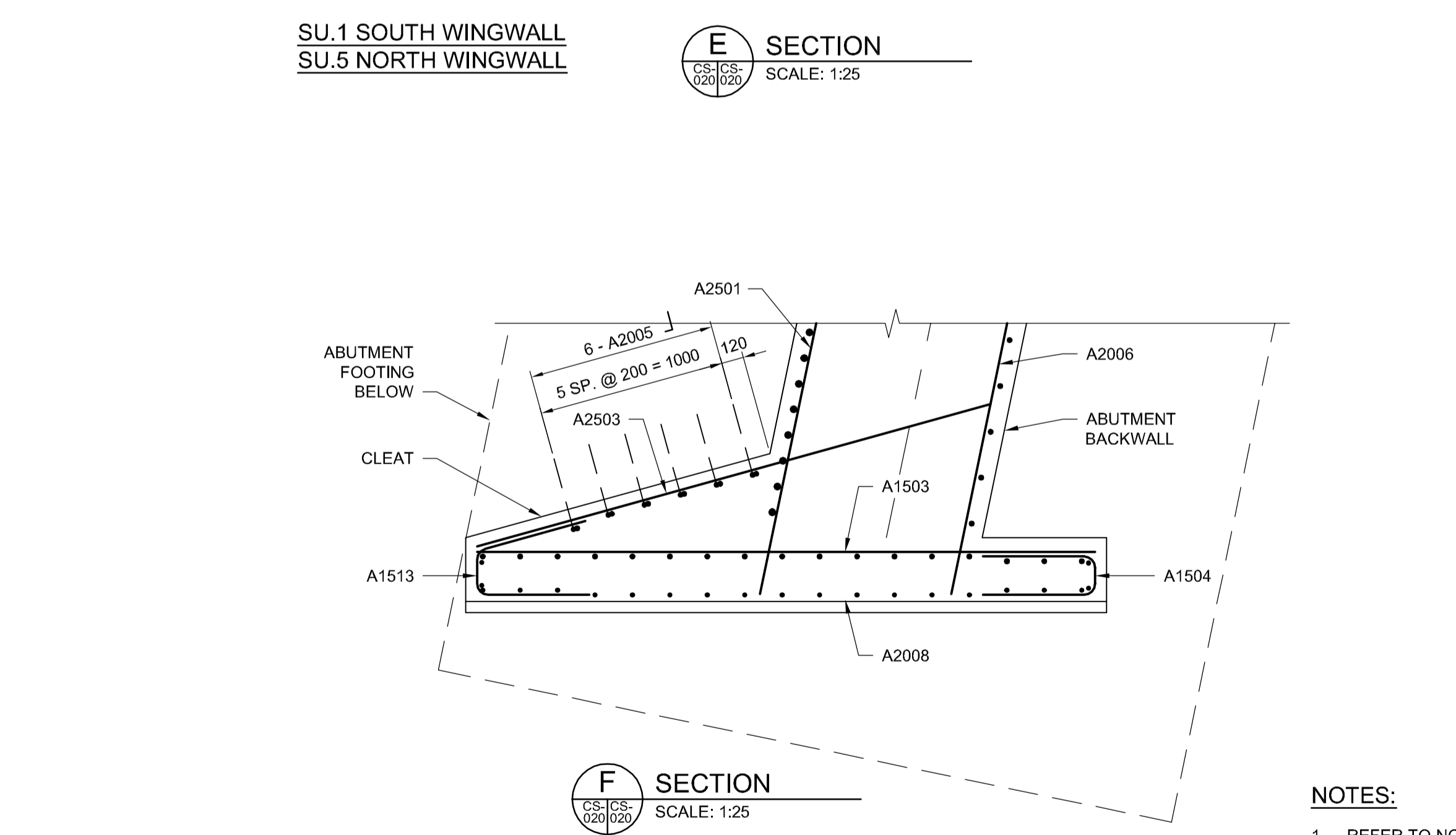
SCALE: 1:150
SU.1 SHOWN, SU.5 SIMILAR



D SECTION
SCALE: 1:25

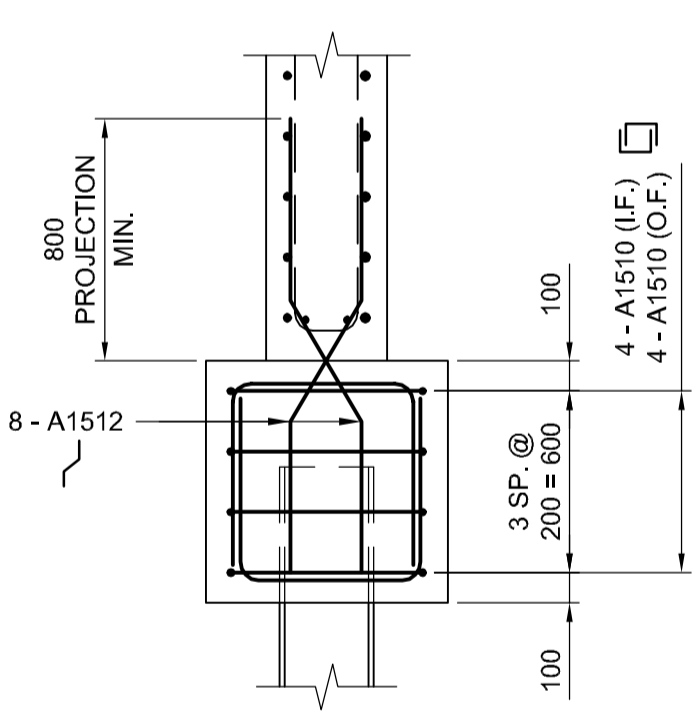


E SECTION
SCALE: 1:25

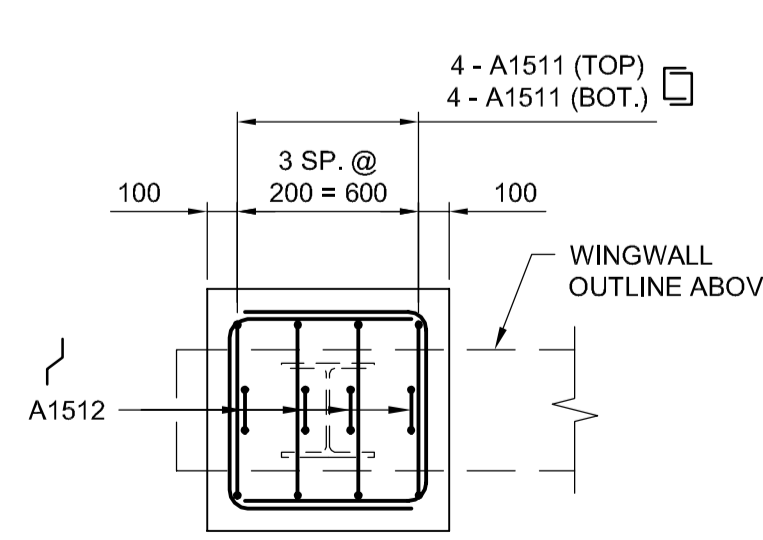


F SECTION
SCALE: 1:25

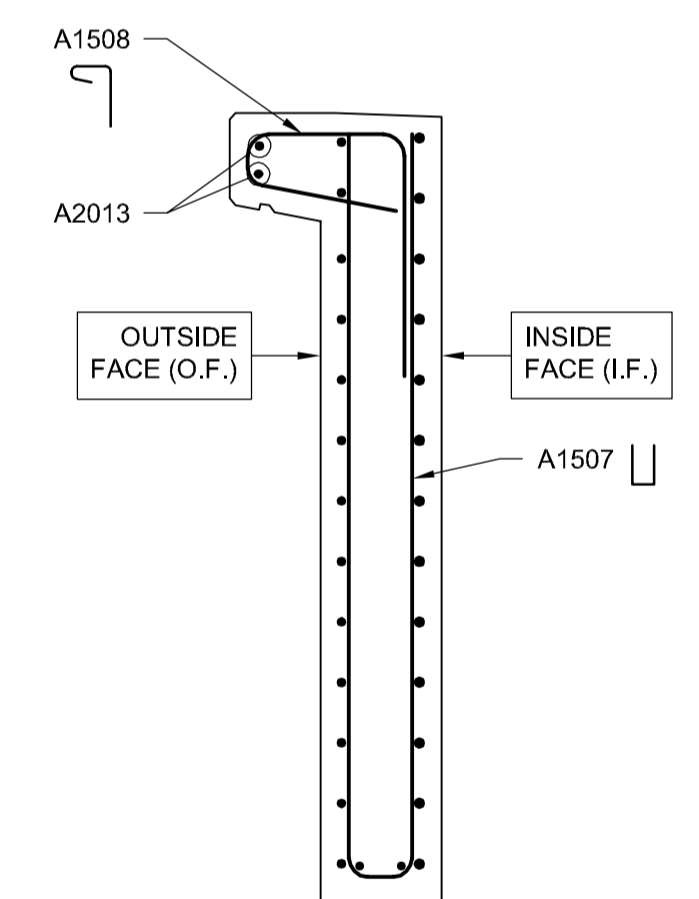
NOTES:
1. REFER TO NOTES ON SHEET C2-CS-019.



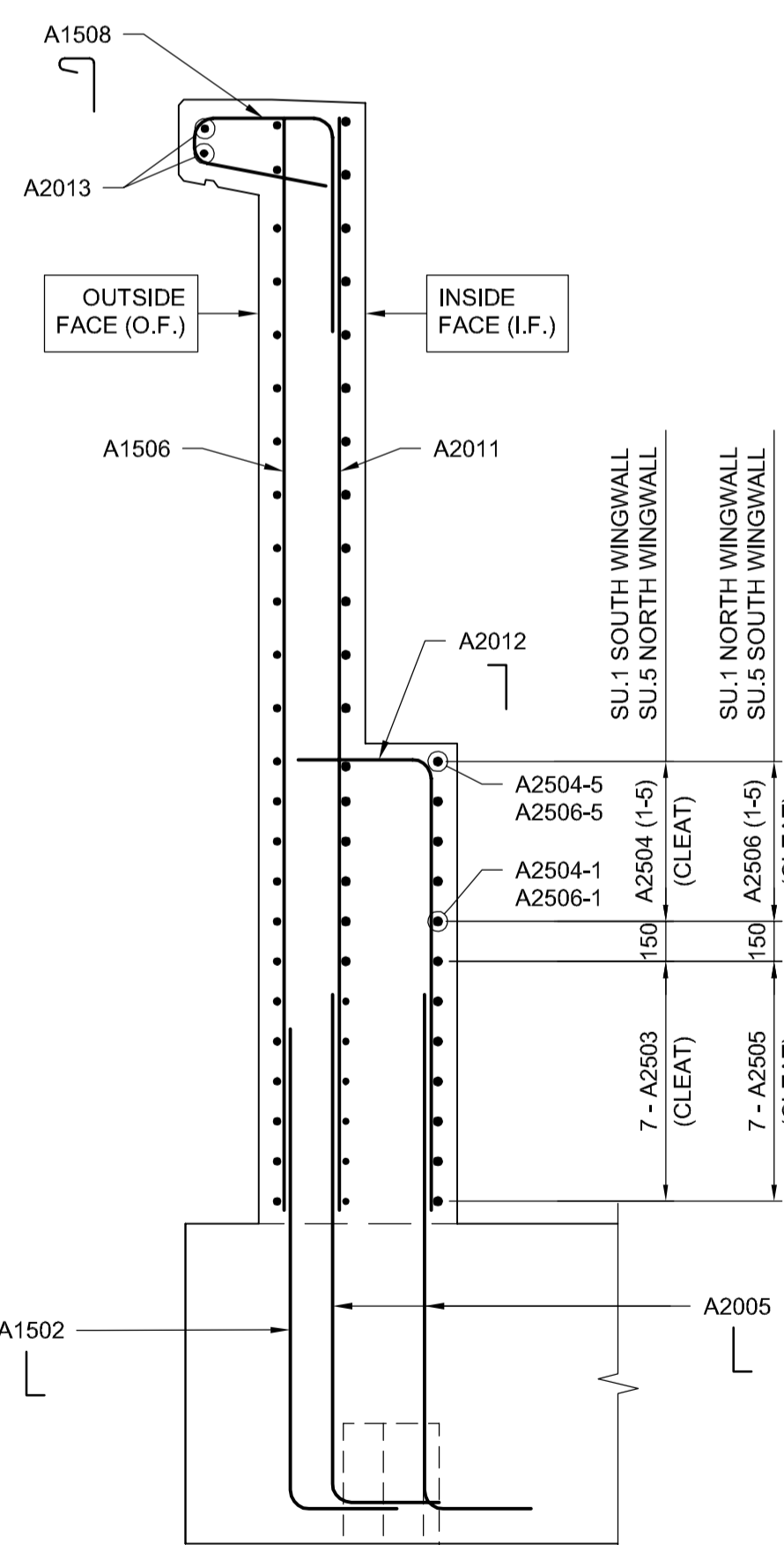
J SECTION
SCALE: 1:25



K SECTION
SCALE: 1:25



H SECTION
SCALE: 1:25



G SECTION
SCALE: 1:25

G:\CAD\163353\Technical Workspace\Engineering\Drawings and Figures\Structures\Contract\163353-C2-CON-CS-ABUT-REIN2.dwg

APEGM
Certificate of Authorization
Dillon Consulting Limited (MB)
No. 1789 Date: 2017/01/09

DESIGNED BY	RE	CHECKED BY	SSR
DRAWN BY	CGC	APPROVED BY	DBW
HOR. SCALE	AS SHOWN	RELEASED FOR CONSTRUCTION	
VERTICAL SCALE	AS SHOWN	DATE	
NO.	REVISIONS	DATE	BY
0	ISSUED FOR TENDER	17/01/09	RE

DILLON CONSULTING

ENGINEER'S SEAL
PROVINCE OF MANITOBA
R.B. ERIC
Member 22665
REGISTERED PROFESSIONAL ENGINEER

CONSULTANT PROJECT NUMBER
16-3353

THE CITY OF WINNIPEG
PUBLIC WORKS DEPARTMENT

Waverley Street Underpass at CN Mile 3.89 Rivers Sub
CONTRACT 2: UNDERPASS STRUCTURE, RAILWORKS,
ROADWORKS, LAND DRAINAGE SEWER, PUMPING STATION
AND LANDSCAPING WORKS

ABUTMENT SU.1 AND SU.5
REINFORCING DETAILS - SHEET 2

CITY DRAWING NUMBER
U-239-2016-C2-CS-020
SHEET 020 OF 085
CONSULTANT DRAWING NUMBER
C2-CS-020