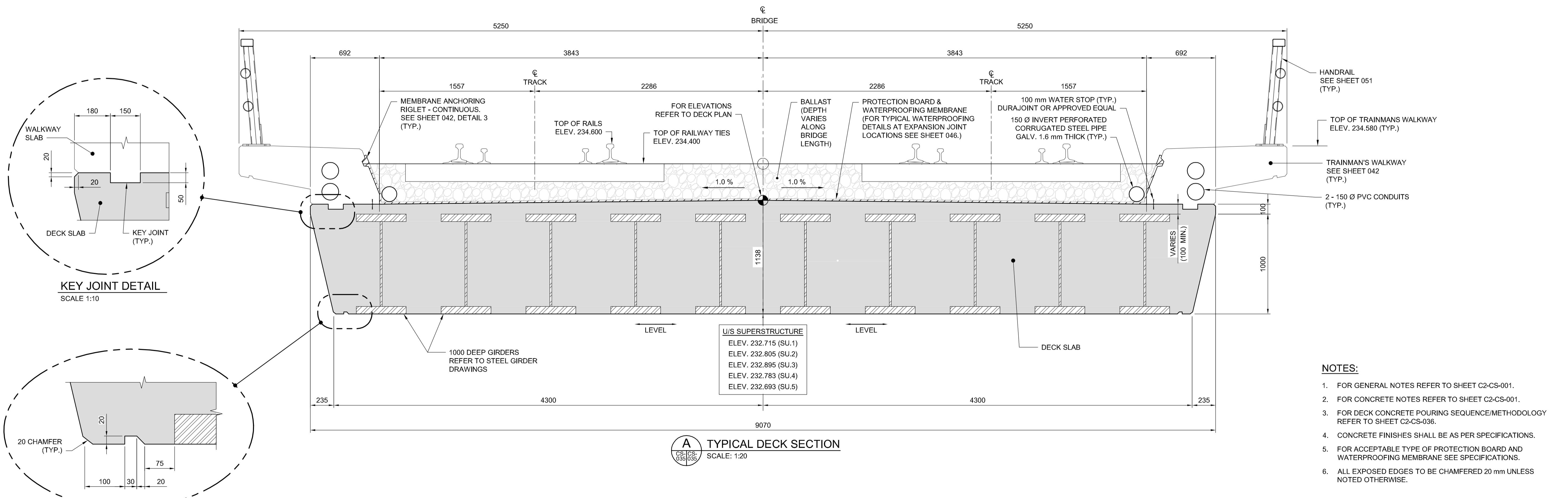
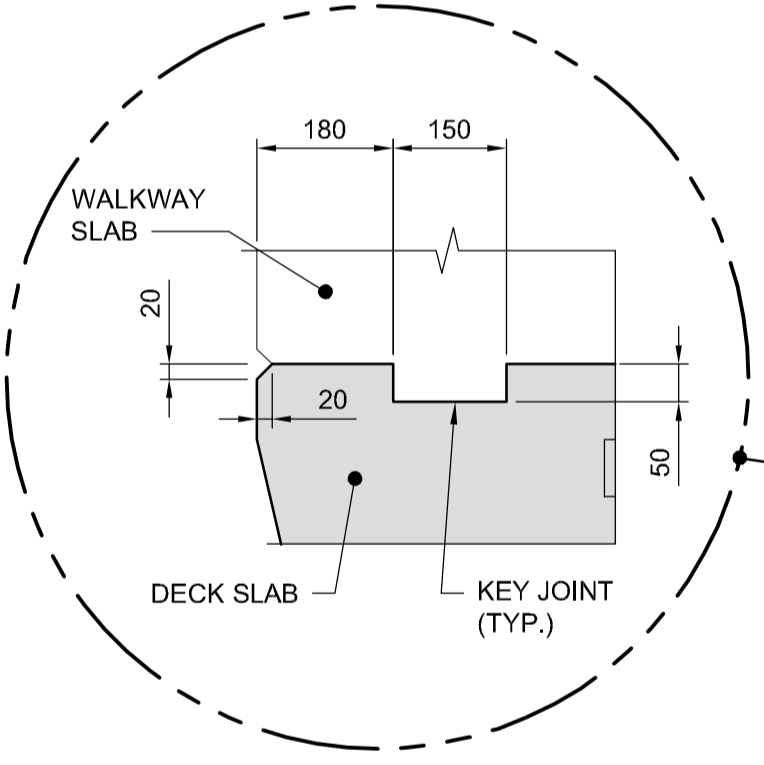


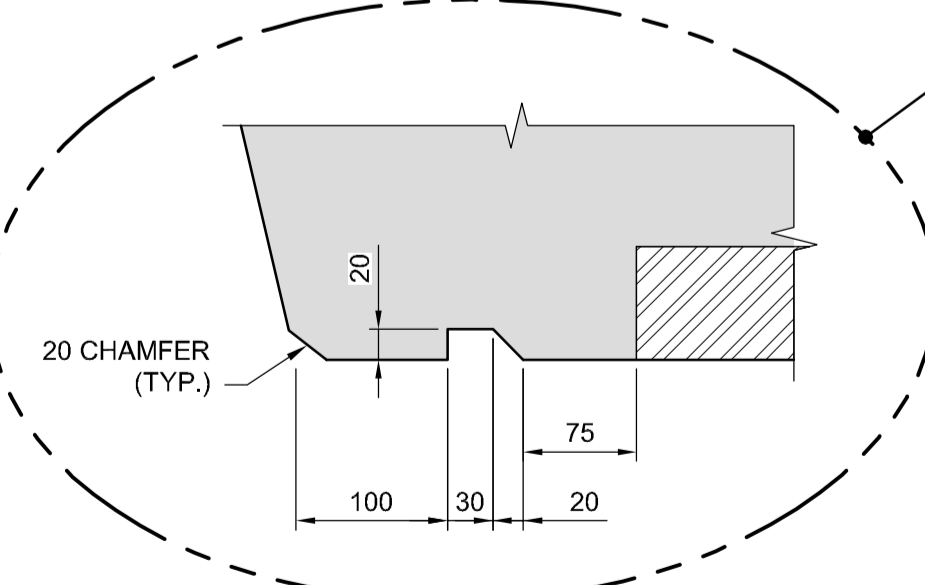
DECK PLAN
SCALE 1:125



TYPICAL DECK SECTION
SCALE 1:20



KEY JOINT DETAIL
SCALE 1:10



DRIP GROOVE DETAIL
SCALE 1:5

- NOTES:**
- FOR GENERAL NOTES REFER TO SHEET C2-CS-001.
 - FOR CONCRETE NOTES REFER TO SHEET C2-CS-001.
 - FOR DECK CONCRETE POURING SEQUENCE/METHODOLOGY REFER TO SHEET C2-CS-036.
 - CONCRETE FINISHES SHALL BE AS PER SPECIFICATIONS.
 - FOR ACCEPTABLE TYPE OF PROTECTION BOARD AND WATERPROOFING MEMBRANE SEE SPECIFICATIONS.
 - ALL EXPOSED EDGES TO BE CHAMFERED 20mm UNLESS NOTED OTHERWISE.

G:\CAD\163353\Technical Workspace\Engineering\Drawings and Figures\Structures\Contract\163353-C2-CON-CS-DECK SLAB LAYOUT.dwg

APEGM
Certificate of Authorization
Dillon Consulting Limited (MB)
No. 1789 Date: 2017/01/09

NO.	REVISIONS	DATE	BY
0	ISSUED FOR TENDER	17/01/09	RE

DESIGNED BY	CHECKED BY
RE	SSR
DRAWN BY	APPROVED BY
NBG	DBW
HOR. SCALE	RELEASED FOR CONSTRUCTION
AS SHOWN	
VERTICAL	DATE
AS SHOWN	

ENGINEER'S SEAL
PROVINCE OF MANITOBA
R.B. ERIC
Member 22665
REGISTERED PROFESSIONAL ENGINEER
CONSULTANT PROJECT NUMBER
16-3353

THE CITY OF WINNIPEG
PUBLIC WORKS DEPARTMENT
Waverley Street Underpass at CN Mile 3.89 Rivers Sub
Contract 2: Underpass Structure, Railworks,
Roadworks, Land Drainage Sewer, Pumping Station
and Landscaping Works
CITY DRAWING NUMBER
U-239-2016-C2-CS-035
SHEET 035 OF 085
CONSULTANT DRAWING NUMBER
C2-CS-035