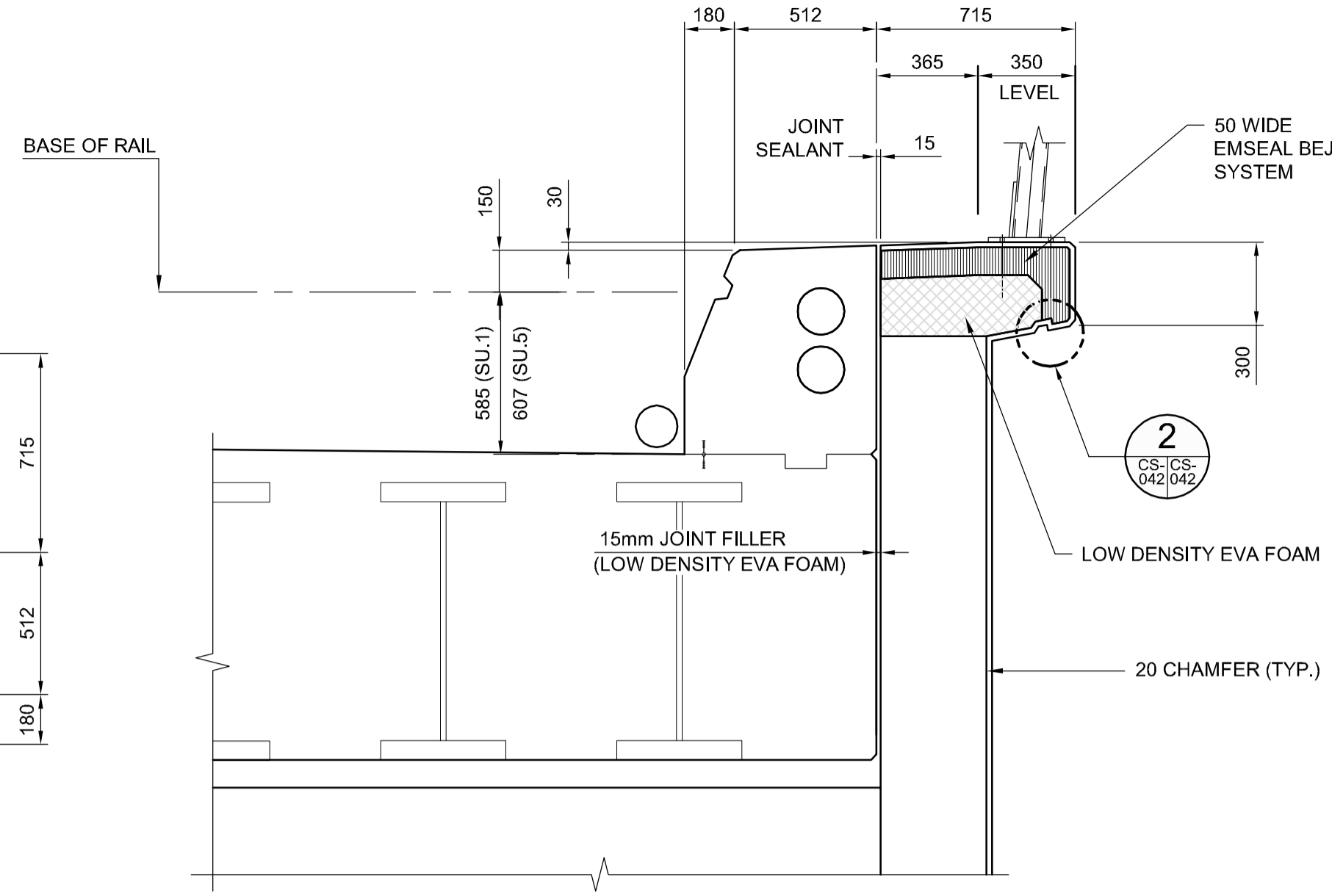
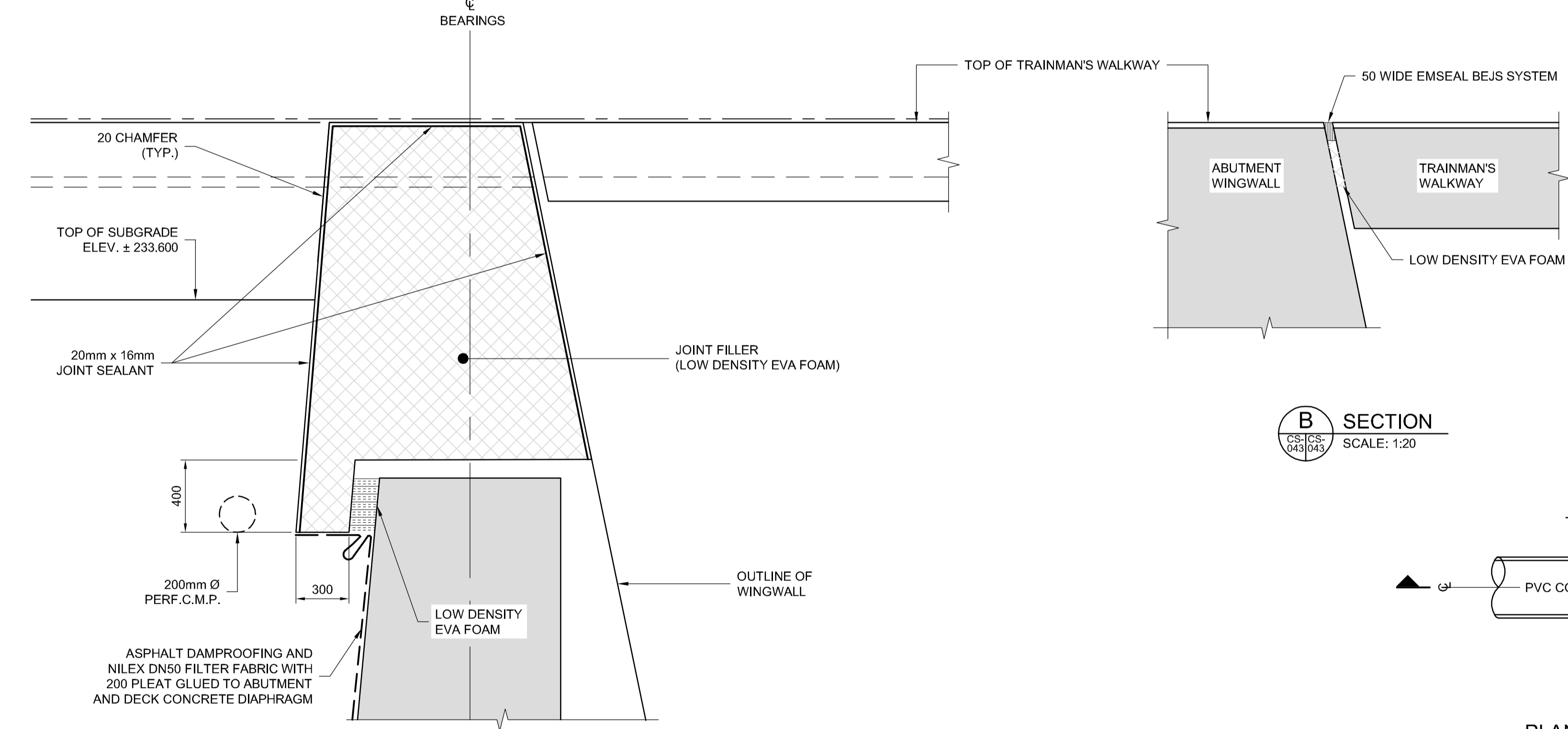


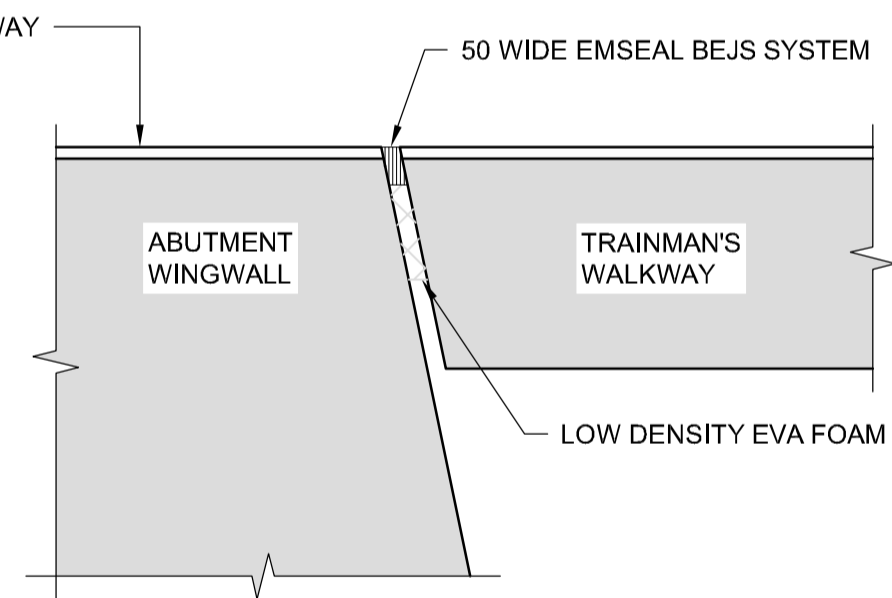
PLAN
SCALE 1:20
TYPICAL FOR BOTH ABUTMENTS



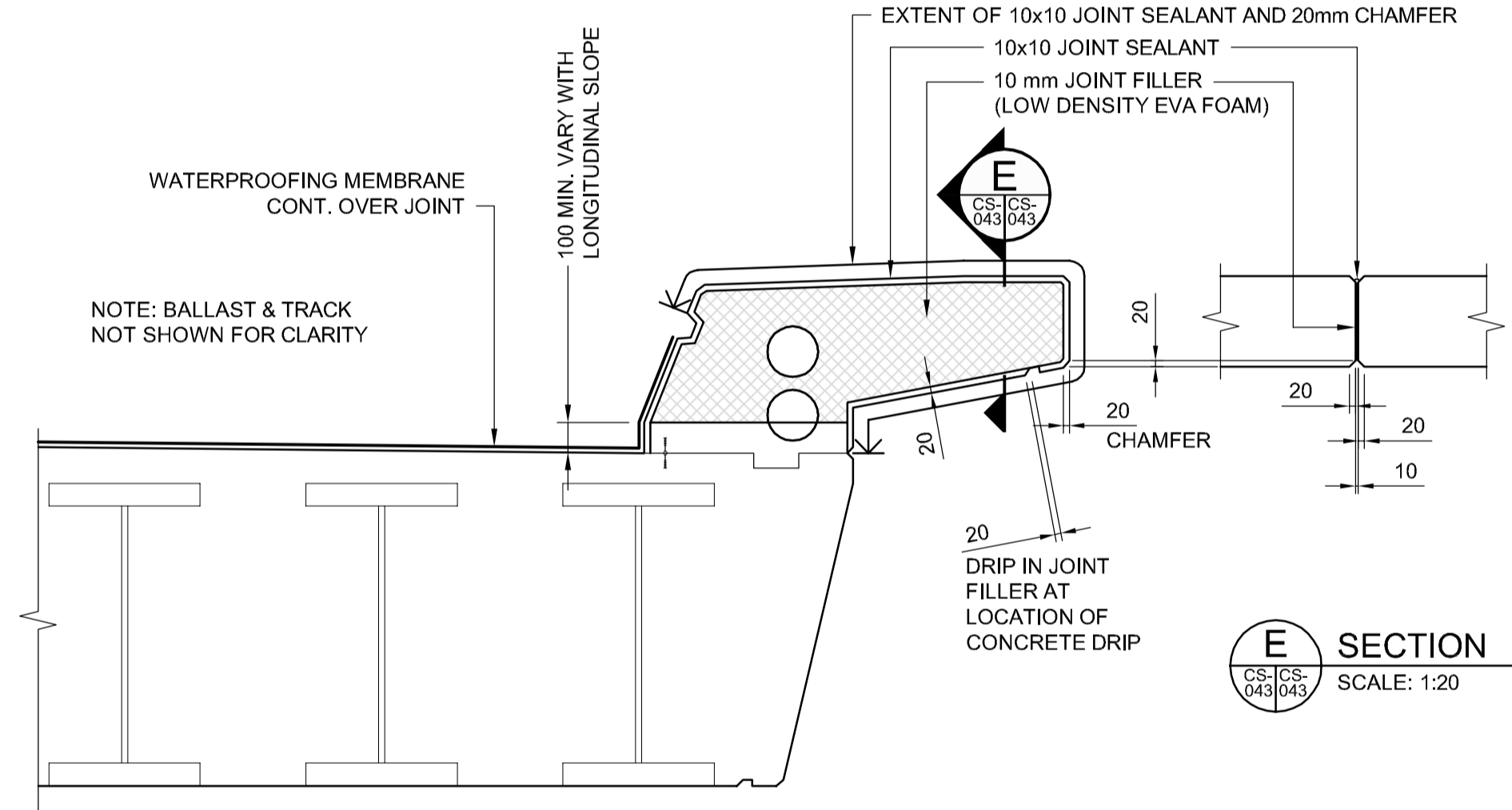
C SECTION
SCALE: 1:20



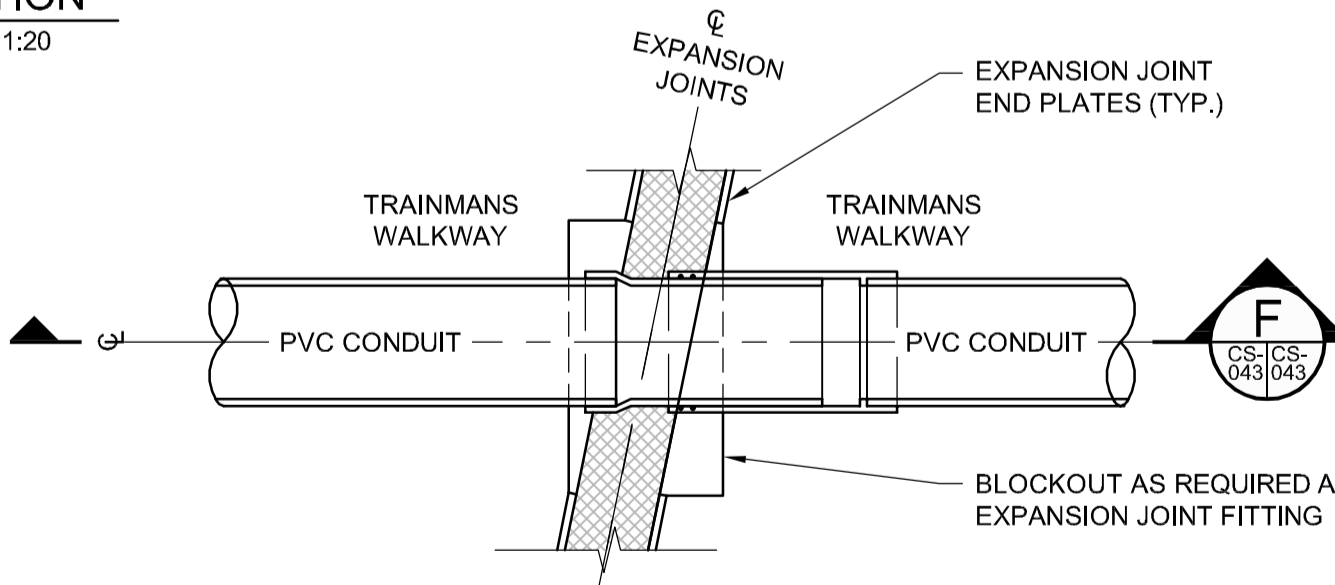
A SECTION
SCALE: 1:20



B SECTION
SCALE: 1:20



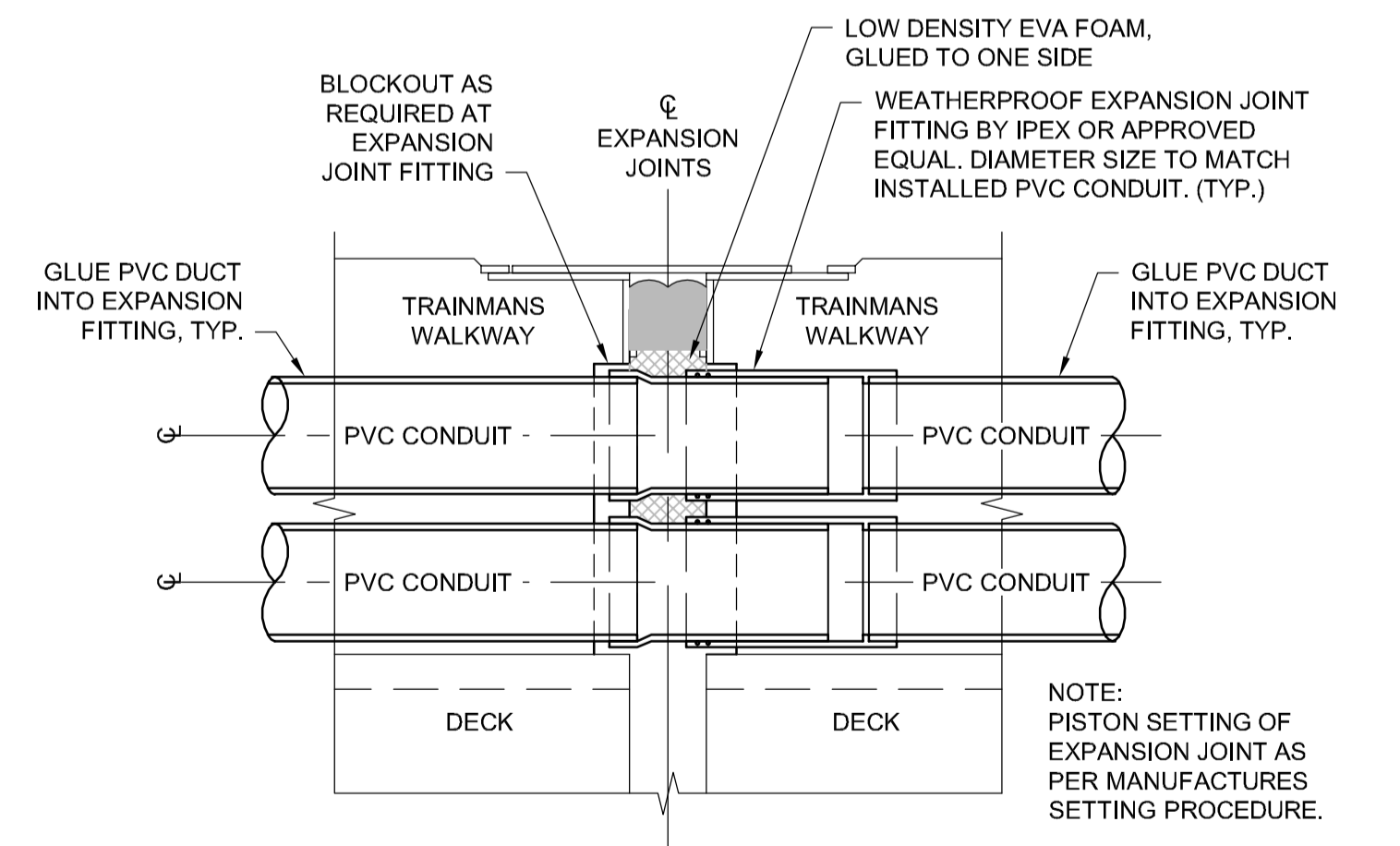
D SECTION
SCALE: 1:20



E SECTION
SCALE: 1:20

PLAN OF CONDUIT EXPANSION FITTING

SCALE 1:10
TYPICAL FOR JOINTS AT
SU.2, SU.3 & SU.4



F SECTION
SCALE: 1:10
TYPICAL FOR JOINTS AT
SU.2, SU.3 & SU.4

- NOTES:**
- ALL JOINTS SHALL BE SEALED WITH TWO PARTS POLYSULFIDE JOINT SEALANT
 - JOINT FILLER SHALL BE 15mm LOW DENSITY EVA FOAM, UNLESS NOTED
 - POLYETHYLENE STRIP BOND BREAKER SHALL BE PLACED BETWEEN JOINT SEALANT AND EVA FOAM.

BILL OF MISCELLANEOUS METAL FOR TRAINMAN'S WALKWAY				
MARK	No.	DESCRIPTION	SIZE	MASS PER UNIT
"AU1"	70	PRE-SET ANCHOR UNIT - GALVANIZED	NCA ANCHOR FOR RAILING TYPE DGR-1 (MODIFIED AS SHOWN) C/W MACHINE BOLTS A307, 19 Ø x 70 LONG, PROVIDE NYLON BUSHING FOR 19 Ø BOLTS, 8-PLASTIC CAP PLUGS, PLATE, LOCK WASHERS AND PLYWOOD SETTING TEMPLATE - AS DETAILED	8.165
TOTAL MASS				571.55 kg



NO.	REVISIONS	DATE	BY	DATE
0	ISSUED FOR TENDER	17/01/09	RE	

DESIGNED BY		CHECKED BY	
RE		SSR	
DRAWN BY		APPROVED BY	
CO		DBW	
HOR. SCALE		RELEASED FOR CONSTRUCTION	
AS SHOWN			
VERTICAL SCALE		DATE	
AS SHOWN			

ENGINEER'S SEAL
PROVINCE OF MANITOBA
R.B. ERIC
Member 22665
REGISTERED PROFESSIONAL ENGINEER
CONSULTANT PROJECT NUMBER
16-3353

THE CITY OF WINNIPEG
PUBLIC WORKS DEPARTMENT
Waverley Street Underpass at CN Mile 3.89 Rivers Sub
Contract 2: Underpass Structure, Railworks,
Roadworks, Land Drainage Sewer, Pumping Station
and Landscaping Works
TRAINMAN'S WALKWAY
CONCRETE DETAILS
CITY DRAWING NUMBER
U-239-2016-C2-CS-043
SHEET 043 OF 085
CONSULTANT DRAWING NUMBER
C2-CS-043