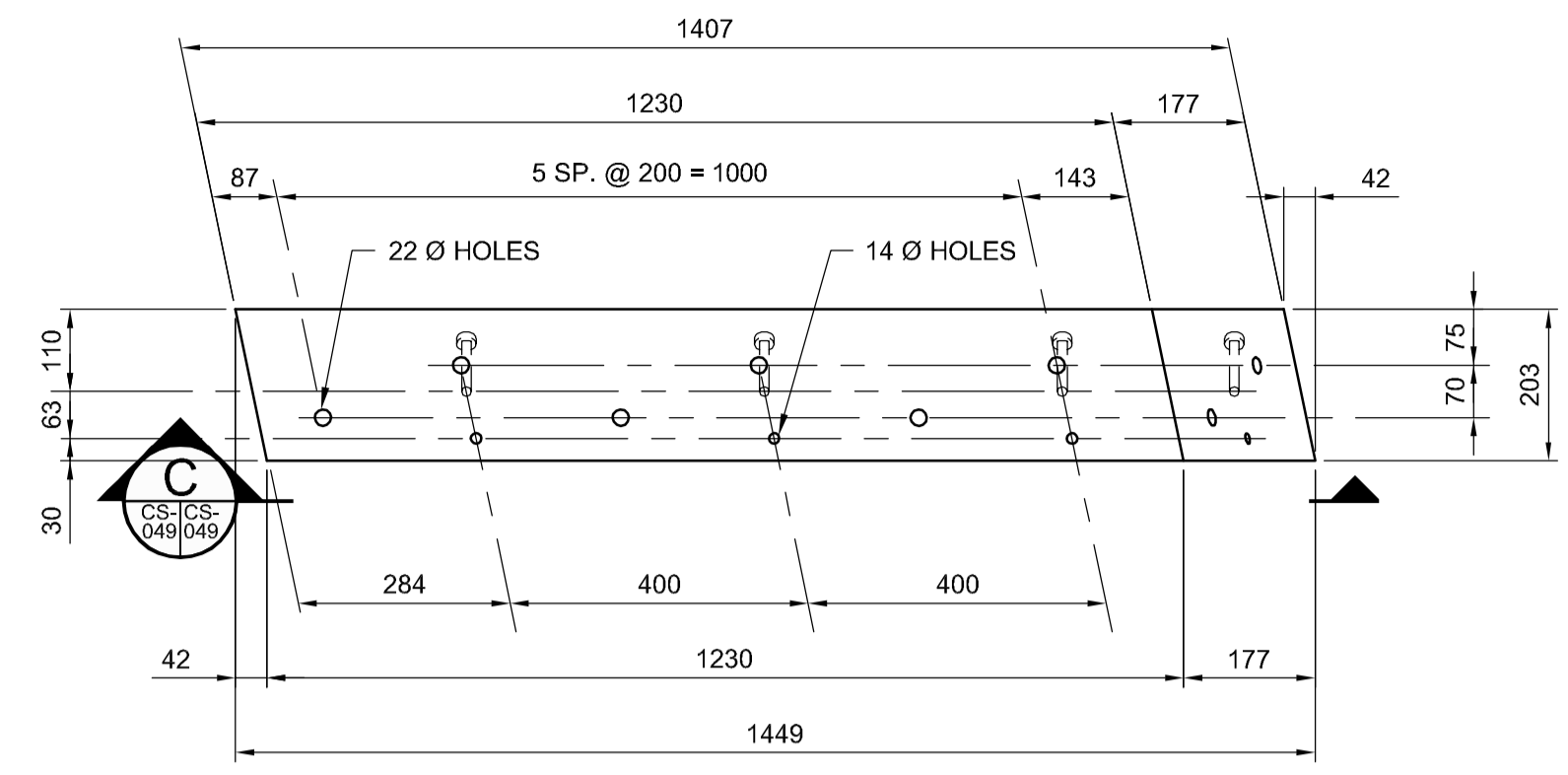


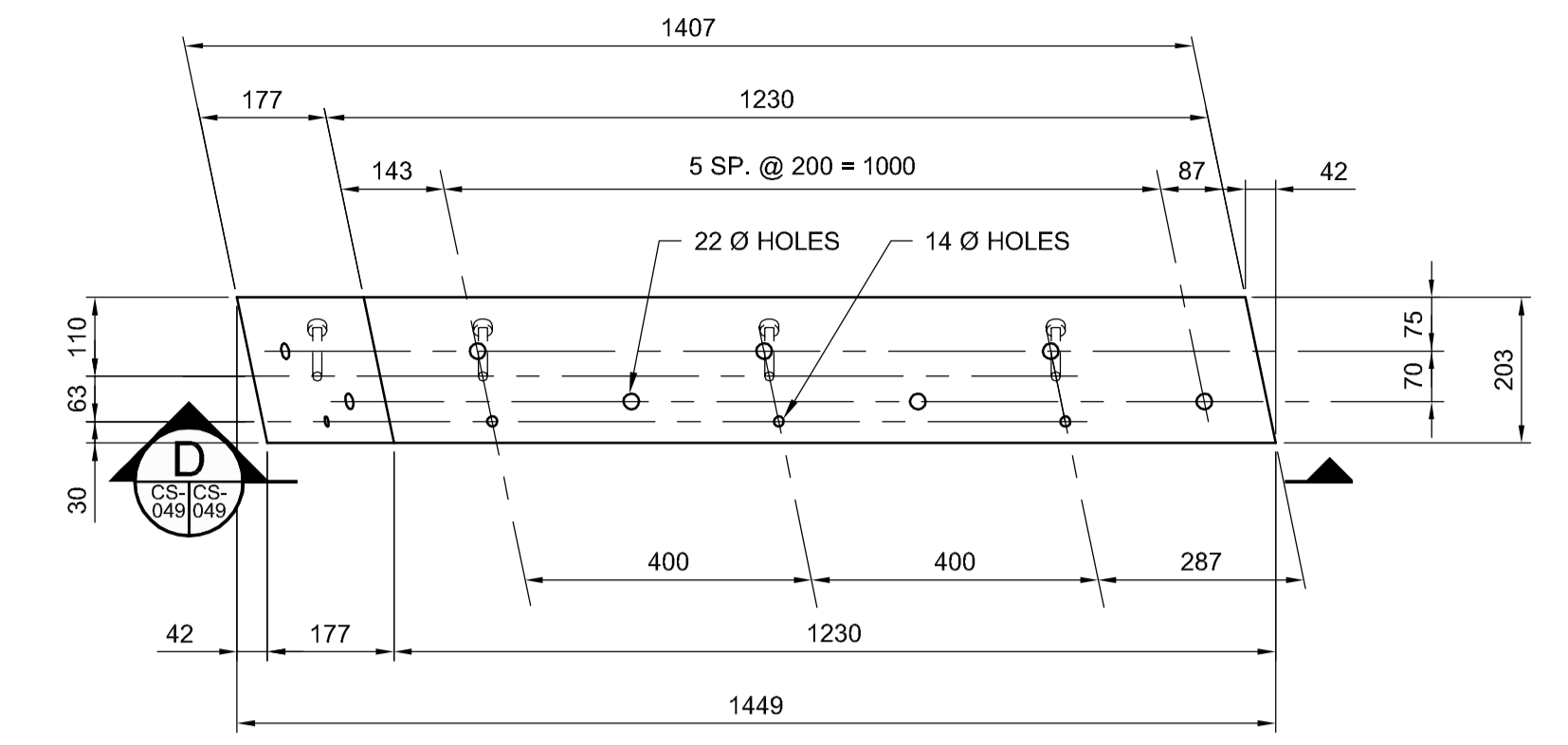
NOTE:
COVER PLATE NOT
SHOWN FOR CLARITY.

1 PARTIAL PLAN
SCALE: 1:10



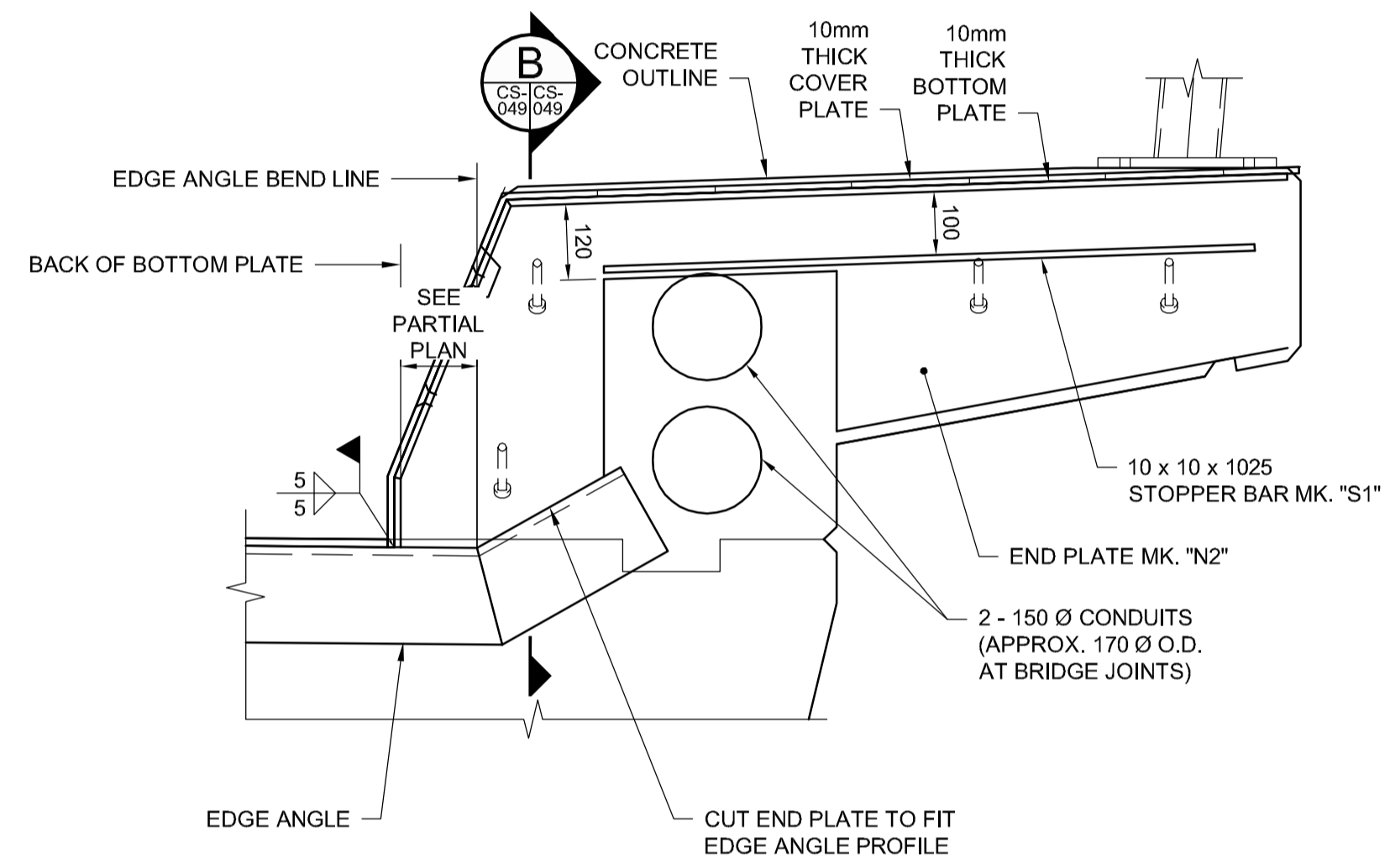
PLAN OF BOTTOM PLATES MK. "B1a" & "B1b"
SCALE 1:10

BOTTOM PLATE MK. "B1a" SHOWN,
BOTTOM PLATE MK. "B1b" SIMILAR, EXCEPT WITHOUT 22Ø HOLES

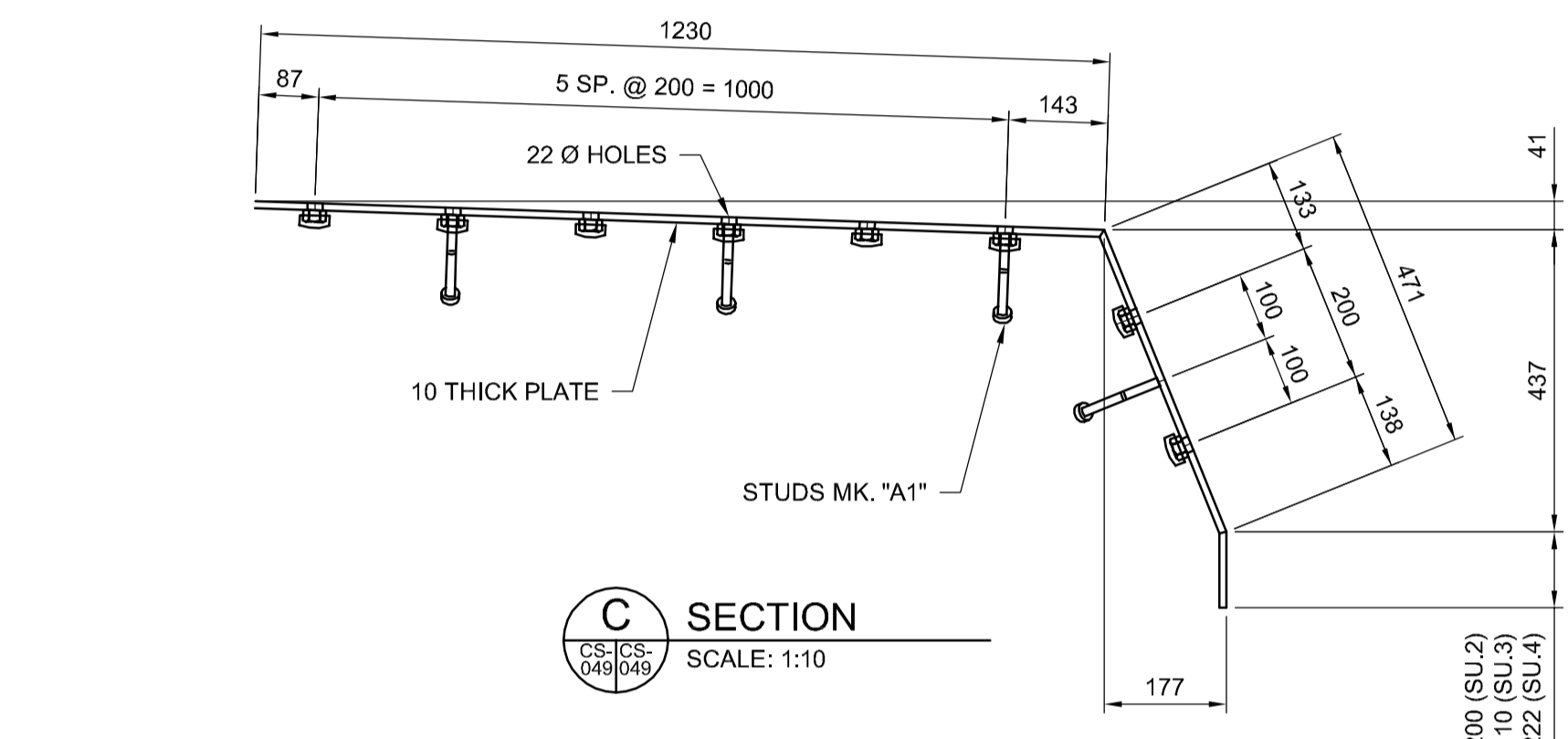


PLAN OF BOTTOM PLATES MK. "B2a" & "B2b"
SCALE 1:10

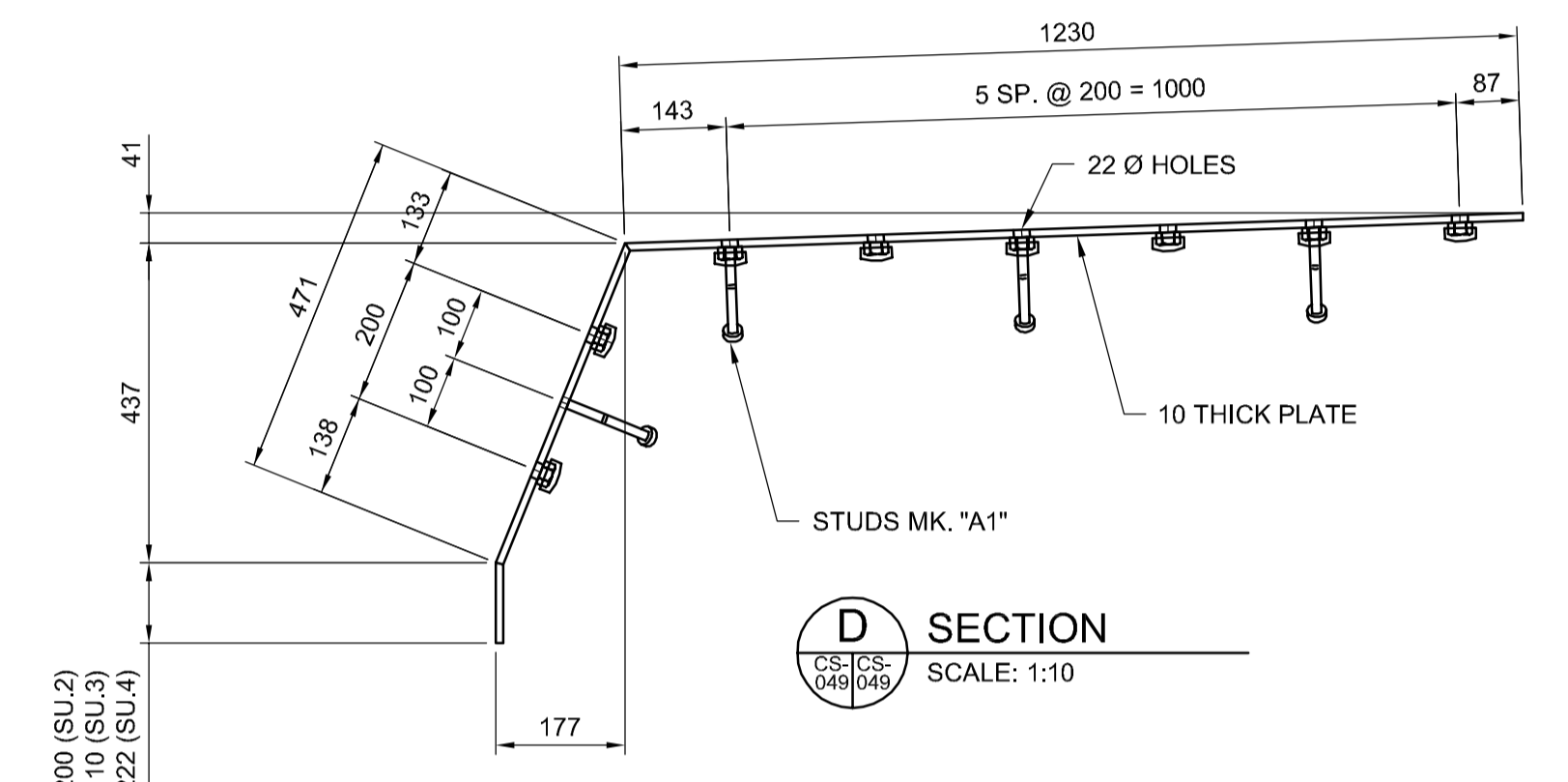
BOTTOM PLATE MK. "B2a" SHOWN,
BOTTOM PLATE MK. "B2b" SIMILAR, EXCEPT WITHOUT 22Ø HOLES



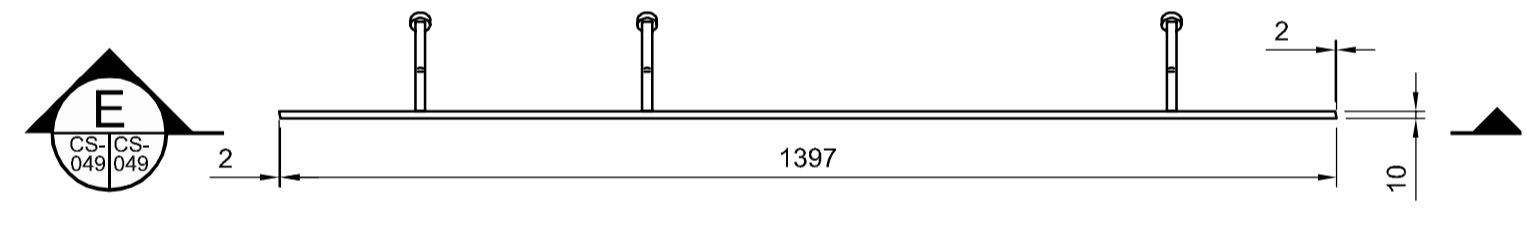
A SECTION
SCALE: 1:10



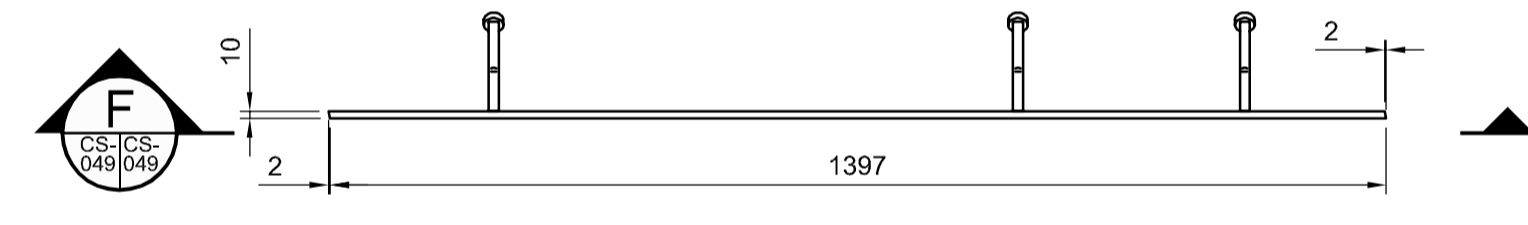
C SECTION
SCALE: 1:10



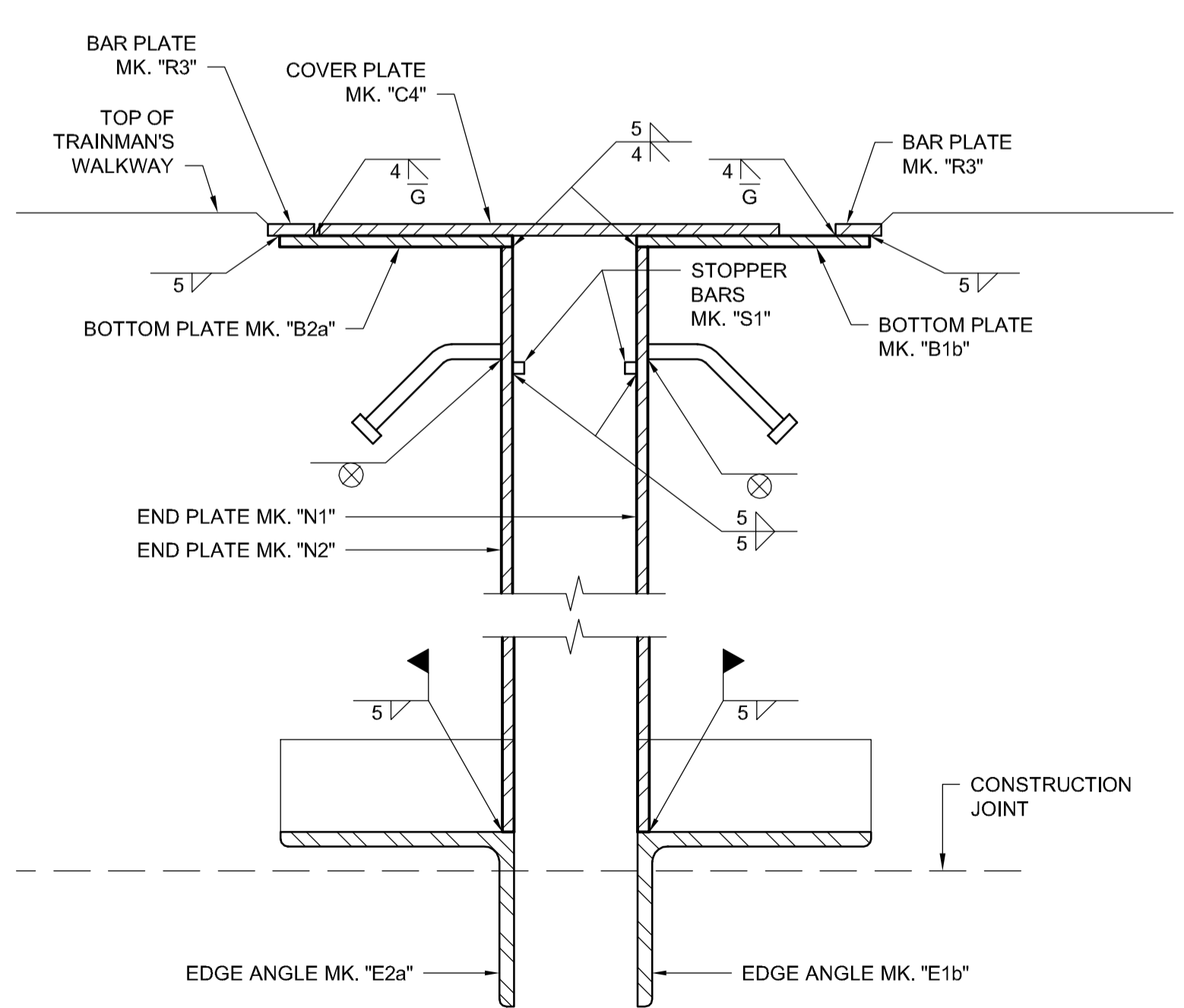
D SECTION
SCALE: 1:10



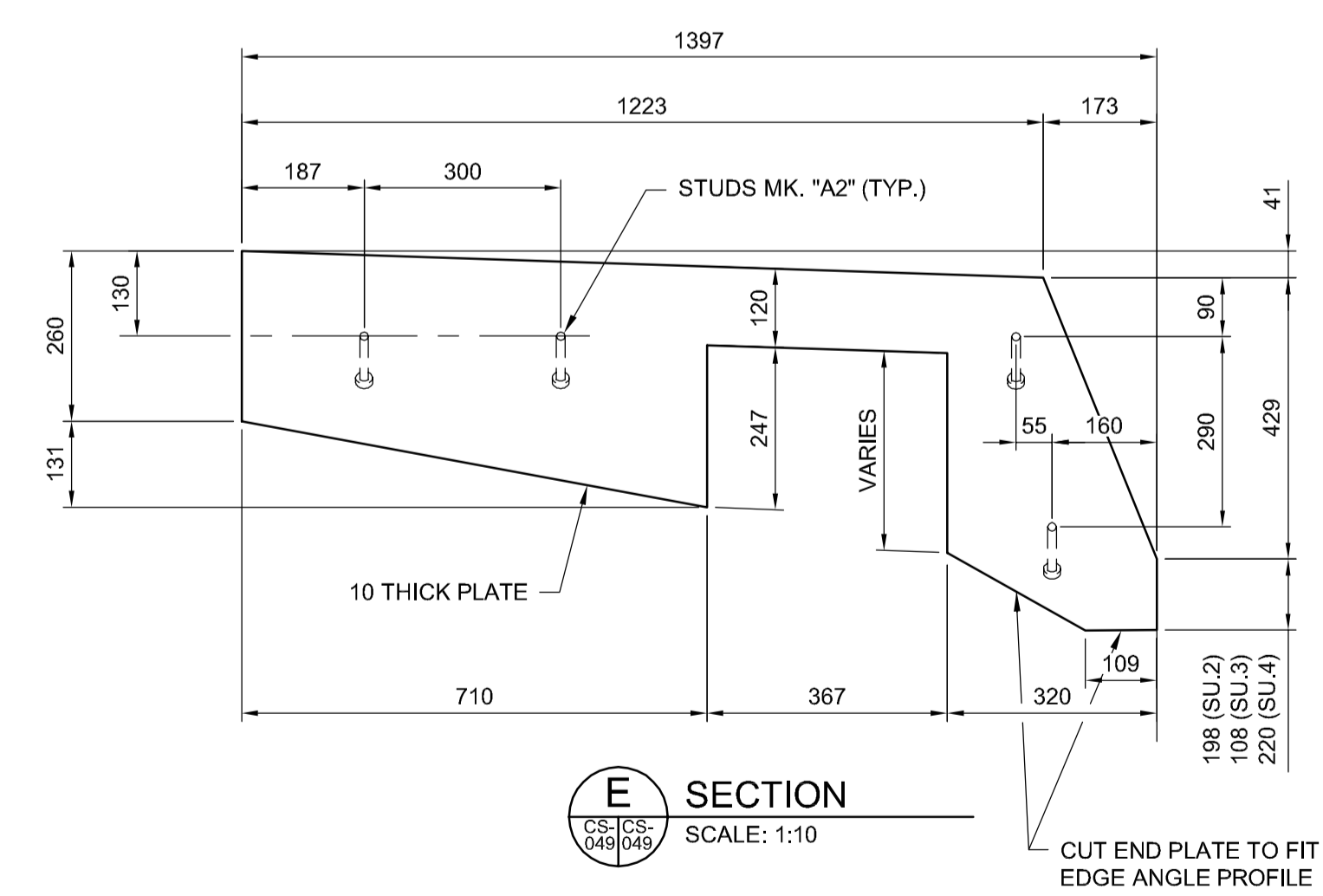
PLAN OF END PLATES MK. "N1"
SCALE 1:10



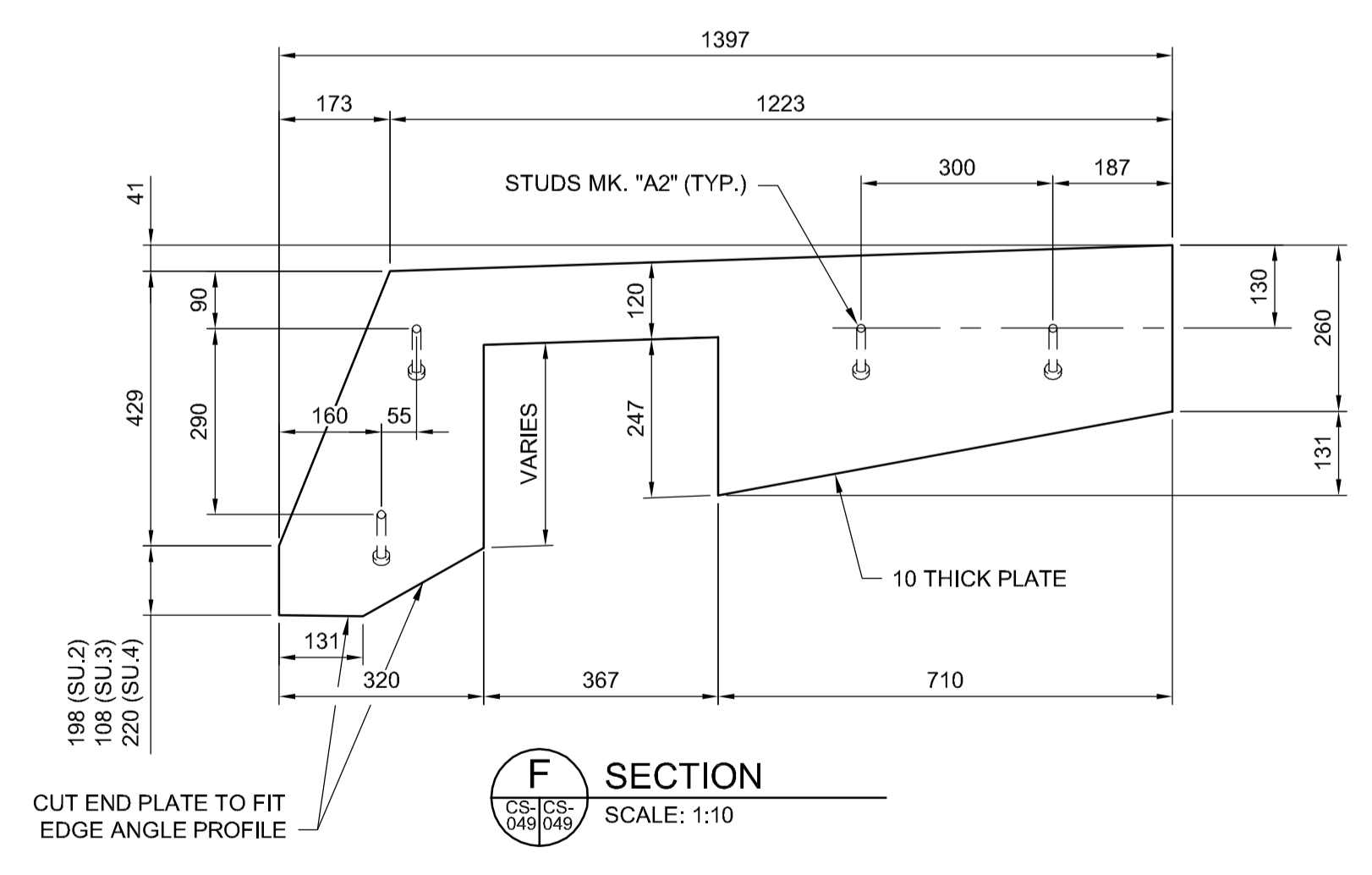
PLAN OF END PLATES MK. "N2"
SCALE 1:10



B SECTION
SCALE: 1:5



E SECTION
SCALE: 1:10



F SECTION
SCALE: 1:10

G:\CAD\163353\Technical Workspace\Engineering\Drawings and Figures\Structures\Contract\163353-C2-CON-CS-DECK SLAB JOINT DETAILS 4.dwg

APEGM
Certificate of Authorization
Dillon Consulting Limited (MB)
No. 1789 Date: 2017/01/09

DESIGNED BY	RE	CHECKED BY	SSR
DRAWN BY	CGC	APPROVED BY	DBW
HOR. SCALE	AS SHOWN	RELEASED FOR CONSTRUCTION	
VERTICAL SCALE	AS SHOWN		
NO.	REVISIONS	DATE	BY
0	ISSUED FOR TENDER	17/01/09	RE

ENGINEER'S SEAL
PROVINCE OF MANITOBA
R.B. ERIC
Member 22665
REGISTERED PROFESSIONAL ENGINEER
CONSULTANT PROJECT NUMBER
16-3353

THE CITY OF WINNIPEG
PUBLIC WORKS DEPARTMENT
Waverley Street Underpass at CN Mile 3.89 Rivers Sub
CONTRACT 2: UNDERPASS STRUCTURE, RAILWORKS,
ROADWORKS, LAND DRAINAGE SEWER, PUMPING STATION
AND LANDSCAPING WORKS
EXPANSION JOINT DETAILS -
SHEET 4
CITY DRAWING NUMBER
U-239-2016-C2-CS-049
SHEET 049 OF 085
CONSULTANT DRAWING NUMBER
C2-CS-049