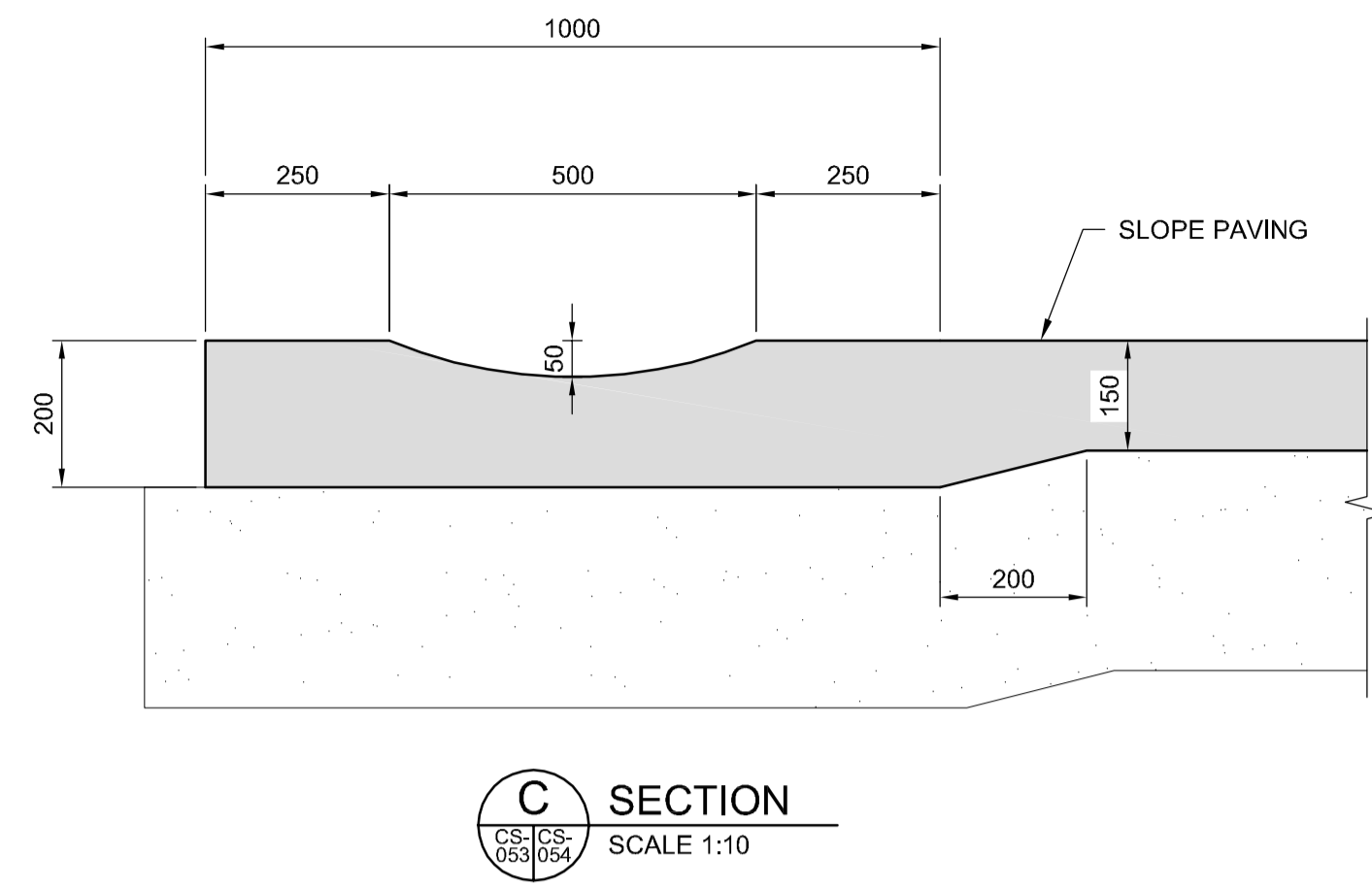
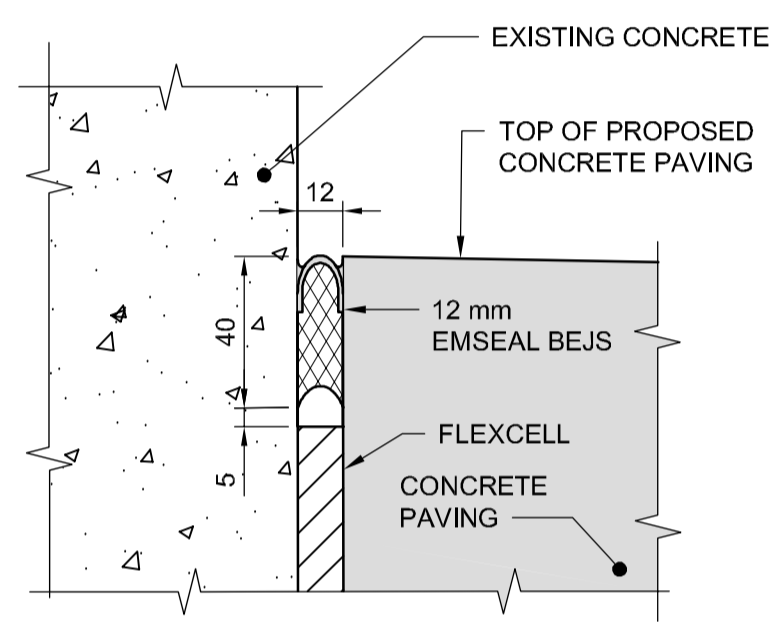


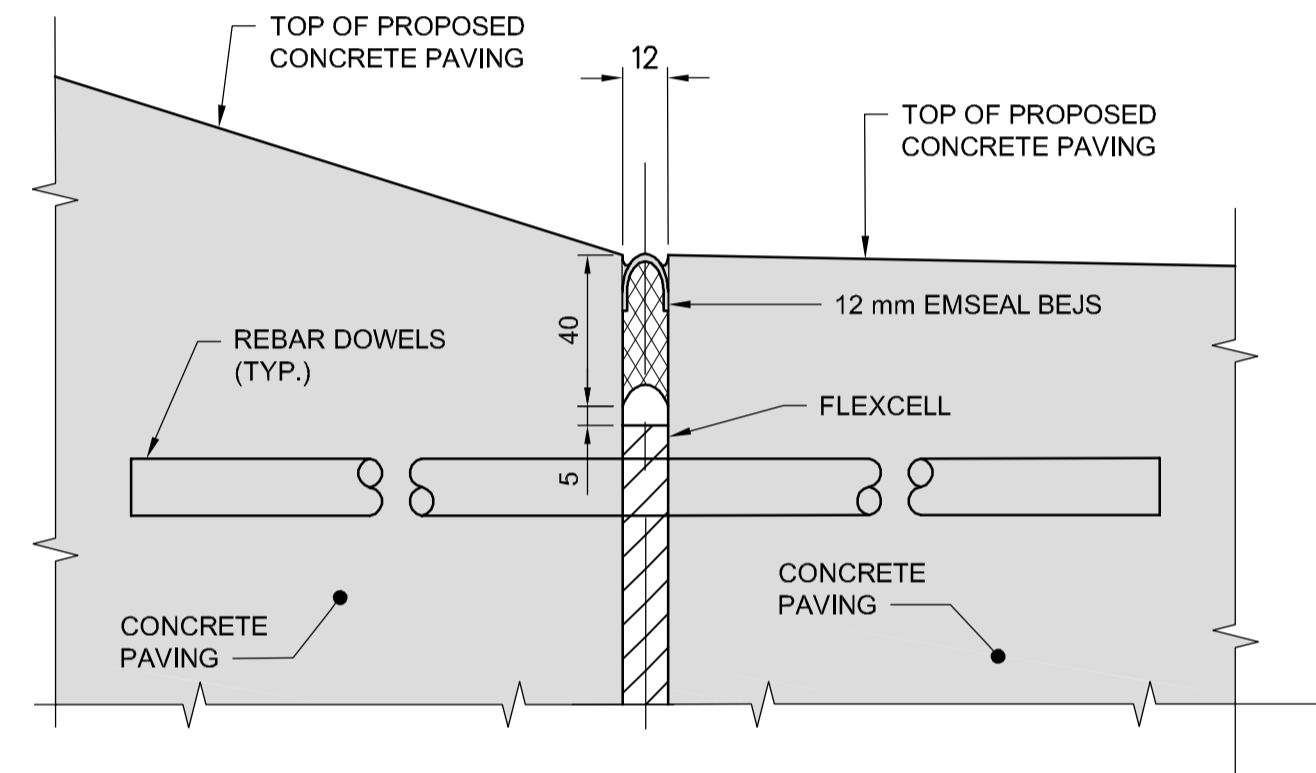
B SECTION
SCALE 1:10



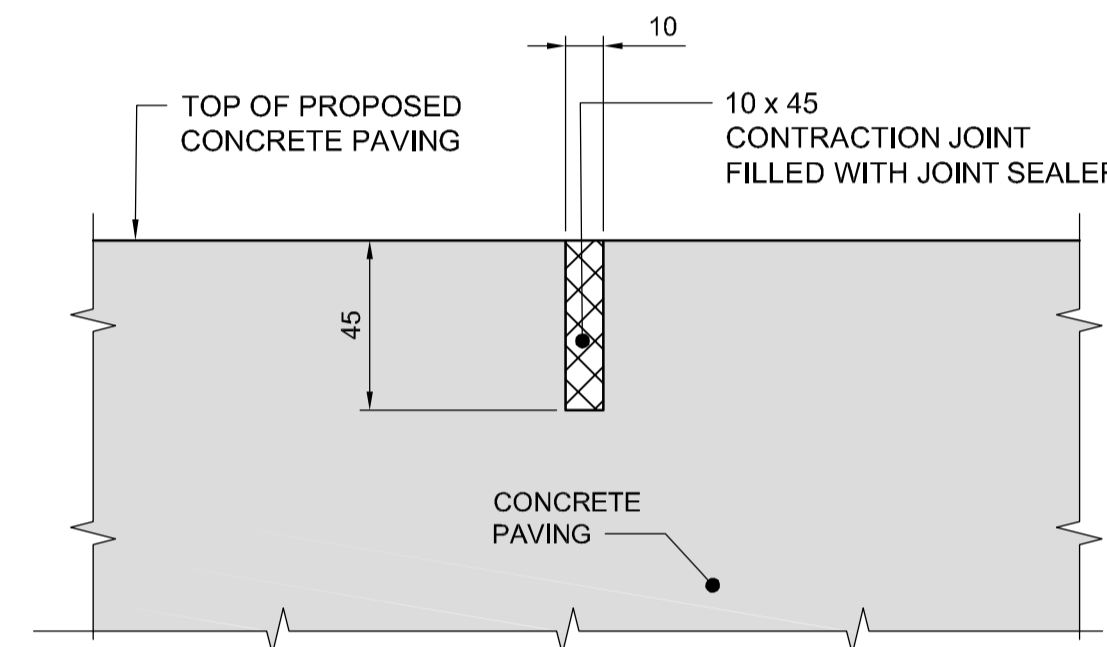
C SECTION
SCALE 1:10



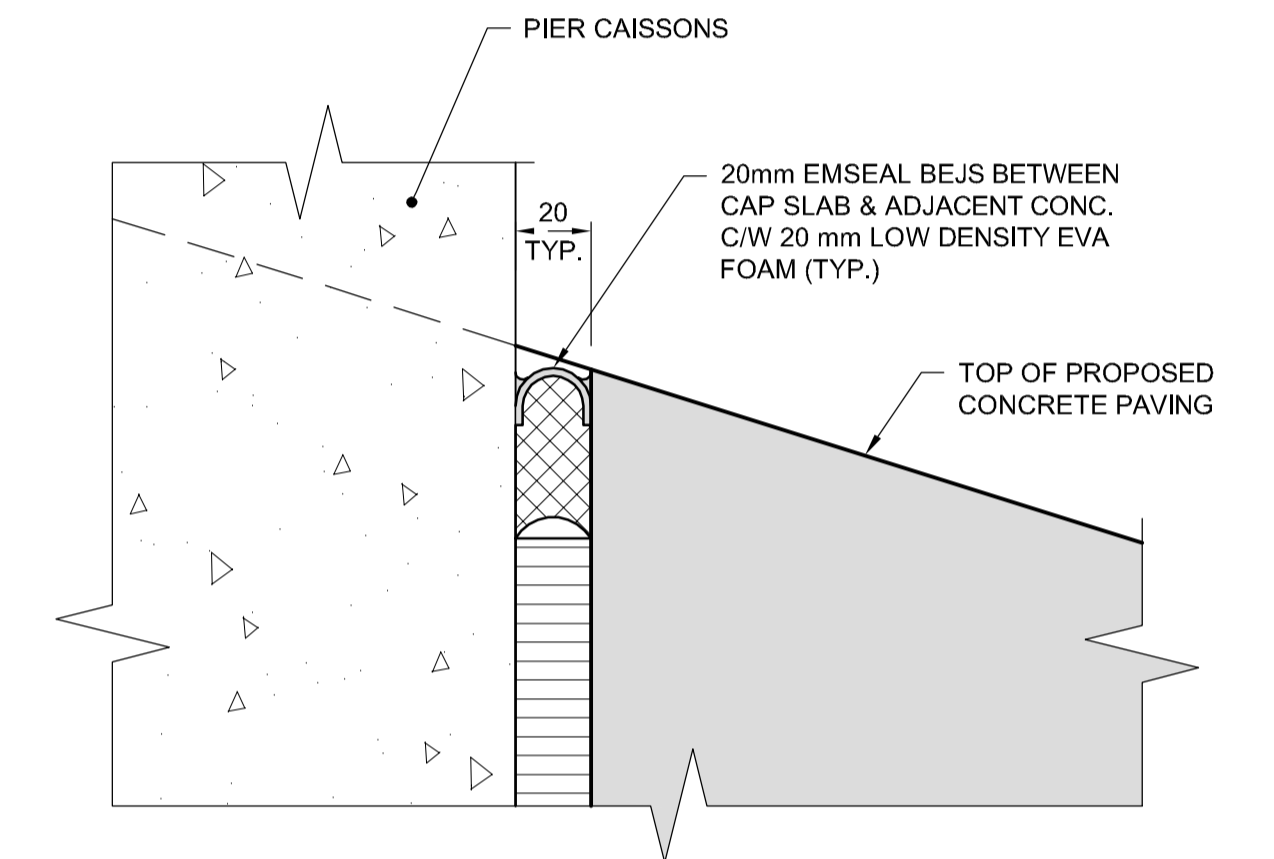
JOINT TYPE "J1"
SCALE 1:2



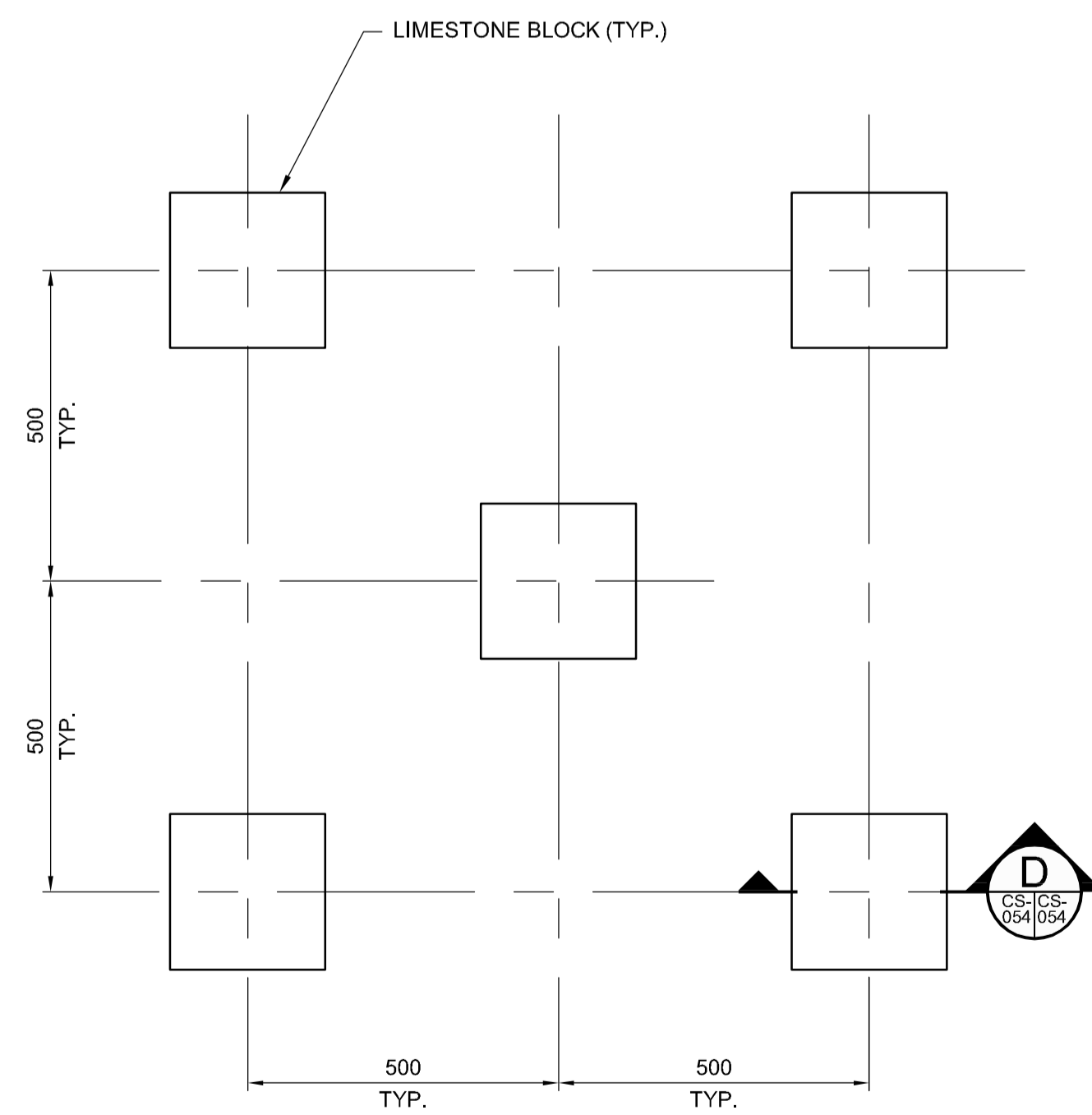
JOINT TYPE "J2"
SCALE 1:2



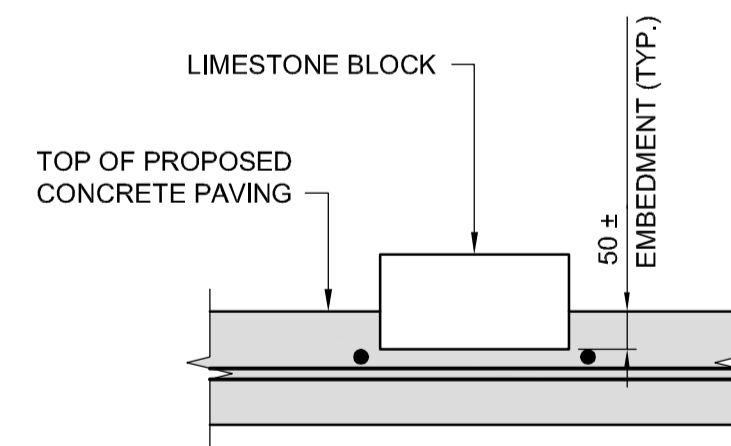
JOINT TYPE "J3"
SCALE 1:2



JOINT TYPE "J4"
SCALE 1:2



5 LIMESTONE BLOCK PATTERN
SCALE 1:10



D SECTION
SCALE 1:10



NO.	REVISIONS	DATE	BY	DATE
0	ISSUED FOR TENDER	17/01/09	RE	

		DESIGNED BY	RE	CHECKED BY	SSR
		DRAWN BY	CO	APPROVED BY	DBW
HOR. SCALE		AS SHOWN		RELEASED FOR CONSTRUCTION	
VERTICAL SCALE		AS SHOWN			

ENGINEER'S SEAL

 CONSULTANT PROJECT NUMBER
16-3353

THE CITY OF WINNIPEG
 PUBLIC WORKS DEPARTMENT
 WAVERLEY STREET UNDERPASS AT CN MILE 3.89 RIVERS SUB
 CONTRACT 2: UNDERPASS STRUCTURE, RAILWORKS,
 ROADWORKS, LAND DRAINAGE SEWER, PUMPING STATION
 AND LANDSCAPING WORKS
 SLOPE PAVING DETAILS - SHEET 2
 CITY DRAWING NUMBER: U-239-2016-C2-CS-054
 SHEET 054 OF 085
 CONSULTANT DRAWING NUMBER: C2-CS-054

G:\CAD\163353\Technical Workspace\Engineering\Drawings and Figures\Structures\Contract\163353-C2-CON-CS-SLOPE PAVING DETAILS 2.dwg