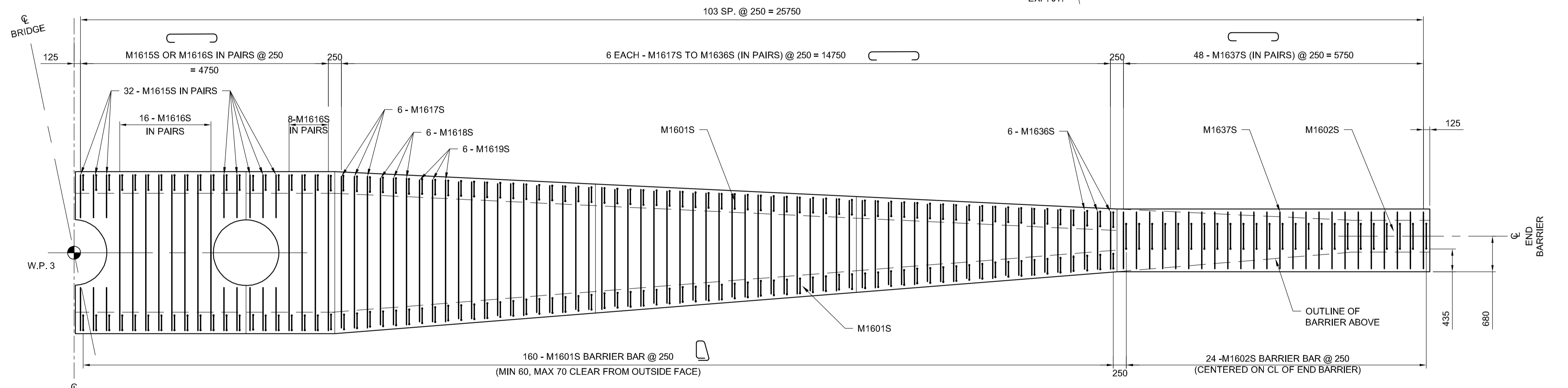
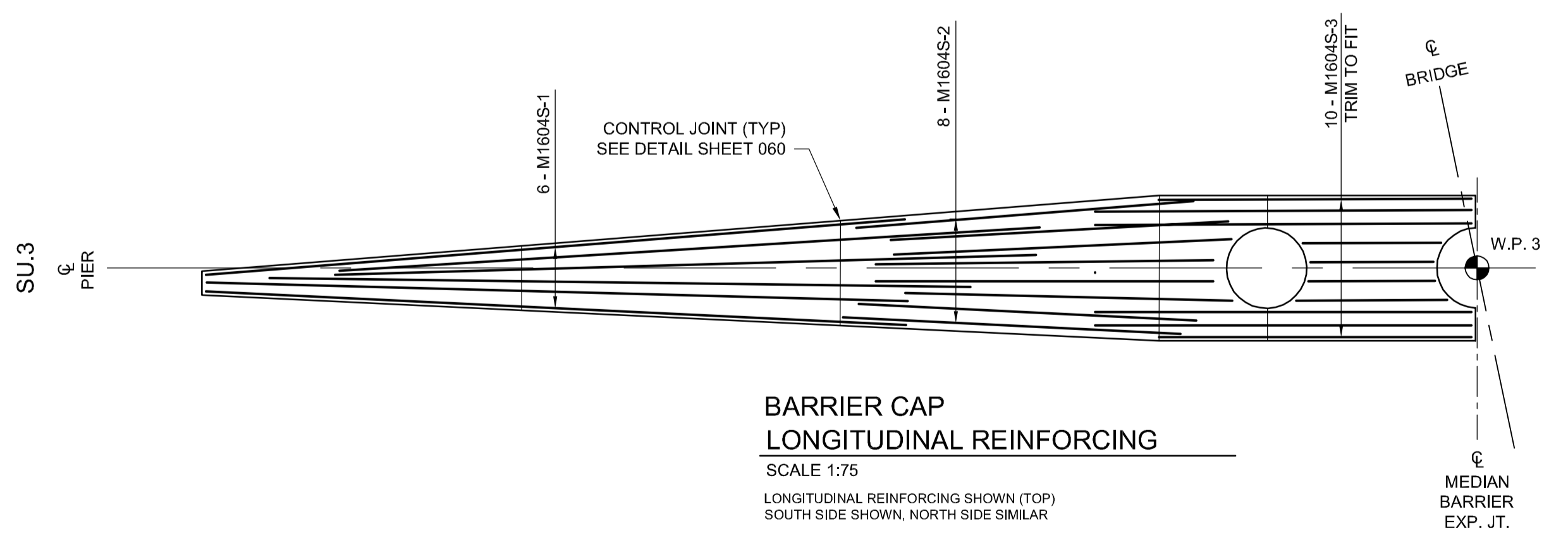


**BARRIER BASE SLAB LONGITUDINAL REINFORCING**  
 SCALE 1:50  
 TOP & BOTTOM LONGITUDINAL REINFORCING SHOWN  
 SOUTH SIDE SHOWN, NORTH SIDE SIMILAR

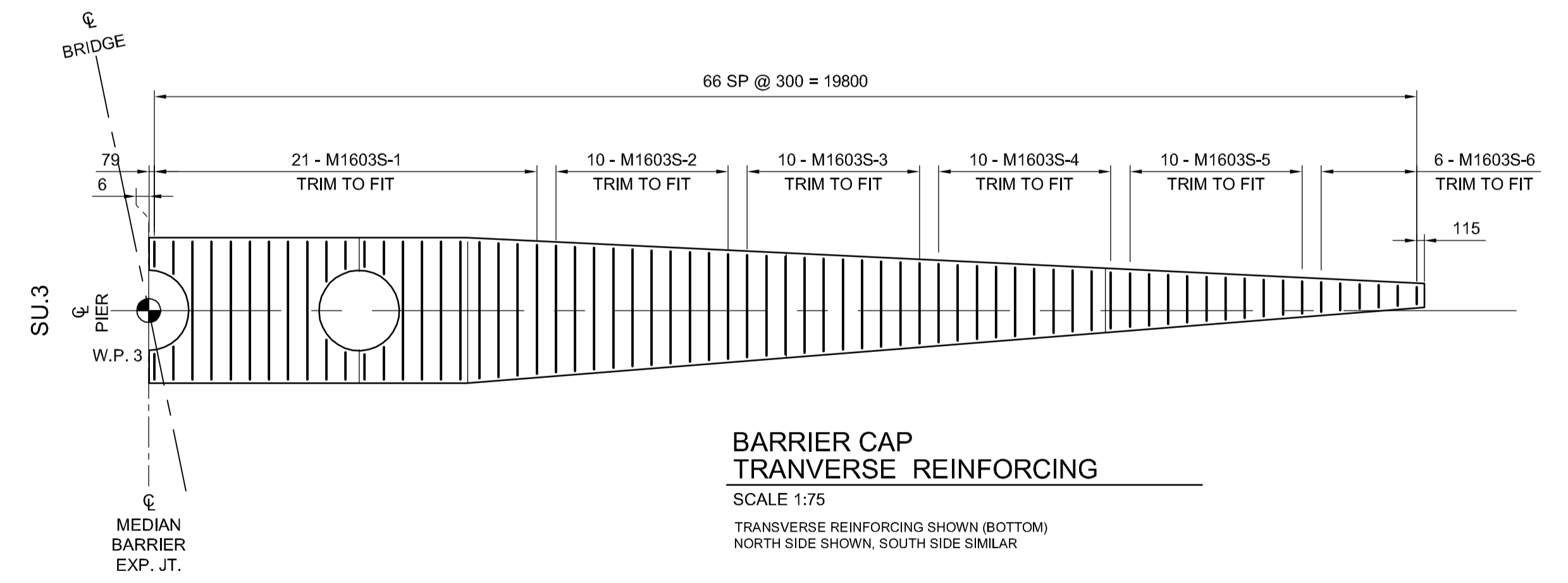
- NOTES:**
1. FOR REINFORCING STEEL NOTES REFER TO SHEET C2-CS-001.
  2. FOR CONCRETE NOTES AND CONCRETE CLEAR COVER TO REINFORCEMENT REFER TO SHEET C2-CS-001.
  3. REINFORCING STEEL FOR MARKS ENDING WITH "S" SHALL BE STAINLESS REINFORCING.



**BARRIER BASE SLAB TRANSVERSE REINFORCING**  
 SCALE 1:50  
 TOP & BOTTOM TRANSVERSE REINFORCING SHOWN  
 NORTH SIDE SHOWN, SOUTH SIDE SIMILAR



**BARRIER CAP LONGITUDINAL REINFORCING**  
 SCALE 1:75  
 LONGITUDINAL REINFORCING SHOWN (TOP)  
 SOUTH SIDE SHOWN, NORTH SIDE SIMILAR



**BARRIER CAP TRANSVERSE REINFORCING**  
 SCALE 1:75  
 TRANSVERSE REINFORCING SHOWN (BOTTOM)  
 NORTH SIDE SHOWN, SOUTH SIDE SIMILAR

G:\CAD\163353\Technical Workspace\Engineering\Drawings and Figures\Structures\Contract\163353-C2-CON-CS-TRAFFIC BARRIERS REINF 2.dwg



DESIGNED BY	RE	CHECKED BY	SSR
DRAWN BY	DB	APPROVED BY	DBW
HOR. SCALE	AS SHOWN	RELEASED FOR CONSTRUCTION	
VERTICAL SCALE	AS SHOWN		
NO.	REVISIONS	DATE	BY
0	ISSUED FOR TENDER	17/01/09	RE

<b>DILLON CONSULTING</b>	
DESIGNED BY	RE
CHECKED BY	SSR
DRAWN BY	DB
APPROVED BY	DBW
HOR. SCALE	AS SHOWN
VERTICAL SCALE	AS SHOWN
RELEASED FOR CONSTRUCTION	

ENGINEER'S SEAL  
 PROVINCE OF MANITOBA  
**R.B. ERIC**  
 Member 22665  
 REGISTERED PROFESSIONAL ENGINEER  
 CONSULTANT PROJECT NUMBER  
**16-3353**

**THE CITY OF WINNIPEG**  
 PUBLIC WORKS DEPARTMENT

**Waverley Street Underpass at CN Mile 3.89 Rivers Sub**  
 CONTRACT 2: UNDERPASS STRUCTURE, RAILWORKS, ROADWORKS, LAND DRAINAGE SEWER, PUMPING STATION AND LANDSCAPING WORKS

TRAFFIC BARRIER REINFORCING DETAILS - SHEET 2

CITY DRAWING NUMBER  
 U-239-2016-C2-CS-061  
 SHEET 061 OF 085  
 CONSULTANT DRAWING NUMBER  
 C2-CS-061