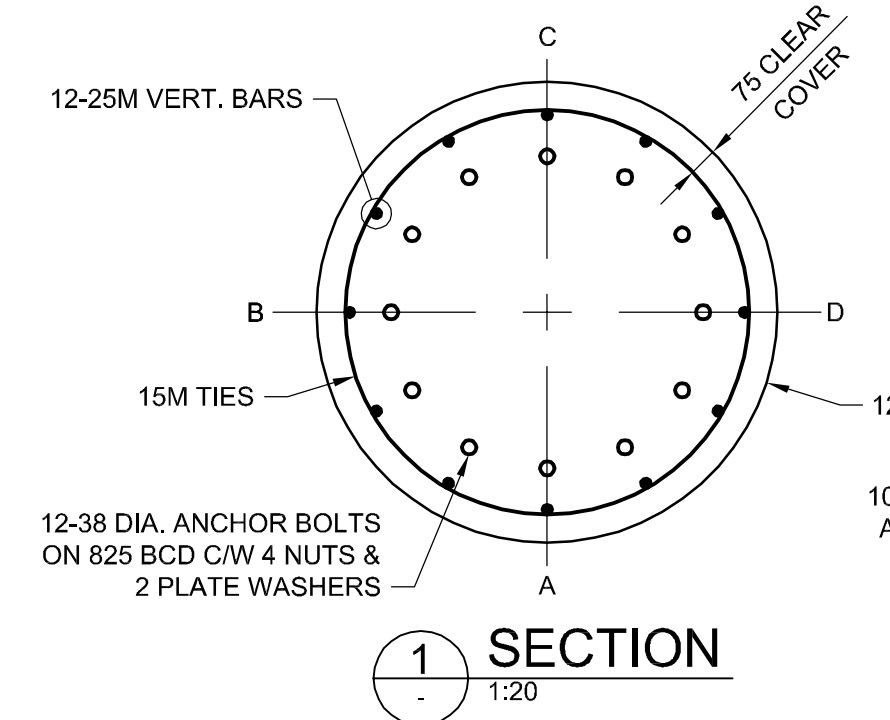
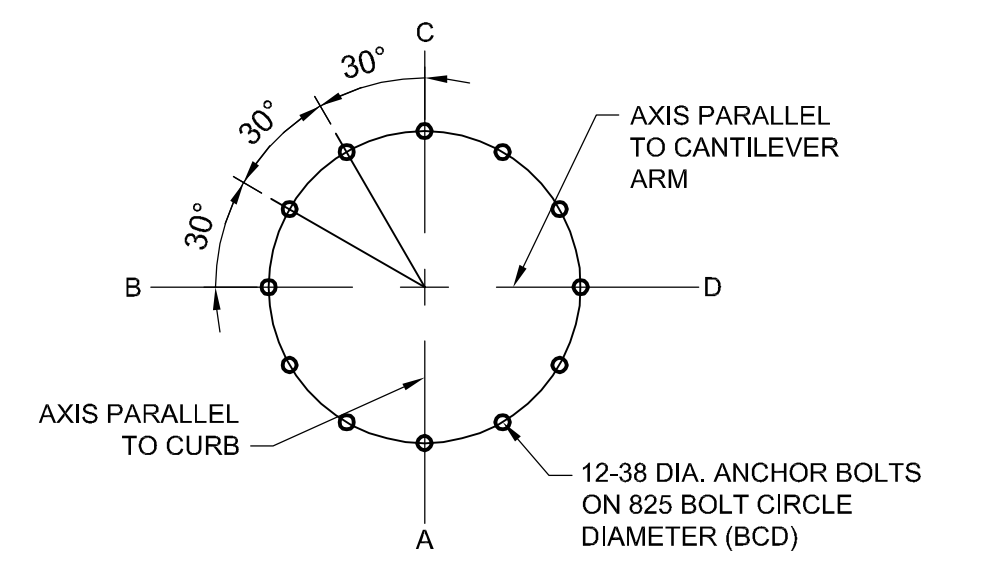


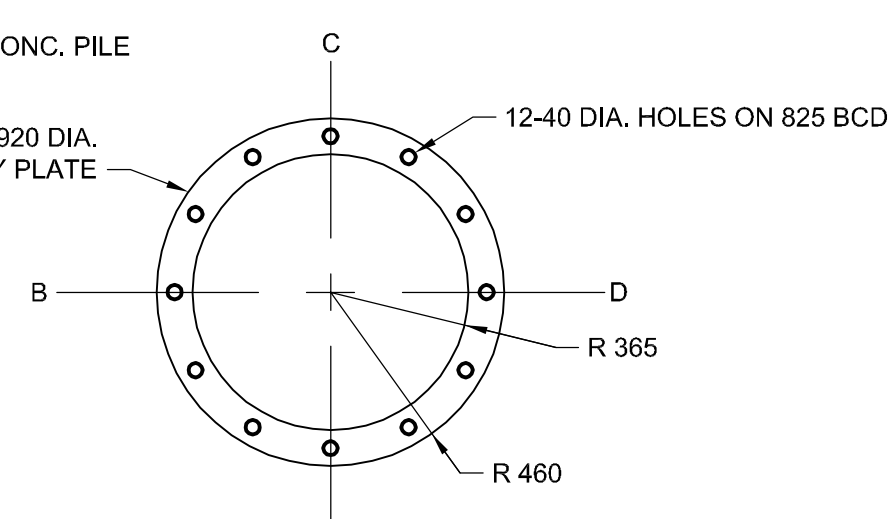
SITE PLAN
SCALE 1:250



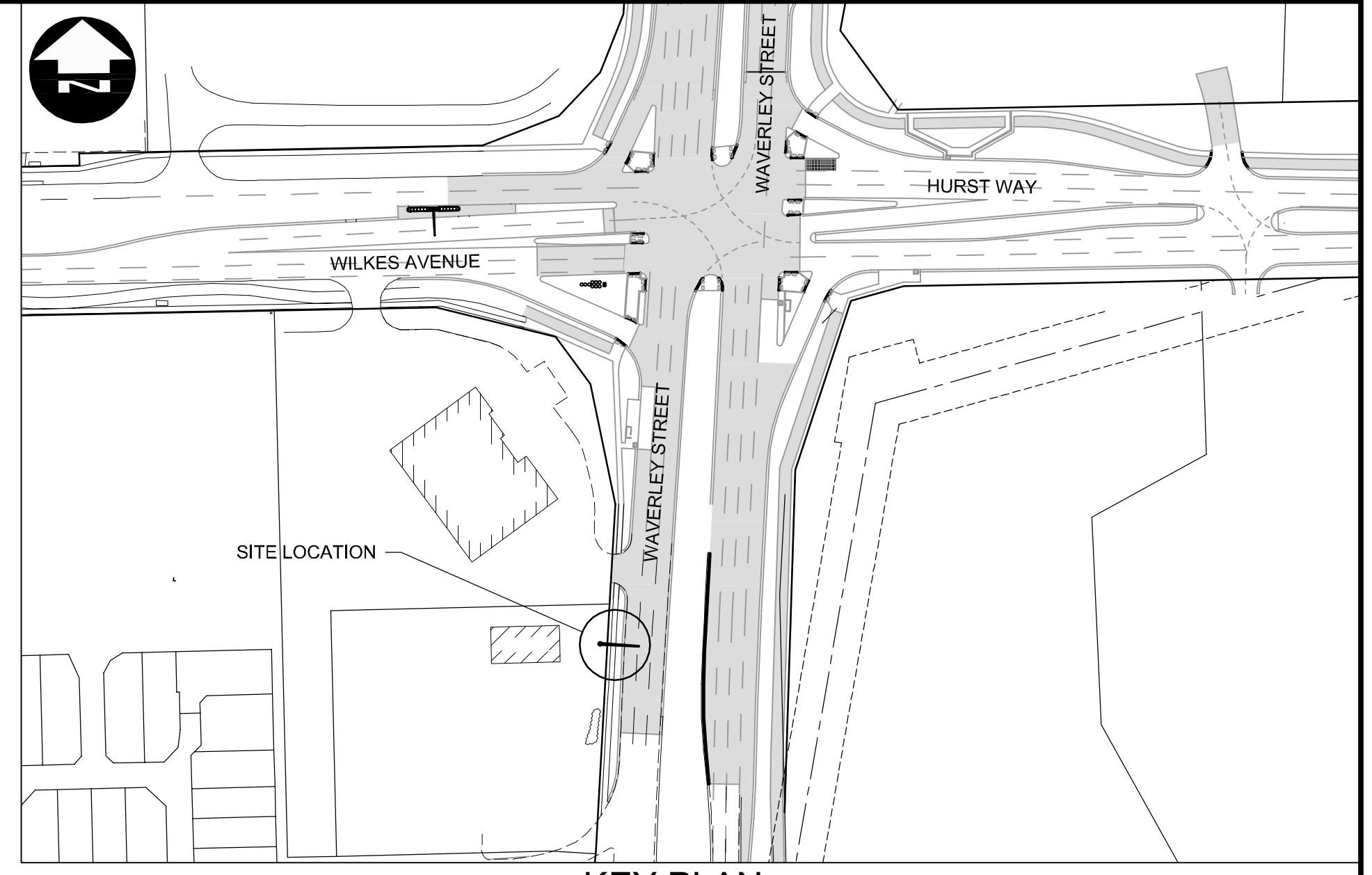
SECTION 1
1:20



ANCHOR BOLTS LAYOUT
1:20

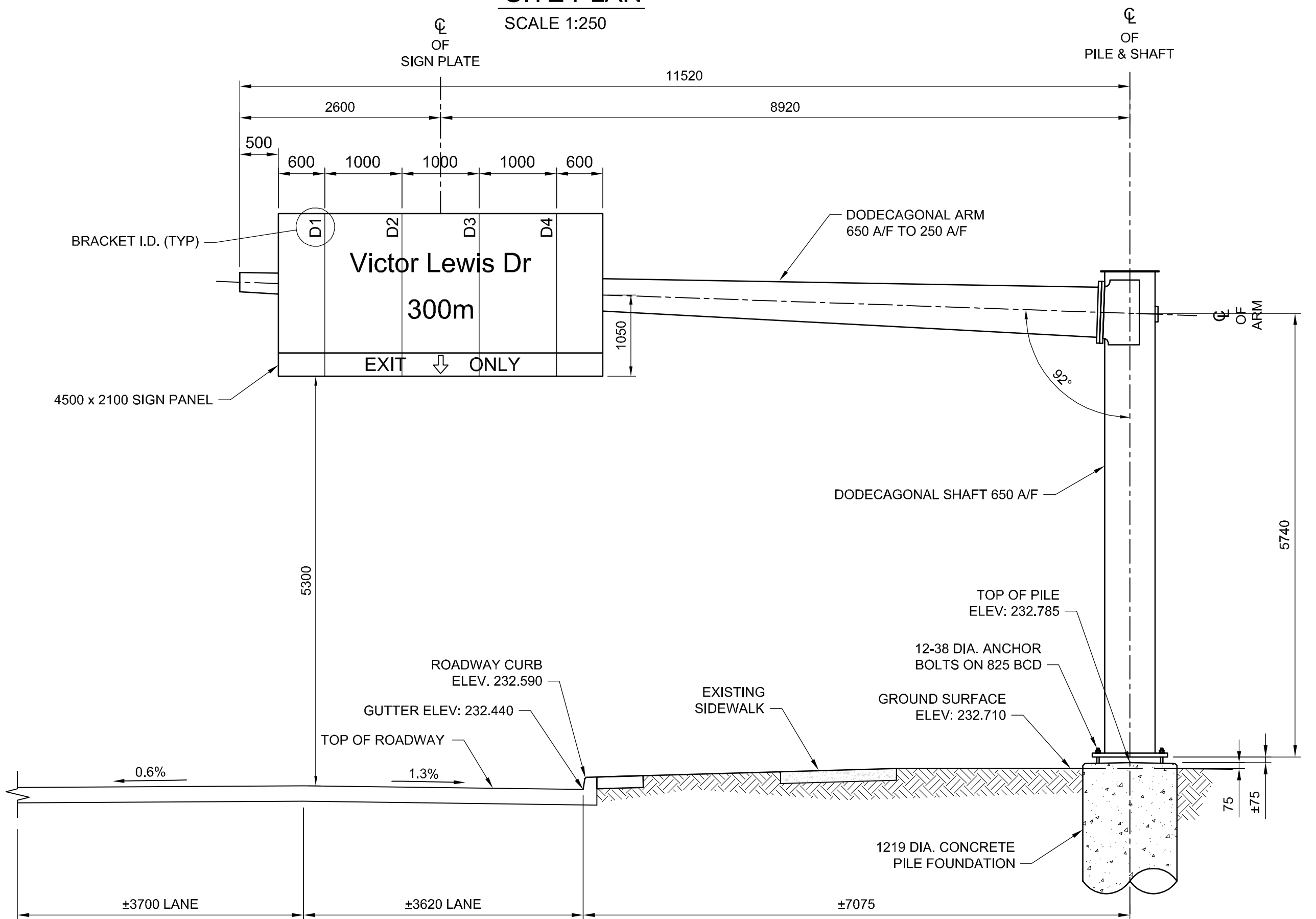


ANCHOR BOLT ASSEMBLY TEMPLATE
1:20

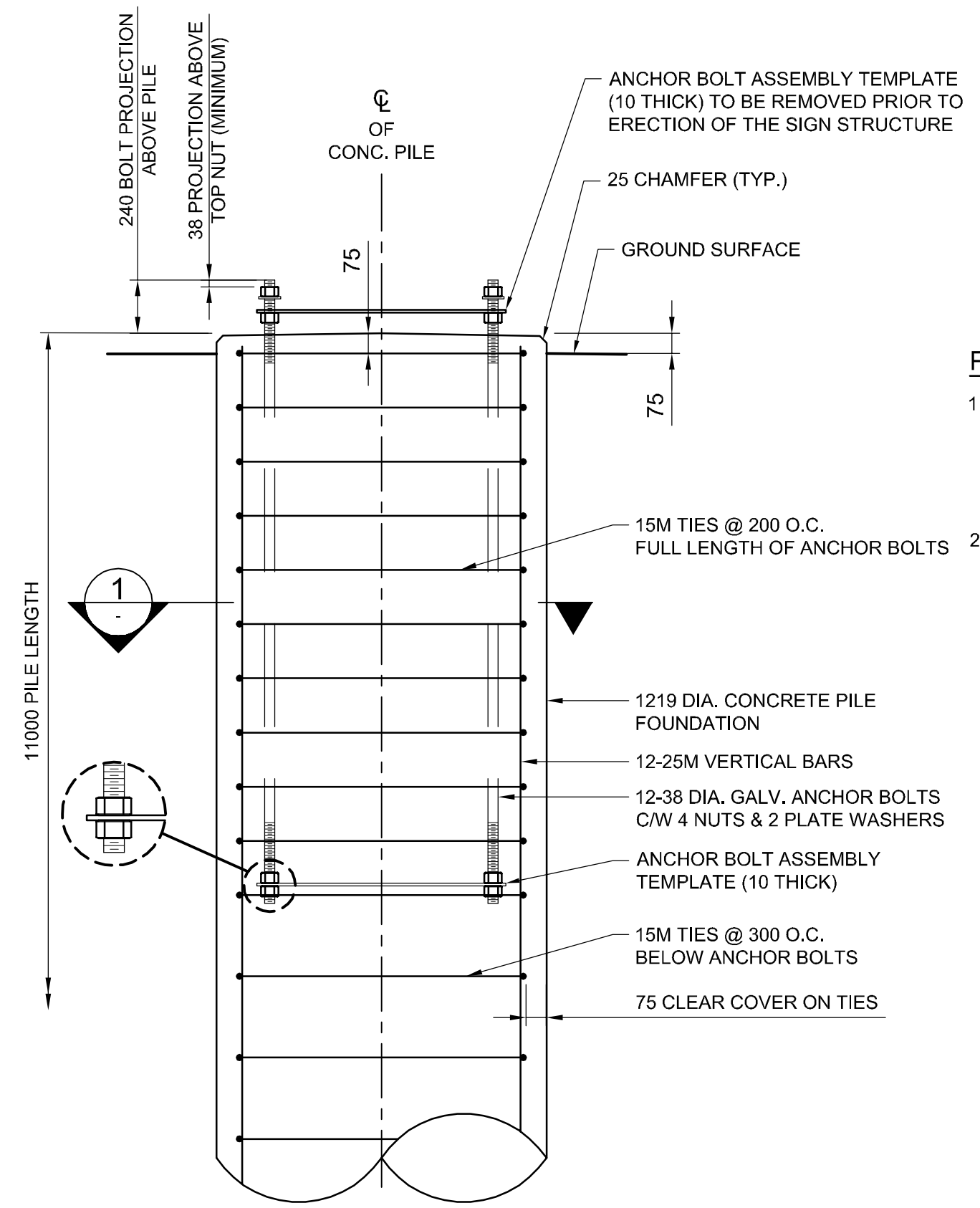


KEY PLAN
SCALE 1:1500

NOTE:
OHSS S784 CONCRETE PILE FOUNDATION ON PRIVATE PROPERTY TO BE ACQUIRED BY THE CITY. CONTRACTOR SHALL OBTAIN WRITTEN APPROVAL OF SUCCESSFUL PROPERTY ACQUISITION PRIOR TO COMMENCING ANY WORKS ON OHSS S784.



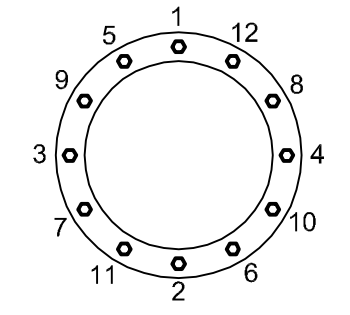
S784 ELEVATION - LOOKING SOUTH
1:50



CONCRETE PILE FOUNDATION DETAIL FOR S784
1:20

PILE CONSTRUCTION NOTES

- REINFORCING STEEL**
 - CSA G30.18 GR. 400W
 - VERTICAL BARS FULL LENGTH OF PILE
 - HOT DIP GALVANIZED IN ACCORDANCE WITH ASTM A767
- ANCHOR BOLTS**
 - ASTM F1554 GR.55 (380 MPa)
 - 12-38 DIA. ANCHOR BOLTS 2.0m LONG
 - EACH BOLT C/W 4 NUTS & 2 PLATE WASHERS (SEE PLATE WASHER DETAIL FOR MK. 14)
 - TOP 300 THREADED UNC CLASS 2A
 - BOTTOM 100 THREADED UNC CLASS 2A
 - HOT DIP GALVANIZED FULL LENGTH, IN ACCORDANCE WITH ASTM A153 CLASS C
 - B.C.D. = BOLT CIRCLE DIAMETER TO CENTRE OF BOLT GROUP
 - ANCHOR BOLTS SHALL BE ALIGNED WITH TEMPORARY STEEL TEMPLATES. PLACEMENT OF ANCHOR BOLTS AND CONCRETE WITHOUT THE TEMPLATES WILL NOT BE PERMITTED.
 - CONTRACTOR SHALL REMOVE THE TOP ANCHOR BOLT SETTING TEMPLATE, NUTS AND FORM, FOLLOWING A MINIMUM 24 HOUR CONCRETE CURING PERIOD.
 - FOLLOWING INSTALLATION OF THE STEEL STRUCTURE, TIGHTEN THE LOWER LEVELING NUTS AND UPPER ANCHOR NUTS TO A SNUG-TIGHT CONDITION, FOLLOWED BY 1/3 NUT ROTATION (+20°/0°) OF THE UPPER ANCHOR NUTS.
 - ANCHOR BOLTS SHALL BE TIGHTENED USING A STAR PATTERN TIGHTENING SEQUENCE.

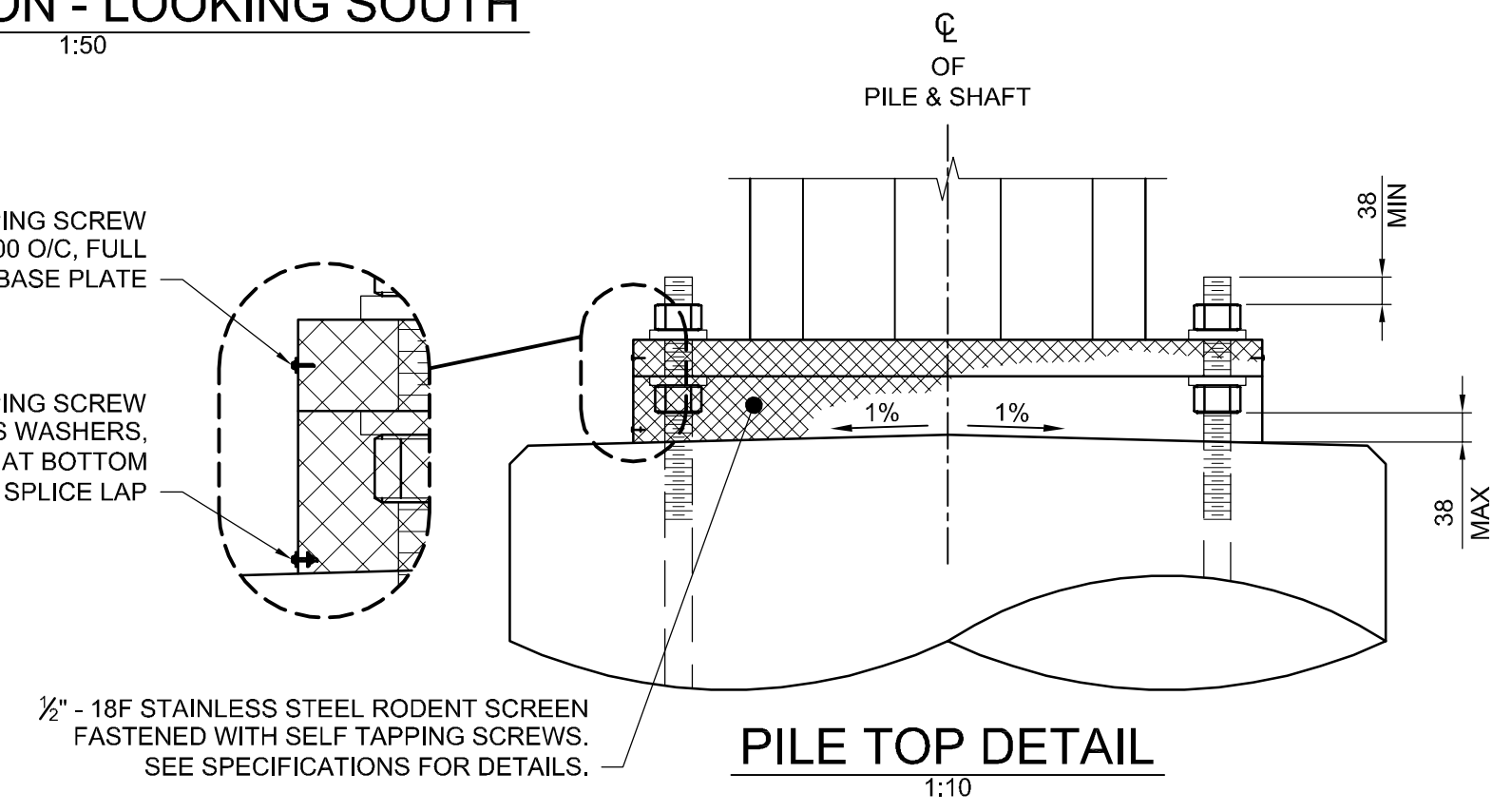


- FORM TOP OF PILE WITH A TUBULAR FORM (SONOTUBE):**
 - 1m FOR DRILLED SHAFTS
 - 1.5m FOR HYDRO-EXCAVATED SHAFTS

- CONCRETE MIX DESIGN**
PROPORTIONING OF FINE AGGREGATE, COARSE AGGREGATE, CEMENT, WATER, AND AIR ENTRAINING AGENT SHALL BE SUCH AS YIELD CONCRETE HAVING THE REQUIRED STRENGTH AND WORKABILITY AS FOLLOWS:
 - CLASS OF EXPOSURE: S-1
 - MINIMUM COMPRESSIVE STRENGTH AT 56 DAYS = 35 MPa
 - MAXIMUM WATER/CEMENT RATIO = 0.40
 - AIR CONTENT: CATEGORY 2 PER TABLE 4 OF CSA A23.1-14 (4-7%)
 - CEMENT IN ACCORDANCE WITH CSA A23.1-14

NOTE:
ELEVATIONS SHOWN ARE APPROXIMATE. CONTRACTOR SHALL VERIFY ALL ELEVATIONS PRIOR TO INSTALLATION OF CONCRETE PILE FOUNDATION.

- #8 - 1/2" LONG SS SELF-TAPPING SCREW C/W SS WASHER AT 200 O/C, FULL CIRCUMFERENCE OF BASE PLATE
- #8 - 3/4" LONG SS SELF-TAPPING SCREW C/W SS NUT, 2 FLAT SS WASHERS, AND SS LOCK WASHER AT BOTTOM OF RODENT SCREEN SPLICE LAP



PILE TOP DETAIL
1:10

METRIC

WHOLE NUMBERS INDICATE MILLIMETRES
DECIMALIZED NUMBERS INDICATE METRES

WARNING

- IF POWER EQUIPMENT OR EXPLOSIVES ARE TO BE USED FOR EXCAVATION ON THIS PROJECT THE CONTRACTOR MUST:
1. NOTIFY THE GAS COMPANY OF THE PROPOSED LOCATION OF EXCAVATION.
 2. TAKE PRECAUTION TO AVOID DAMAGE TO GAS COMPANY INSTALLATIONS SEE PROVINCIAL REGULATION 210/72 FOR DETAILS.
 3. OBTAIN EXCAVATION PERMITS PRIOR TO CONSTRUCTION.

CENTRE OF PILE LAYOUT TABLE				
STRUCTURE	STATION	O/S	NORTHING	EASTING
S784	1+369.67	18.27	5523077.490	630862.215

APEGM
Certificate of Authorization
Dillon Consulting Limited (MB)
No. 1789 Date: 2017/01/09

DESIGNED BY	DRA	CHECKED BY	SSR
DRAWN BY	MDG	APPROVED BY	DBW
HOR. SCALE	AS SHOWN	RELEASED FOR CONSTRUCTION	
VERTICAL	AS SHOWN		
ISSUED FOR TENDER	17/01/09	DA	
NO. REVISIONS	DATE	BY	DATE

ENGINEER'S SEAL
PROVINCE OF MANITOBA
D.R.C. AMORIM
Member 33215
REGISTERED PROFESSIONAL ENGINEER
CONSULTANT PROJECT NUMBER
16-3353

THE CITY OF WINNIPEG
PUBLIC WORKS DEPARTMENT
Winnipeg
WAVERLEY STREET UNDERPASS AT CN MILE 3.89 RIVERS SUB
CONTRACT 2: UNDERPASS STRUCTURE, RAILWORKS,
ROADWORKS, LAND DRAINAGE SEWER, PUMPING STATION
AND LANDSCAPING WORKS
S784 - SB WAVERLEY AT VICTOR LEWIS
CITY DRAWING NUMBER
U-239-2016-C2-CS-077
SHEET 077 OF 085
CONSULTANT DRAWING NUMBER
C2-CS-077

G:\CAD\163353\Technical Workspace\Engineering\Drawings and Figures\Structures\Contract\163353-C2-CON-CS-OHSS-S784.dwg