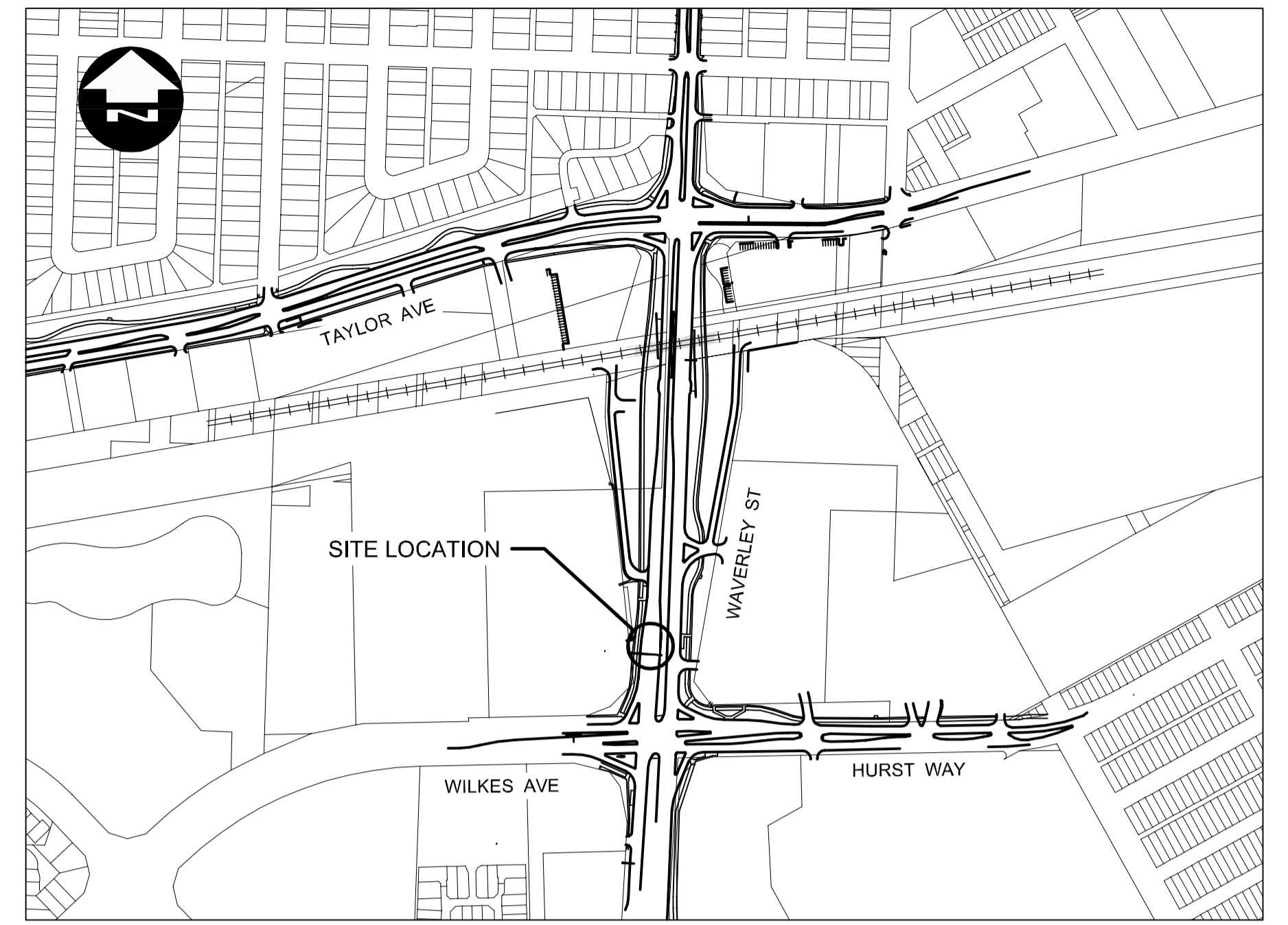
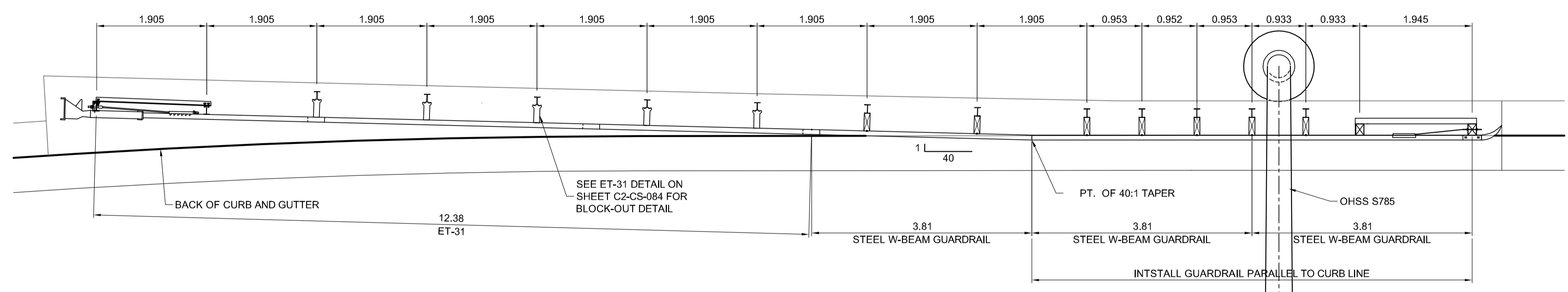


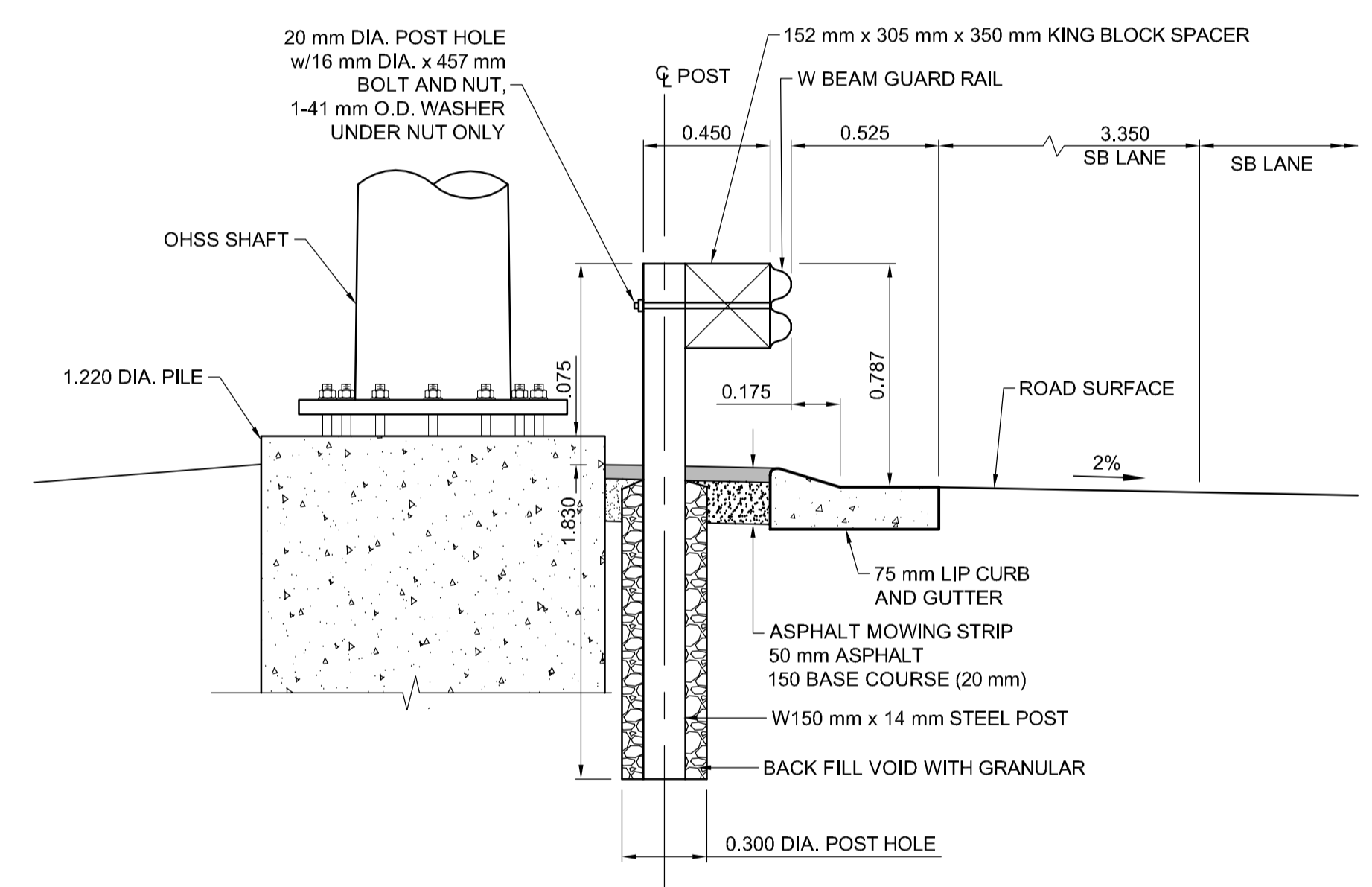
SITE PLAN
SCALE: 1:200



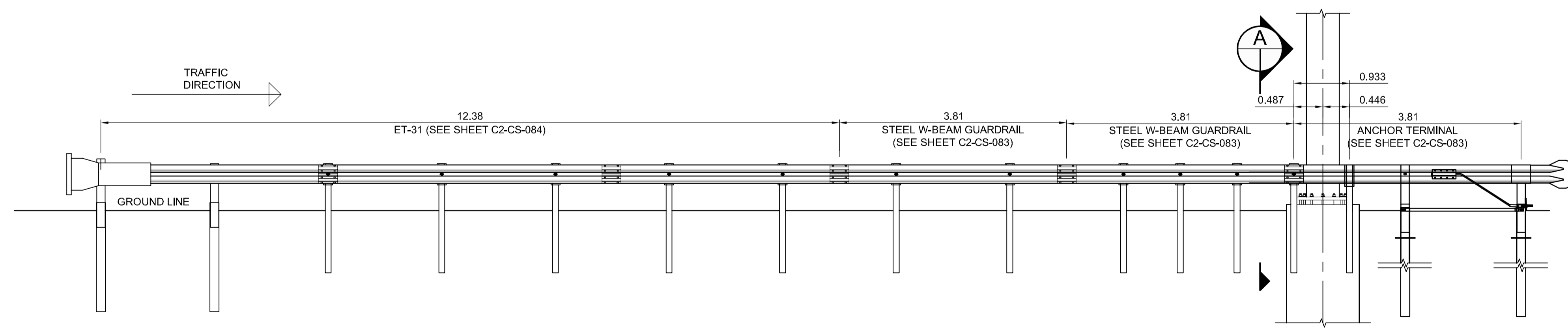
KEY PLAN



PLAN VIEW
SCALE: 1:50



A GUARDRAIL SECTION
SCALE: 1:20



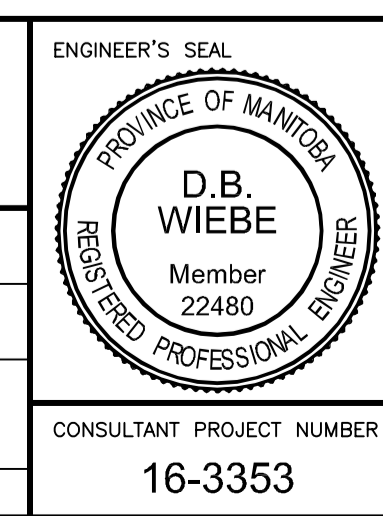
ELEVATION VIEW
SCALE: 1:50

G:\CAD\163353\Technical Workspace\Engineering\Drawings and Figures\Structures\Engineering\Drawings and Figures\C2-CS-082-CON-CS-OHSS-S785-GUARDRAIL_1.dwg



DESIGNED BY	RTP	CHECKED BY	DBW
DRAWN BY	TJH	APPROVED BY	DBW
HOR. SCALE	AS SHOWN	RELEASED FOR CONSTRUCTION	
VERTICAL SCALE	AS SHOWN		
NO.	REVISIONS	DATE	BY
0	ISSUED FOR TENDER	17/01/09	DBW

DILLON CONSULTING	
DESIGNED BY	RTP
CHECKED BY	DBW
DRAWN BY	TJH
APPROVED BY	DBW
HOR. SCALE	AS SHOWN
VERTICAL SCALE	AS SHOWN
CONSULTANT PROJECT NUMBER	16-3353



THE CITY OF WINNIPEG PUBLIC WORKS DEPARTMENT	
Winnipeg	
WAVERLEY STREET UNDERPASS AT CN MILE 3.89 RIVERS SUB CONTRACT 2: UNDERPASS STRUCTURE, RAILWORKS, ROADWORKS, LAND DRAINAGE SEWER, PUMPING STATION AND LANDSCAPING WORKS	
CITY DRAWING NUMBER	U-239-2016-C2-CS-082
SHEET	082 OF 085
CONSULTANT DRAWING NUMBER	C2-CS-082
S785 - GUARDRAIL LAYOUT	