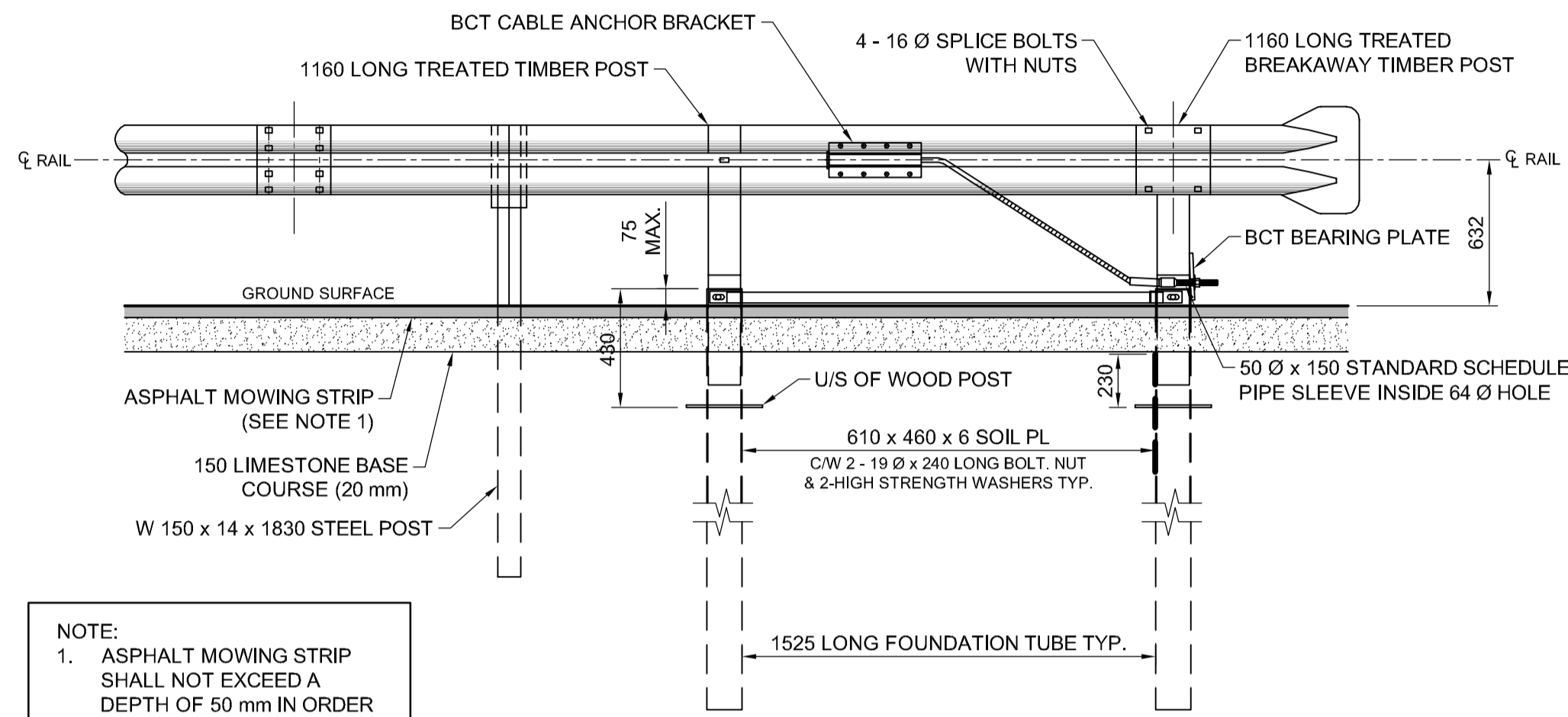


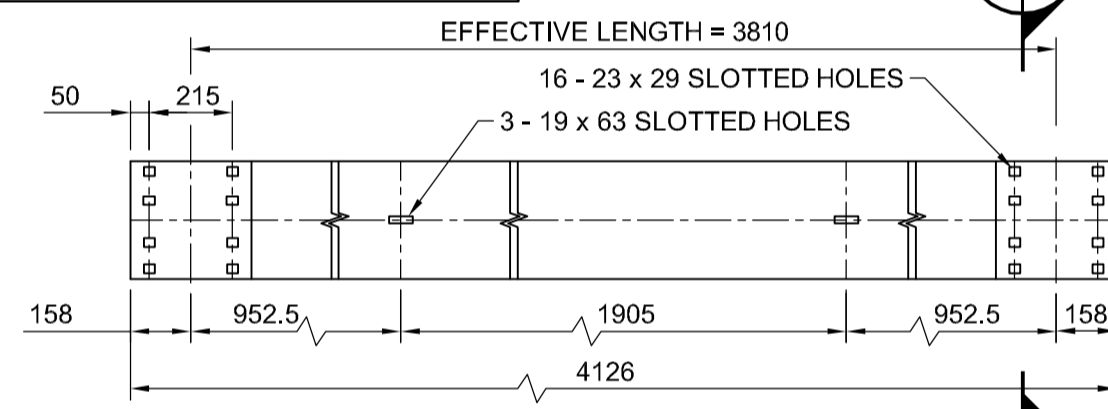
PLAN
NTS



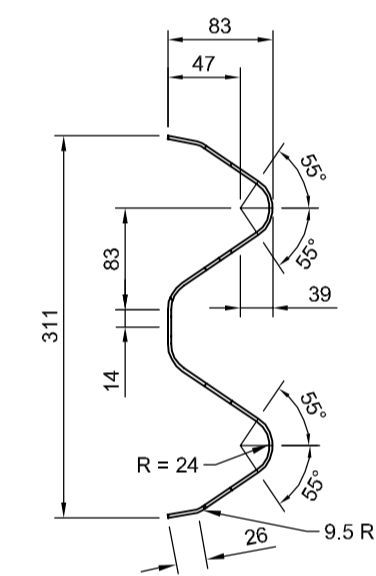
CABLE ANCHOR TERMINAL ELEVATION
NTS

NOTE:
1. ASPHALT MOWING STRIP SHALL NOT EXCEED A DEPTH OF 50 mm IN ORDER FOR GUARDRAIL TO PERFORM AS DESIGNED

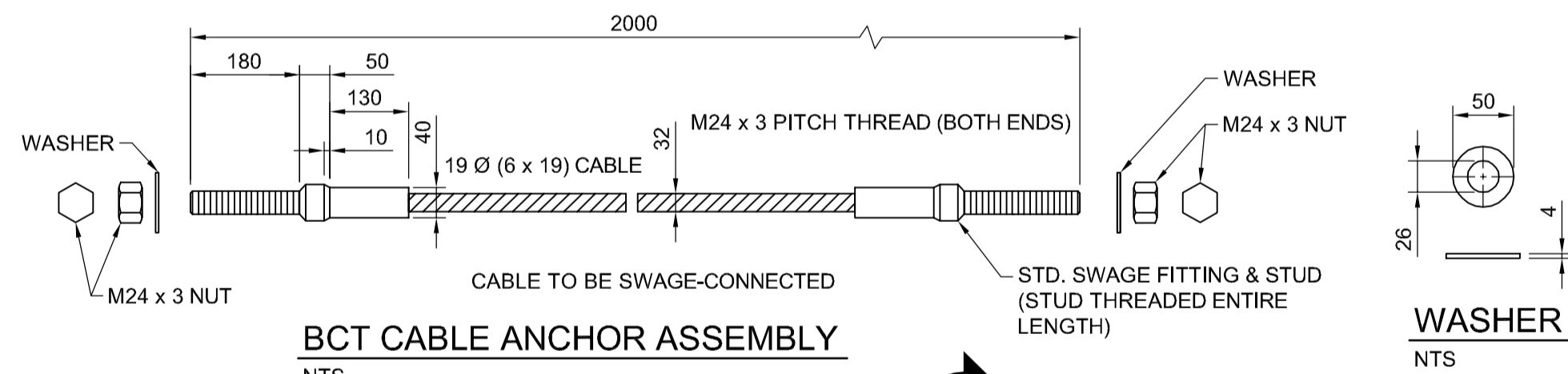
A FINISHED THICKNESS OF RAIL TO BE 2.82 mm NOMINAL STEEL AND HOT DIPPED GALVANIZED AFTER FABRICATION



ELEVATION - W-BEAM
NTS

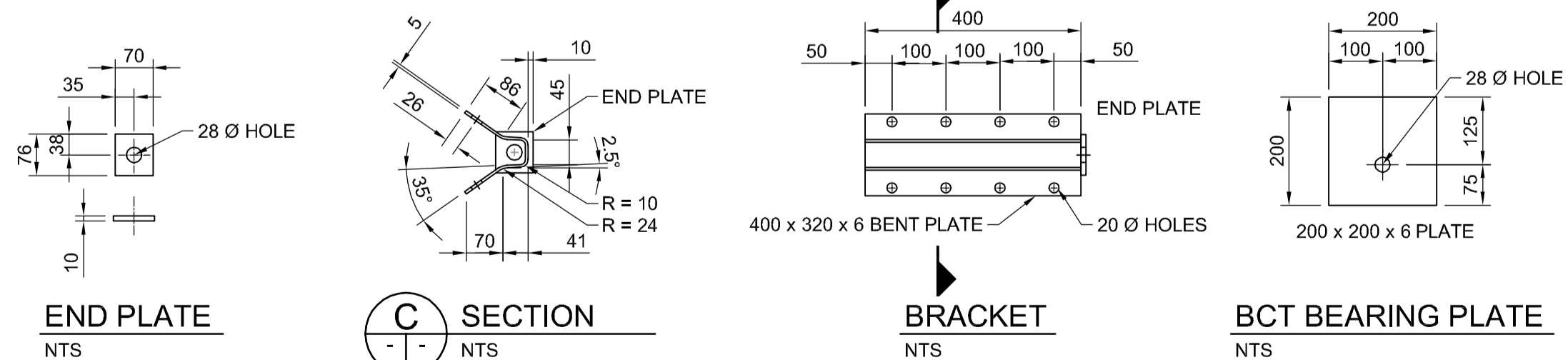


SECTION A
NTS



BCT CABLE ANCHOR ASSEMBLY
NTS

WASHER
NTS



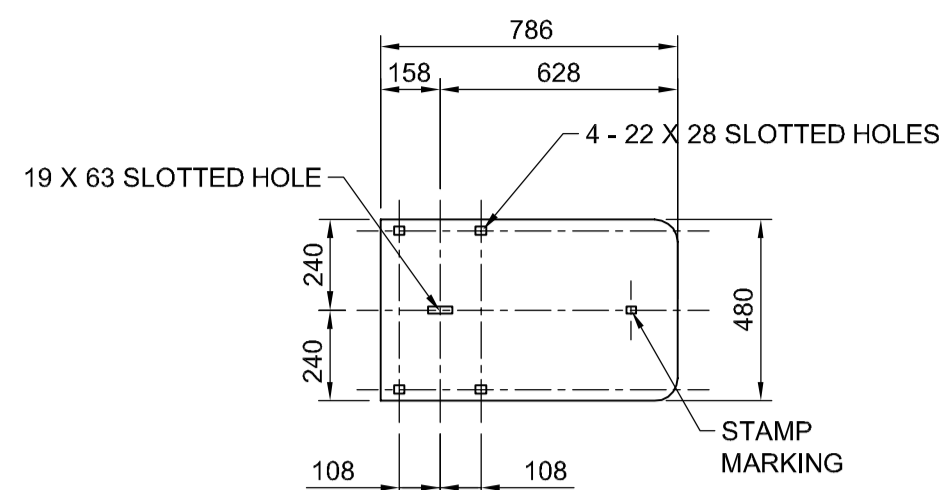
END PLATE
NTS

SECTION C
NTS

BRACKET
NTS

BCT BEARING PLATE
NTS

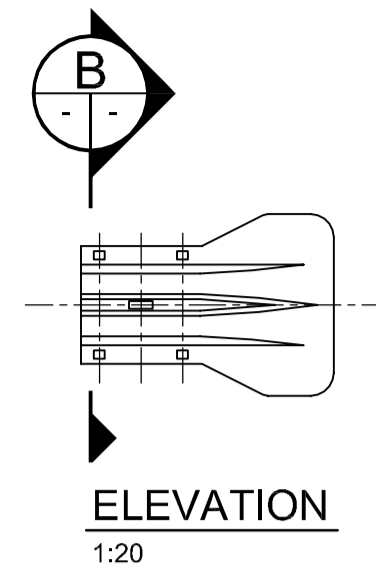
W-BEAM CABLE ANCHOR TERMINAL HARDWARE



BLANK LAYOUT
1:20

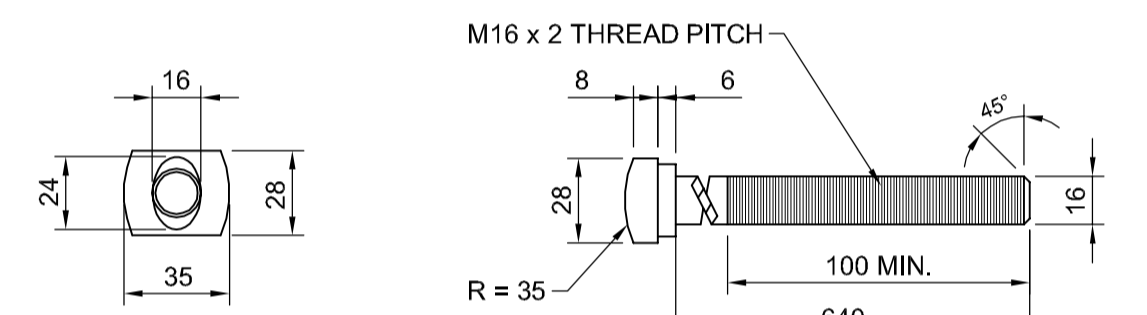
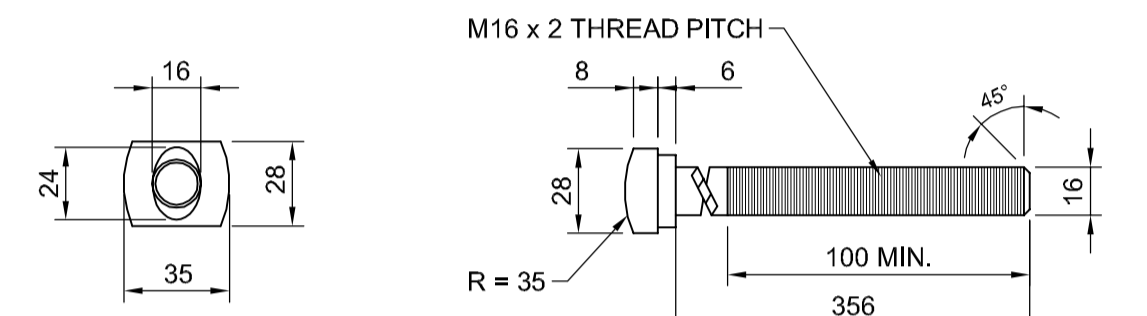
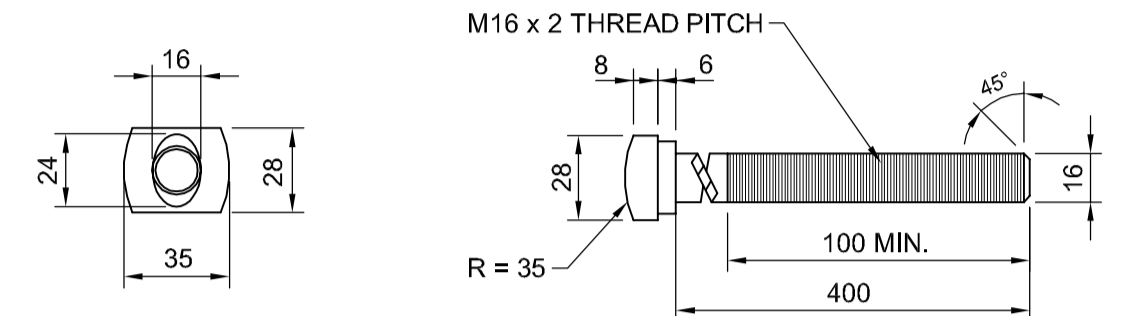
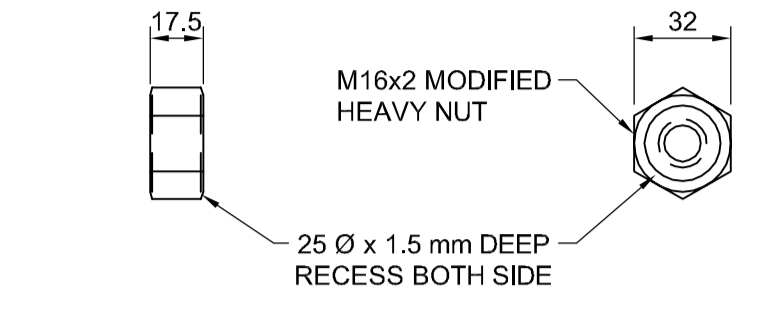
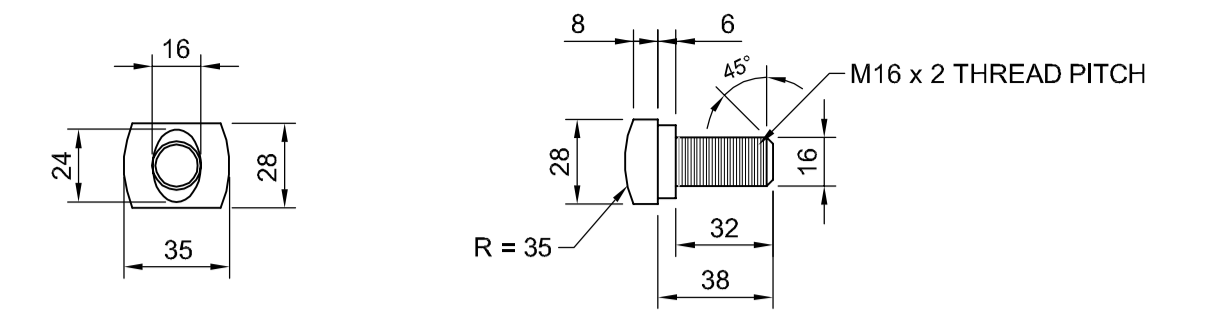
THICKNESS OF STEEL = 2.82mm AFTER GALVANIZED

PLAN
1:20

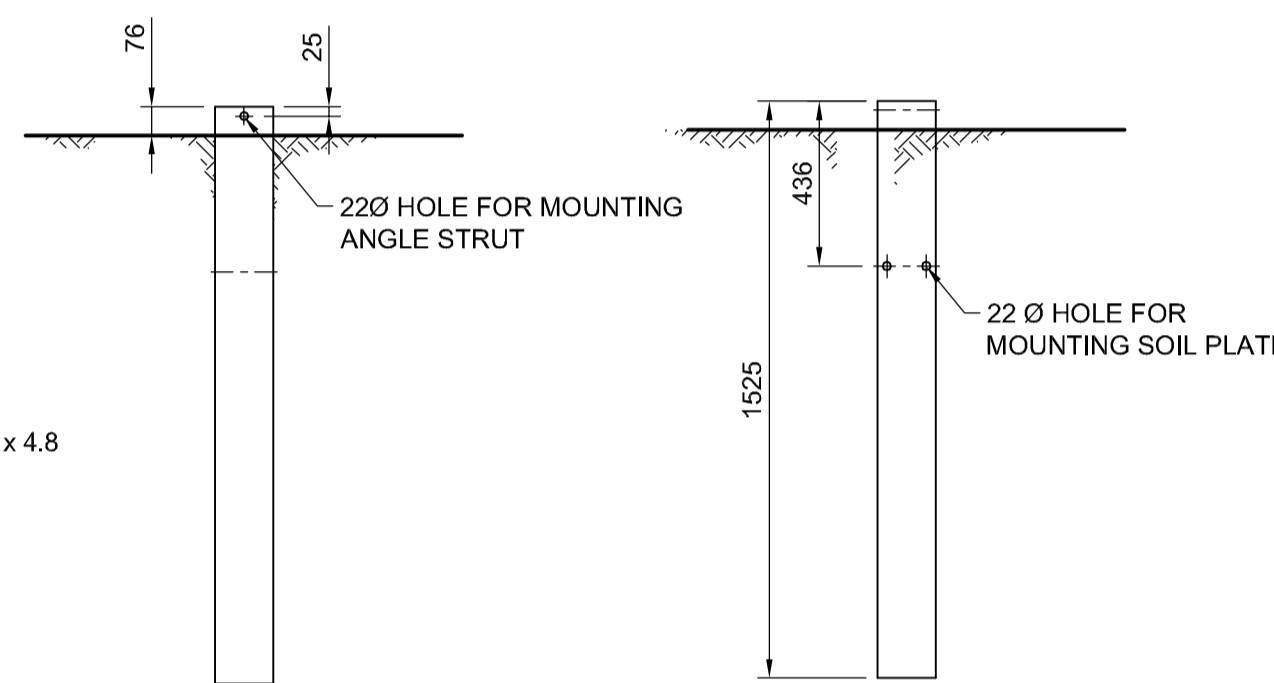


ELEVATION
1:20

SECTION B
N.T.S.



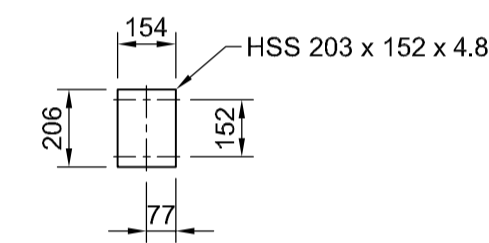
GUARDRAIL BOLT AND RECESSED NUT
1:2.5



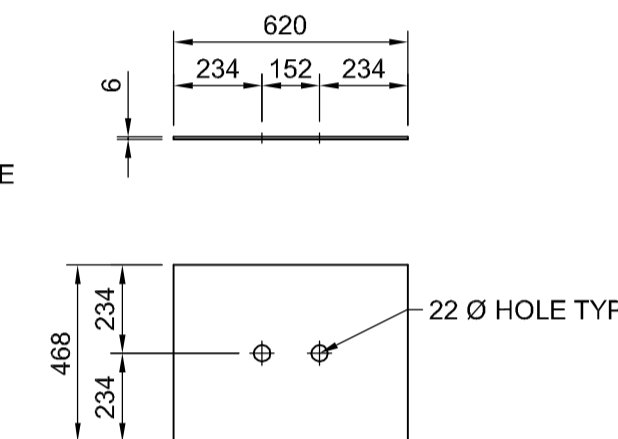
FRONT ELEVATION
1:20

SIDE ELEVATION
1:20

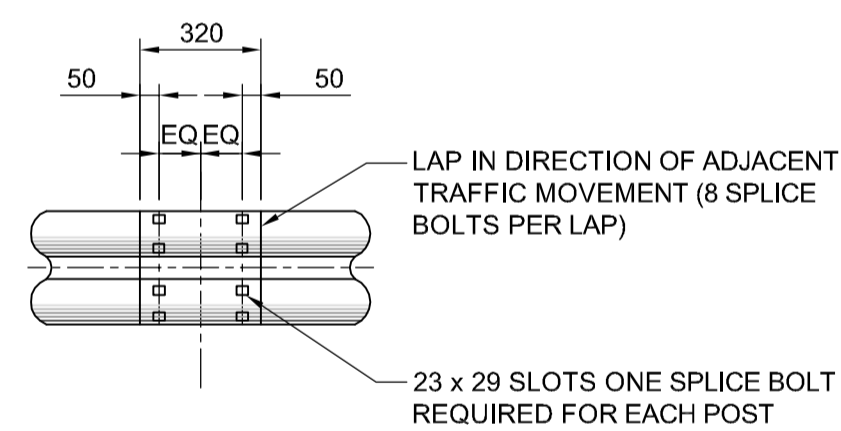
CABLE ANCHOR TERMINAL FOUNDATION TUB



PLAN
1:20



SOIL PLATE
1:20



RAIL SPICE DETAIL
1:20

G:\CAD\163353\Technical\Workspace\Engineering\Drawings and Figures\Structures\Contract\163353-C2-CON-CS-04SS-S785-GUARDRAIL_2.dwg

APEGM
Certificate of Authorization
Dillon Consulting Limited (MB)
No. 1789 Date: 2017/01/09

DESIGNED BY	CHECKED BY	RTP
DRAWN BY	APPROVED BY	DBW
HOR. SCALE	AS SHOWN	RELEASED FOR CONSTRUCTION
VERTICAL	AS SHOWN	DATE
NO.	REVISIONS	DATE BY
0	ISSUED FOR TENDER	17/01/09 DBW

DILLON CONSULTING	
DESIGNED BY	CHECKED BY
DRAWN BY	APPROVED BY
HOR. SCALE	AS SHOWN
VERTICAL	AS SHOWN

ENGINEER'S SEAL
CONSULTANT PROJECT NUMBER
16-3353

THE CITY OF WINNIPEG
PUBLIC WORKS DEPARTMENT

Waverley Street Underpass at CN Mile 3.89 Rivers Sub
Contract 2: Underpass Structure, Railworks,
Roadworks, Land Drainage Sewer, Pumping Station
and Landscaping Works

CITY DRAWING NUMBER
U-239-2016-C2-CS-083
SHEET 083 OF 085
CONSULTANT DRAWING NUMBER
C2-CS-083

S785 - GUARDRAIL DETAILS