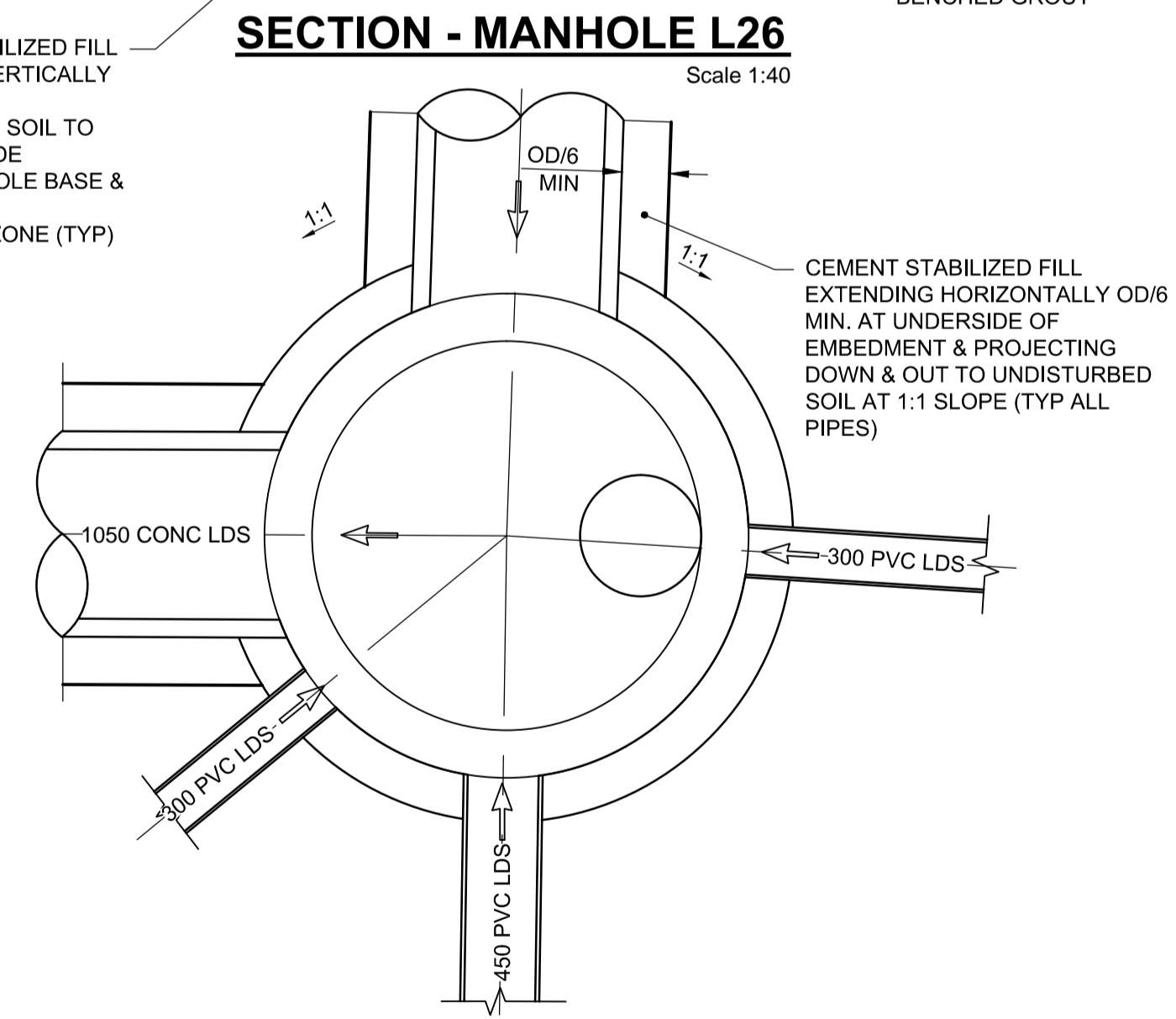
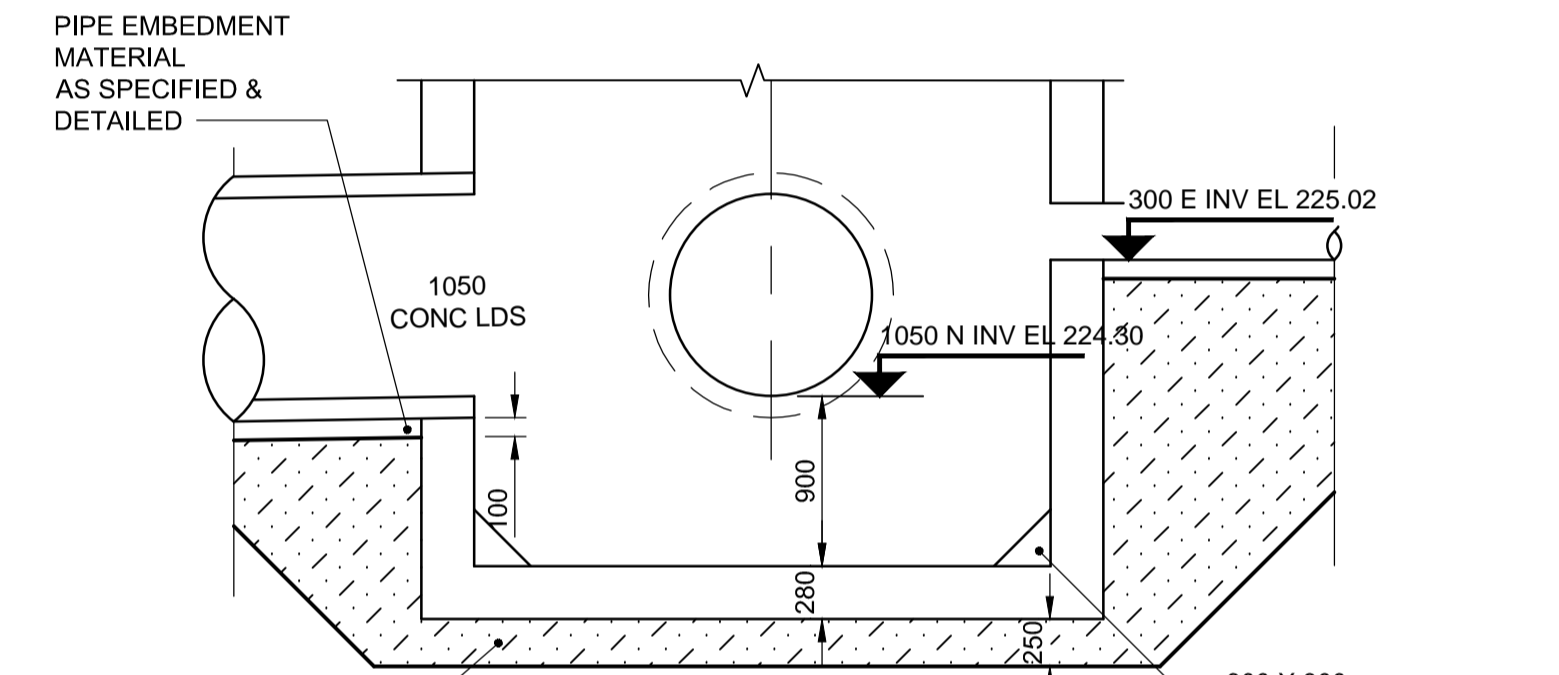
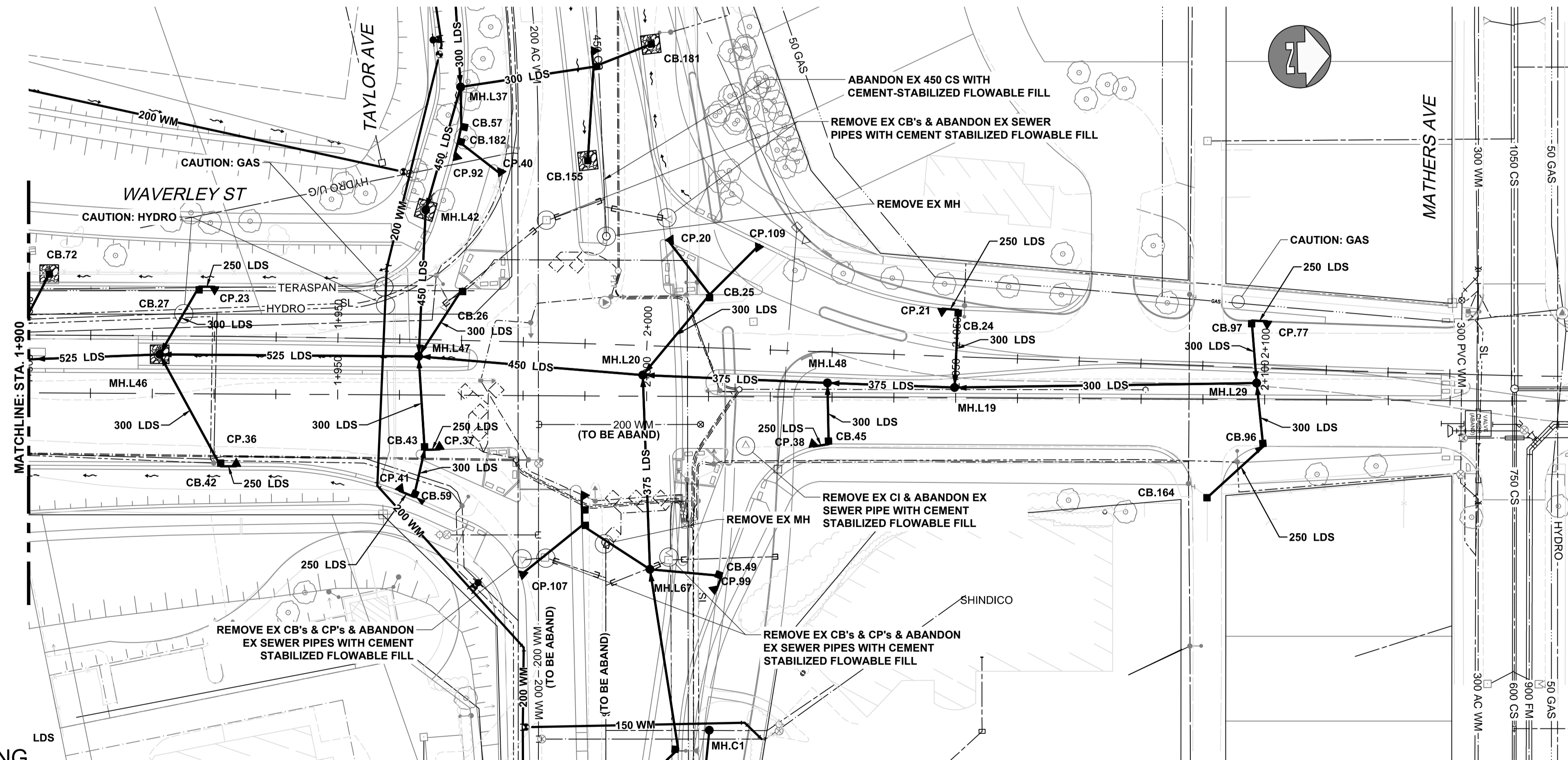


CHAINAGE ALONG CL OF WAVERLEY ST



WARNING

- IF POWER EQUIPMENT OR EXPLOSIVES ARE TO BE USED FOR EXCAVATION ON THIS PROJECT THE CONTRACTOR MUST:
1. NOTIFY THE GAS COMPANY OF THE PROPOSED LOCATION OF EXCAVATION.
 2. TAKE PRECAUTION TO AVOID DAMAGE TO GAS COMPANY INSTALLATIONS SEE PROVINCIAL REGULATION 210/72 FOR DETAILS.
 3. OBTAIN EXCAVATION PERMITS PRIOR TO CONSTRUCTION.

NOTE: REFER TO LDS STRUCTURE & LOCATION SCHEDULE ON DRAWING C2-CU-040 FOR FURTHER CATCHBASIN, CATCHPIT, DITCH INLET & MANHOLE INFORMATION

FOR FURTHER INFO SEE DWG C2-CU-019 & DWG C2-CU-020

EXISTING STORM WATER RETENTION BASIN
SRB 6-22:
NWL - 229.82
HWL - 231.04

APEGM
Certificate of Authorization
AECOM Canada Ltd.
No. 4671 Date: _____

METRIC
WHOLE NUMBERS INDICATE MILLIMETRES
DECIMALIZED NUMBERS INDICATE METRES

BID OPPORTUNITY NO. 473-2016

EXISTING	LEGEND - PLAN	NEW	EXISTING	LEGEND - PLAN	NEW	EXISTING	LEGEND - PROFILE	NEW
	WATER MAIN			PIPE ABANDONMENTS			WATER MAIN	
	HYDRANT			SURVEY BAR			HYDRANT	
	CURB STOP			REDUCER			LAND DRAINAGE SEWER	
	WASTE WATER SEWER			ANODE			PAVEMENT CROWN	
	SEWER CONNECTION PIPE			MTS			N/W GUTTER	
	CATCH BASIN			TESTHOLE			GAS	
	CURB INLET			LAMP STANDARD			LAMP STANDARD	
	CULVERT			LAMP STANDARD			LAMP STANDARD	

UNDERGROUND STRUCTURES	B.M. ELEV.
SUPV. U/G STRUCTURES	DATE
0 ISSUED FOR TENDER	17/01/09 Wjd
NO. REVISIONS	DATE BY DATE

AECOM

DESIGNED BY	MPG	CHECKED BY	
DRAWN BY	KLC	APPROVED BY	
HOR. SCALE	1:500	RELEASED FOR CONSTRUCTION	
VERTICAL SCALE	1:100	DATE	

ENGINEER'S SEAL

PROVINCE OF MANITOBA
M.P.A. GAUDREAU
Member 32167
REGISTERED PROFESSIONAL ENGINEER

CONSULTANT PROJECT NUMBER: 60321148

THE CITY OF WINNIPEG
PUBLIC WORKS DEPARTMENT

WAVERLEY STREET UNDERPASS AT CN MILE 3.89 RIVERS SUB
CONTRACT 2: UNDERPASS STRUCTURE, RAILWORKS,
ROADWORKS, LAND DRAINAGE SEWER, PUMPING STATION
AND LANDSCAPING WORKS

CITY DRAWING NUMBER: U239-2016-C2-CU-024
SHEET 24 OF 41

WAVERLEY STREET - PLAN/PROFILE
LDS
STATION 1+900 TO STATION 2+200

CONSULTANT DRAWING NUMBER: C2-CU-024