

**MATERIALS**

COMPOSITE SLATS:  
- 89mm x 89mm COMPOSITE BOARDS  
- CEDAR TONE FINISH

METAL OPTIONS:

- **BLACK POWDERCOATED** - (Metal suitably cleaned to remove any grease, wax etc. for proper paint bonding to occur. Base coat Zinc rich primer. Baked with a final thickness of paint between 5-8 mil - **Product # 52501086**

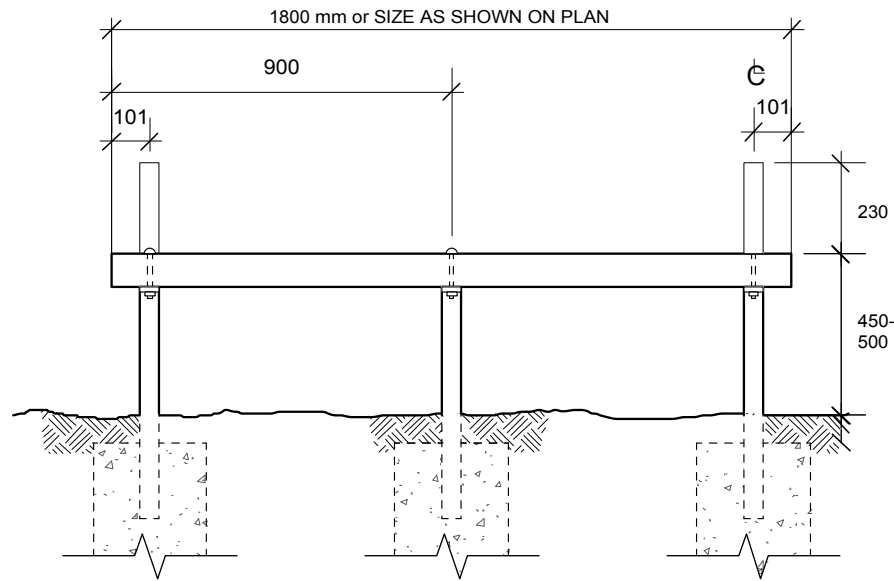
- **GALVANIZED** - **Product # 52501086GLV**

Drawing Title:

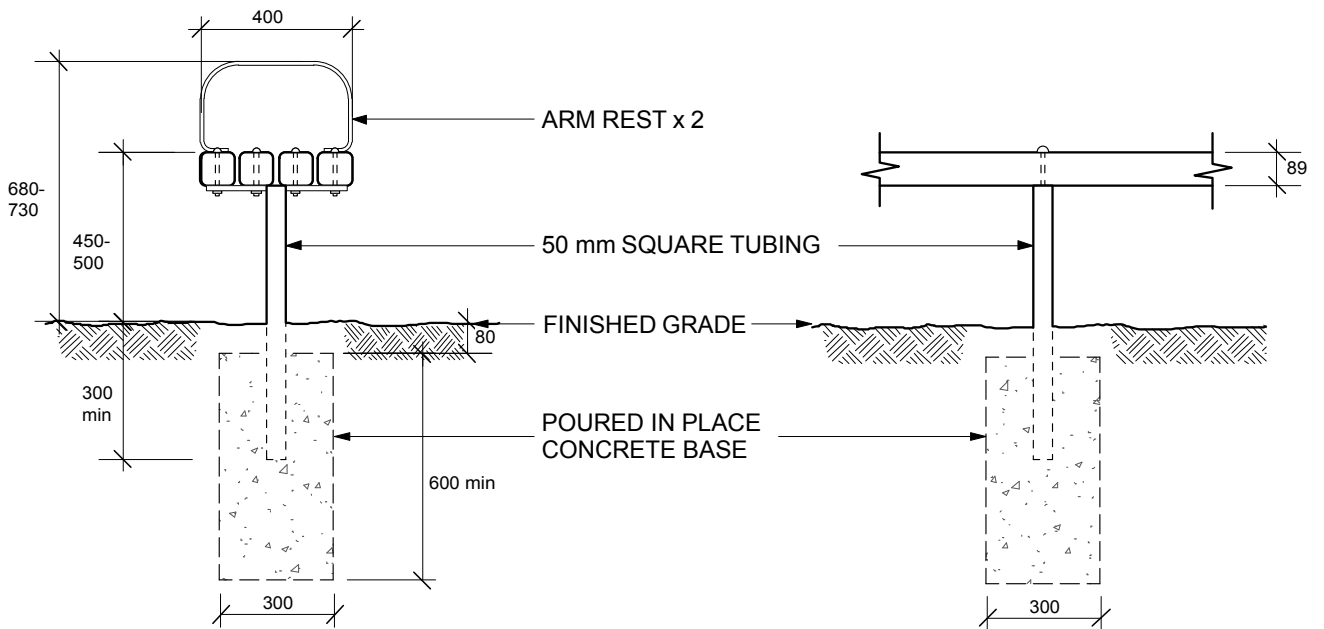
**TACHE BACKLESS BENCH  
COMPOSITE WITH ARMS**

Drawing No:

**SCD-121C**



**FRONT ELEVATION**



**SIDE ELEVATION**

**SUPPORT DETAILS**

DIMENSIONS SHOWN ARE IN MILLIMETRES UNLESS OTHERWISE SPECIFIED

REVISION: 2  
DATE: December 20, 2012  
SCALE: N.T.S.  
DRAWN BY: SP

The City of Winnipeg  
Planning, Property and Development Department  
Planning and Land Use Division  
Unit 15 - 30 Fort Street, Winnipeg, MB, R3C 4X5

