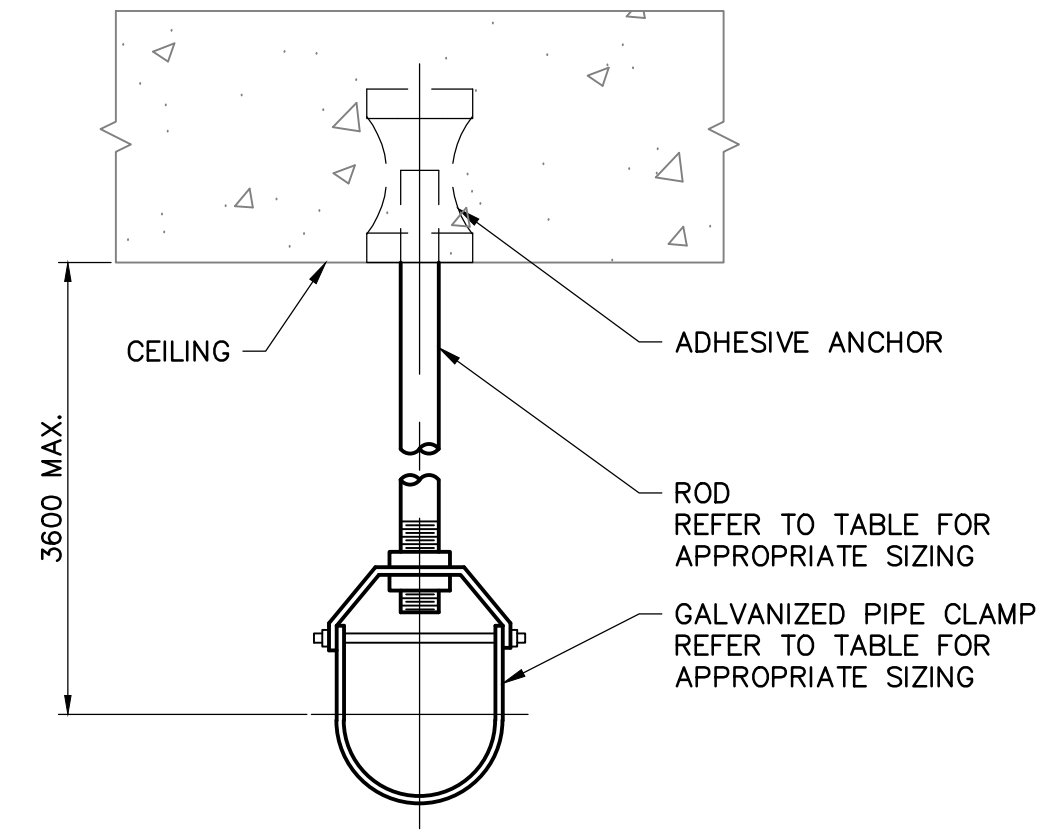


1 CLEAN OUT DETAIL  
SCALE 1:10



PIPE SIZE (mm)	ROD SIZE (mm)	MAX LOAD (kg)
150	20.0	1230

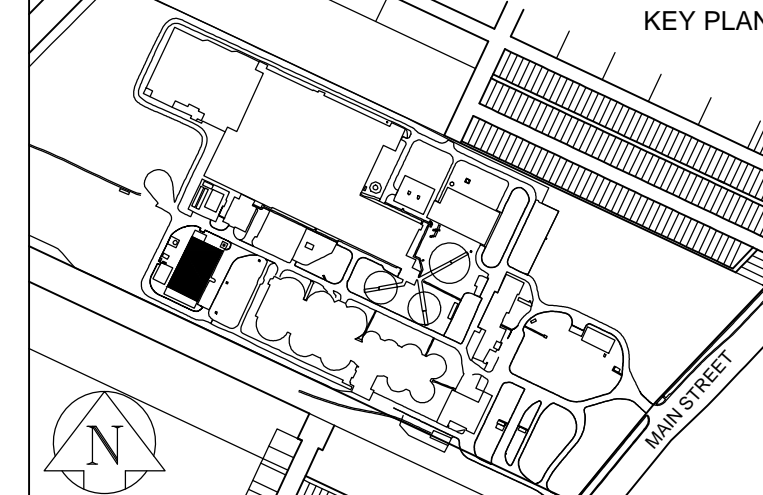
GRINNEL OR SIMILAR, SAFETY FACTOR = 5

2 PIPE SUPPORT  
SCALE NONE

LOWER LEVEL PLAN  
SCALE : 1:100

- NOTES:
- DIFFUSERS UNDER DECANTER ARRANGEMENTS OMITTED FOR CLARITY.

NOTICE:  
AS-CONSTRUCTED DIMENSIONS, MEASUREMENTS AND OTHER DETAILS CONTAINED IN THIS RECORD DRAWING HAVE BEEN OBTAINED BY AECOM CANADA LTD. ("AECOM") FROM VARIOUS SOURCES. SUCH INFORMATION REPRESENTS THE BEST INFORMATION AVAILABLE TO AECOM AT THE TIME OF PREPARATION OF THIS RECORD DRAWING. AECOM DOES NOT IN ANY WAY REPRESENT OR WARRANT THAT SUCH INFORMATION IS ACCURATE AND ASSUMES NO RESPONSIBILITY FOR ANY ERRORS OR OMISSIONS CONTAINED THEREIN.



**APEGM**  
Certificate of Authorization  
AECOM Canada Ltd.  
No. 4671 Date: *JUNE 23/16*

NO.	ISSUED FOR TENDER: BID OP 547-2016	DATE	BY
00	ISSUED FOR TENDER: BID OP 547-2016	16/06/23	SRG

**AECOM**

DESIGNED BY	NK	CHECKED BY	KJS
DRAWN BY	SRG	APPROVED BY	KJS
SCALE: HORIZONTAL	NTS	RELEASED FOR CONSTRUCTION	
VERTICAL			
DATE	2016 06 23	DATE	

PROVINCE OF MANITOBA  
*JUNE 23/16*  
**K.J. SEARS**  
REGISTERED PROFESSIONAL ENGINEER

**THE CITY OF WINNIPEG**  
WATER AND WASTE DEPARTMENT  
ENGINEERING DIVISION

2016 NEWPCC  
SBR UPGRADES  
PROCESS  
SBR TANKS  
LOWER LEVEL PLAN & DETAILS

CITY DRAWING NUMBER: 1-0101C-P0051-001-00 SHEET 10 OF 15