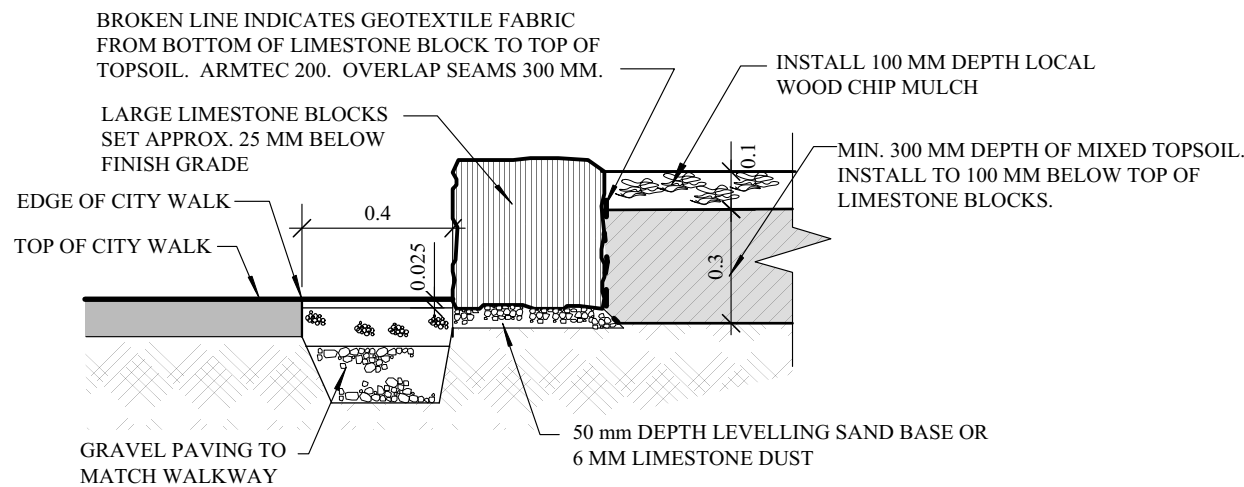
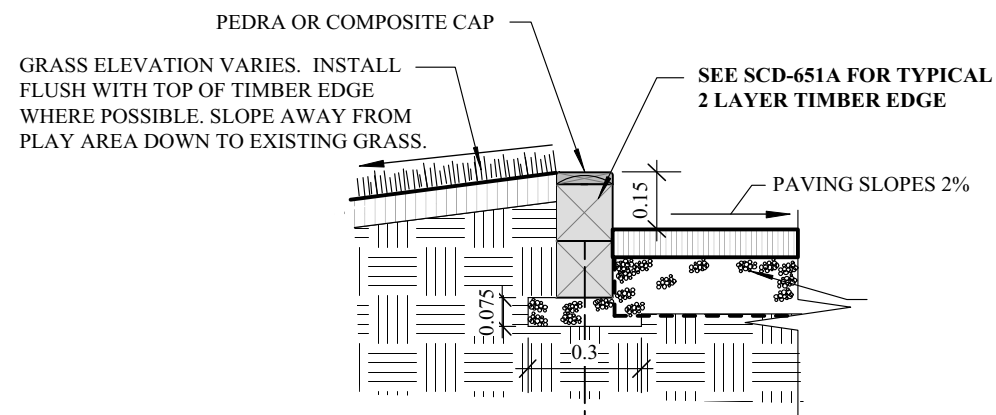


1 LIMESTONE PLANTER WALLS PLAN VIEW
L4 Scale: 1:100

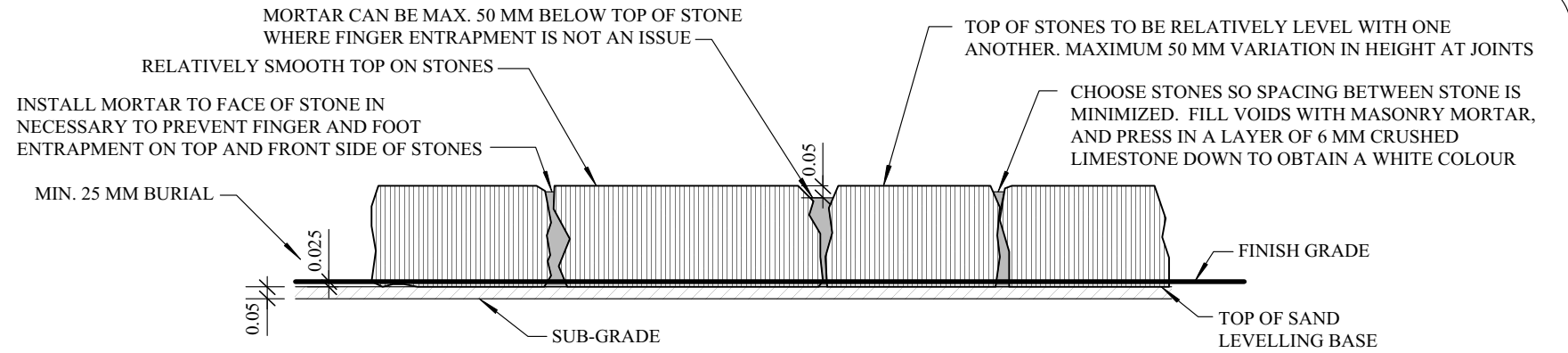


2 LIMESTONE BLOCK/SHRUB BED SECTION
L4 Scale: 1:20

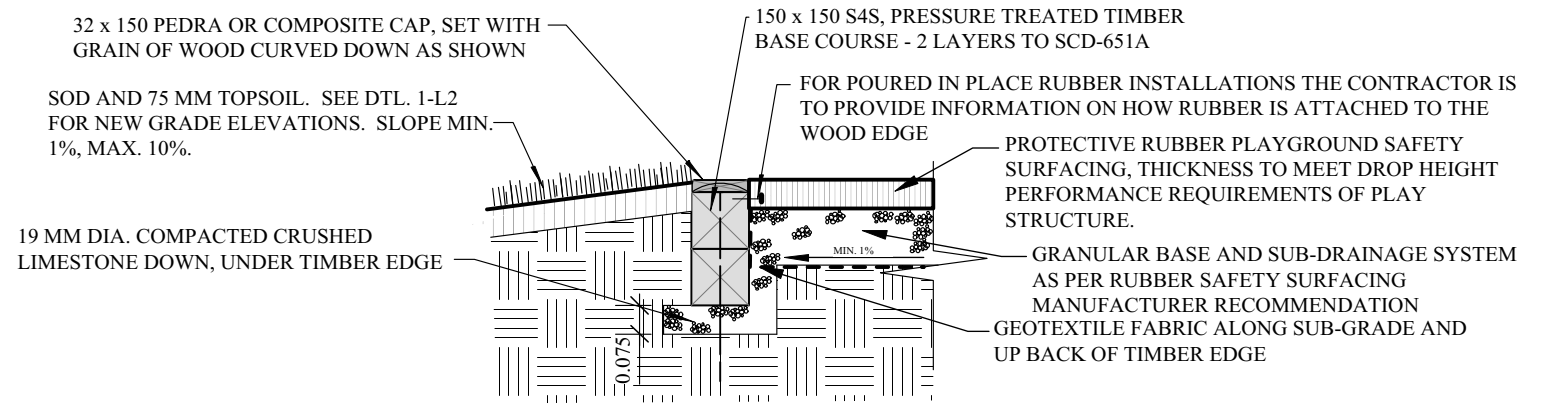


5 RAISED TIMBER EDGE SECTION
L4 Scale: 1:20

ORIGINAL SHEET: 11" x 17"

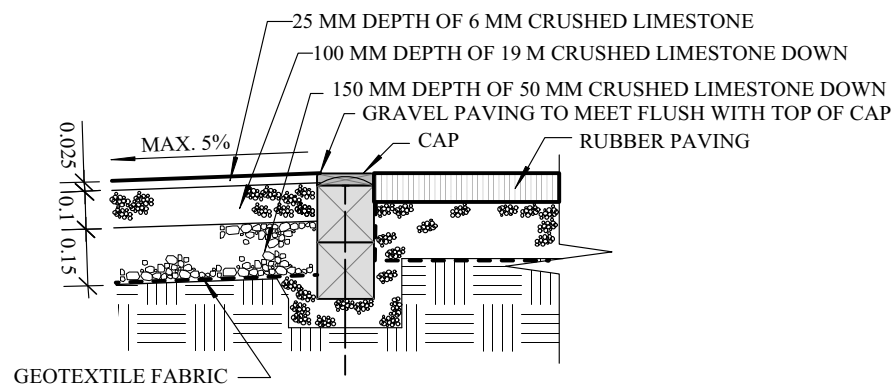


3 LIMESTONE BLOCK PLANTER WALL FRONT ELEVATION
L4 Scale: 1:30

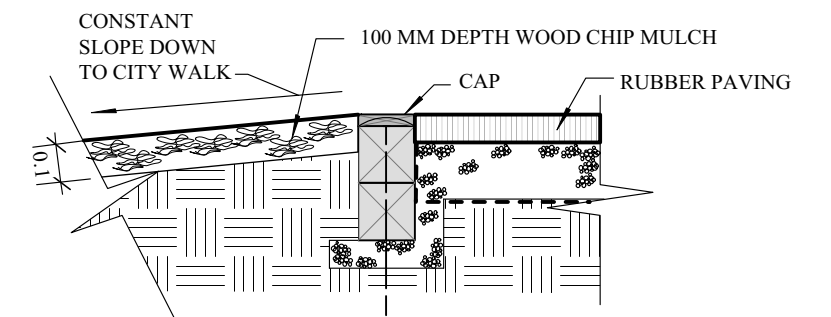


NOTE: THIS DRAWING IS SCHEMATIC ONLY. PROTECTIVE RUBBER SURFACING AND SUB-DRAINAGE SYSTEM MUST COMPLY WITH FALL HEIGHTS OF THE PLAY STRUCTURE AND THE RUBBER SURFACING MUST BE INSTALLED TO THE RUBBER MANUFACTURER'S RECOMMENDATION/SPECIFICATIONS.

4 SCHEMATIC TIMBER EDGE AND RUBBER SURFACING SECTION
L4 Scale: 1:20



6 ACCESSIBLE WALKWAY SECTION
L4 Scale: 1:20



7 TIMBER EDGE/SHRUB BED SECTION
L4 Scale: 1:20

PROJECT TITLE
**MAGNUS ELIASON
RECREATION CENTRE
PLAY EQUIPMENT IMPROVEMENTS**

DRAWING TITLE
MISCELLANEOUS DETAILS

KEN RECH LANDSCAPE ARCHITECTS INC.
1480 Wellington Crescent Winnipeg Manitoba
Email: kenrech@mymts.net R3N 0B3 Tel(204) 489-6616

NO.	REVISIONS	BY	DATE
DRAWN BY	SCALE	SHEET NO.	
K. RECH	AS NOTED	L4	
PRINT DATE	DATE		
Feb. 29, 2016	Feb. 29, 2016		
FILE NO.	REVISION		
15-07	0		