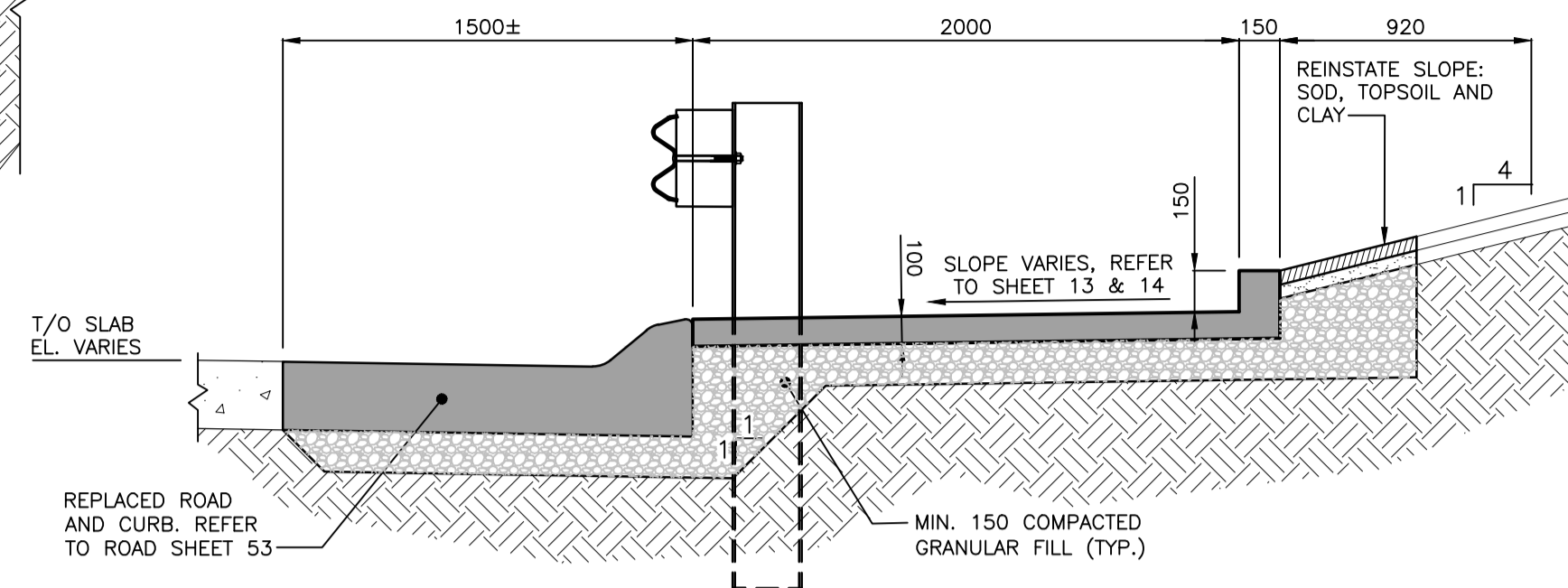
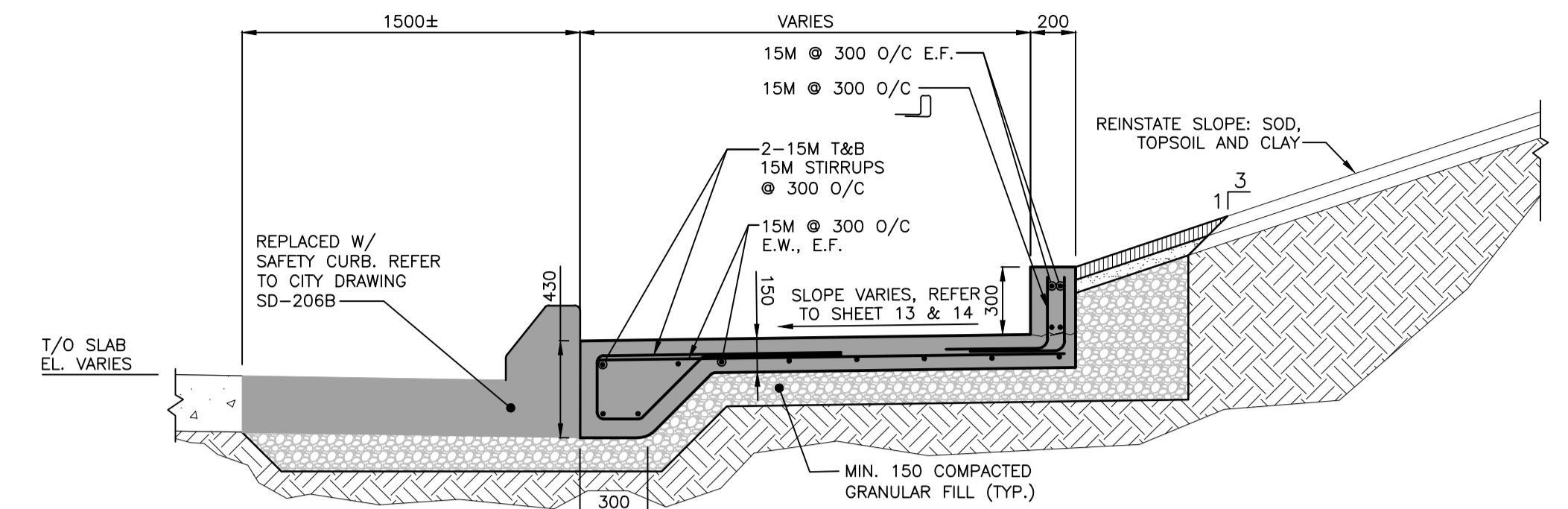


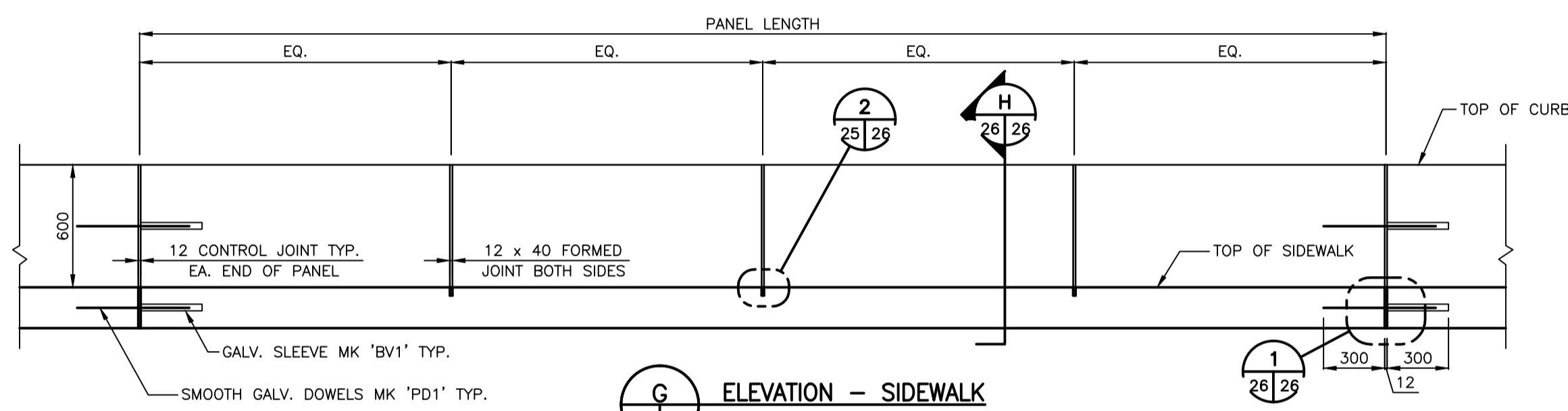
E F SECTION - REINFORCED SIDEWALK
23/26 24/26 1:25



F F SECTION - UNREINFORCED SIDEWALK
23/26 24/26 1:25

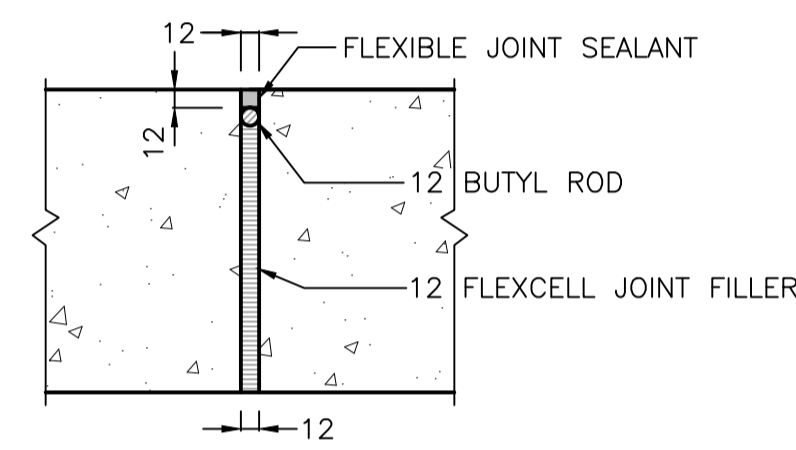


J SECTION - REINFORCED SIDEWALK
24/26 1:25

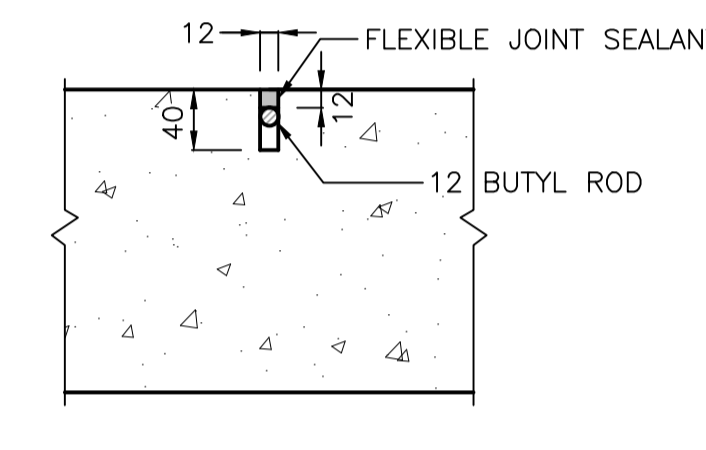


G ELEVATION - SIDEWALK
26/26 1:25

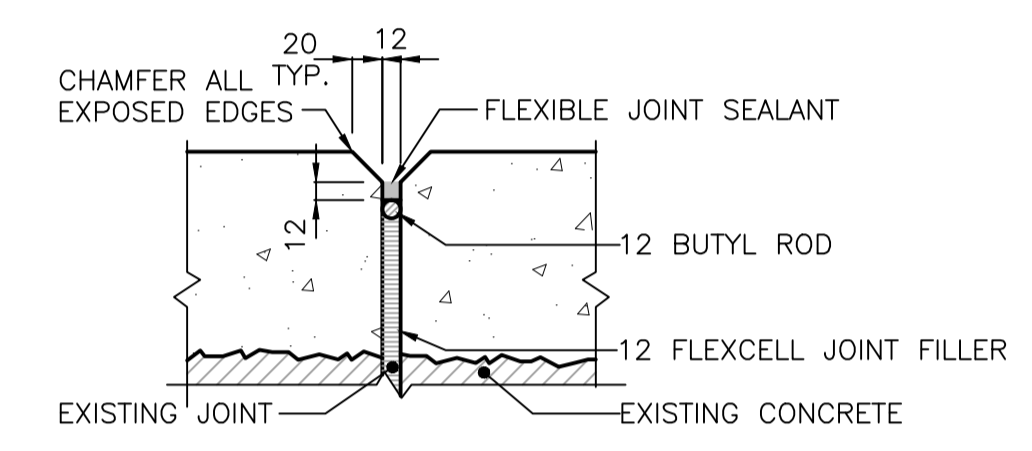
* TYPICAL REINFORCING NOT SHOWN FOR CLARITY



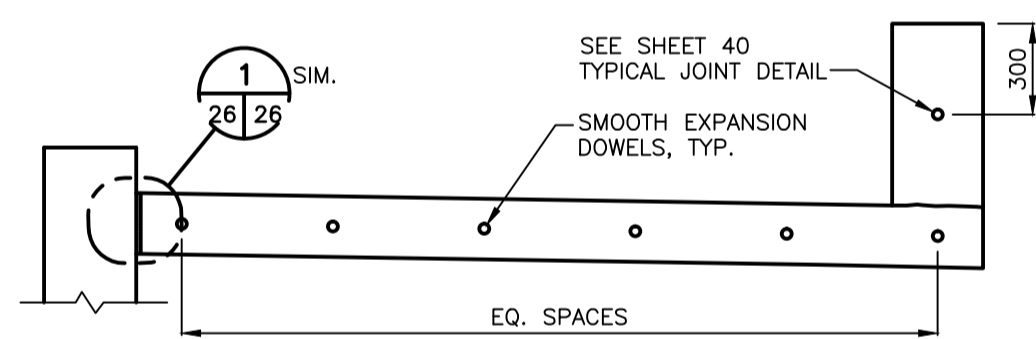
1 CONTROL JOINT DETAIL
26/26 1:5



2 FORMED JOINT DETAIL
26/26 1:5



3 RETAINING WALL CONTROL JOINT DETAIL
26/26 1:5



H SECTION - SIDEWALK
26/26 1:25

LOCATION APPROVED UNDERGROUND STRUCTURES	
SUPV. U/G STRUCTURES COMMITTEE	DATE
NOTE: LOCATION OF UNDERGROUND STRUCTURES AS SHOWN ARE BASED ON THE BEST INFORMATION AVAILABLE BUT NO GUARANTEE IS GIVEN THAT ALL EXISTING UTILITIES ARE SHOWN OR THAT THE GIVEN LOCATIONS ARE EXACT. CONFIRMATION OF EXISTENCE AND EXACT LOCATION OF ALL SERVICES MUST BE OBTAINED FROM THE INDIVIDUAL UTILITIES BEFORE PROCEEDING WITH CONSTRUCTION.	

B.M. ELEV.	
NO.	REVISIONS
0	ISSUED FOR TENDER
16.07.04	K.S.A.
DATE	2016.07.04

Stantec 500 - 311 Portage Avenue, Winnipeg MB Canada www.stantec.com	
DESIGNED BY: S.Y.	CHECKED BY: K.S.A.
DRAWN BY: M.U.	APPROVED BY: B.J.W.
HOR. SCALE: AS SHOWN	RELEASED FOR CONSTRUCTION: DATE
VERTICAL: DATE	DATE

ENGINEER'S SEAL
CONSULTANT DRAWING NO. S-110

THE CITY OF WINNIPEG
PUBLIC WORKS DEPARTMENT
ENGINEERING DIVISION

2016 REGIONAL STREET PROGRAM
ARCHIBALD STREET
UNDERPASS REHABILITATION
WEST RECONSTRUCTION SECTIONS (2 OF 2)

SHEET 26 OF 62
CAD FILE DRAWING NUMBER 06880s-104-884.dwg
CITY DRAWING NUMBER U205-16-26

V:\11371\csh\113716880\0300_drawing\0302_sheel_title\03_struct\04880s-104-884.dwg
2016/07/14 1:39 PM BJC_Coleby_Tresor