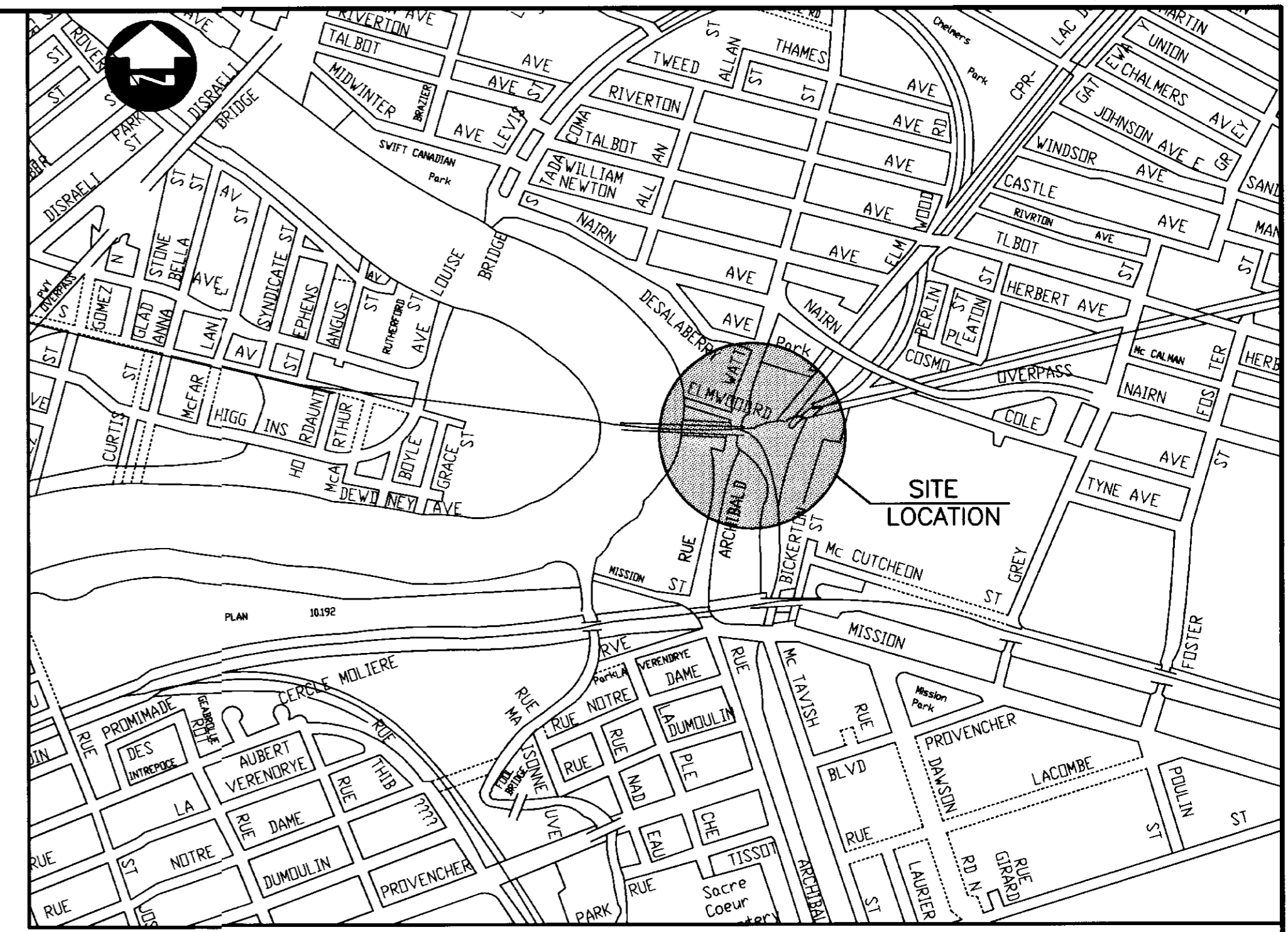
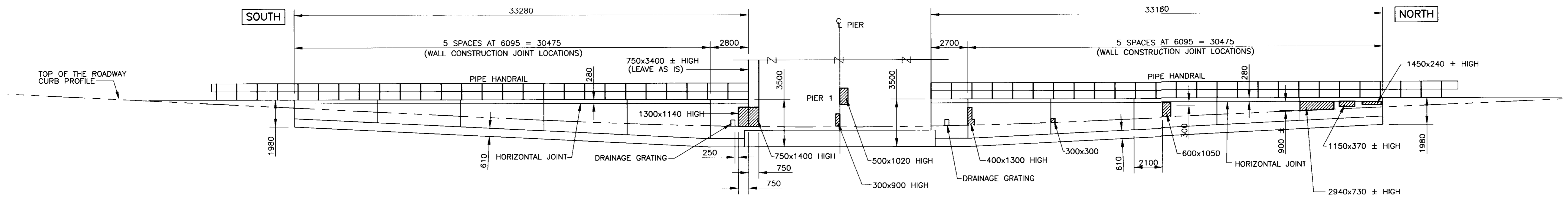


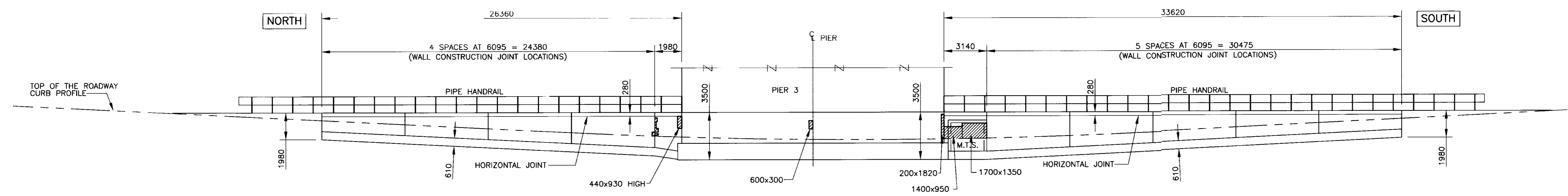
SITE PLAN
1: 300



LOCATION PLAN



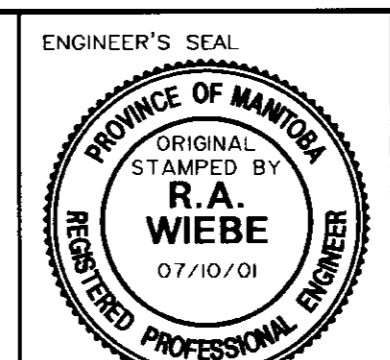
WEST SIDE RETAINING WALLS ELEVATION
1: 150 (LOOKING WEST)



EAST SIDE RETAINING WALLS ELEVATION
1: 150 (LOOKING EAST)

RECORD DRAWING
APPROVED BY: *[Signature]* DATE: _____
AS CONSTRUCTED DRAWING
ACCEPTED BY: _____ DATE: _____
B.A. NEIRINCK, P. ENG.
BRIDGE INSPECTION ENGINEER

| | |
|------------------------------|-------------------------------------|
| B.M. ELEV. | DESIGNED BY: R.A.W. |
| | DRAWN BY: N.B.G. |
| | CHECKED BY: R.A.W. |
| | APPROVED BY: |
| | SCALE: HORZ. AS SHOWN |
| | VERT. _____ |
| | DATE: JULY 2001 |
| | AUTHORIZED BY: (ORIGINAL SIGNED BY) |
| | B.A. NEIRINCK |
| | CITY BRIDGE ENGINEER |
| 1. REVISED TO RECORD DRAWING | 12/10/01 SCC |
| NO. REVISIONS | DATE BY |



THE CITY OF WINNIPEG
PUBLIC WORKS DEPARTMENT

2001 BRIDGE MAINTENANCE
RUE ARCHIBALD UNDERPASS
CPR KEEWATIN SUBDIVISION
WESTSIDE AND EASTSIDE RETAINING WALL
REHABILITATION

SITE PLAN
RETAINING WALL ELEVATIONS

CITY DRAWING NUMBER
U205-01-02-AC
SHEET 2 OF 3

CONSULTANT PROJECT NO.
01-8892-01