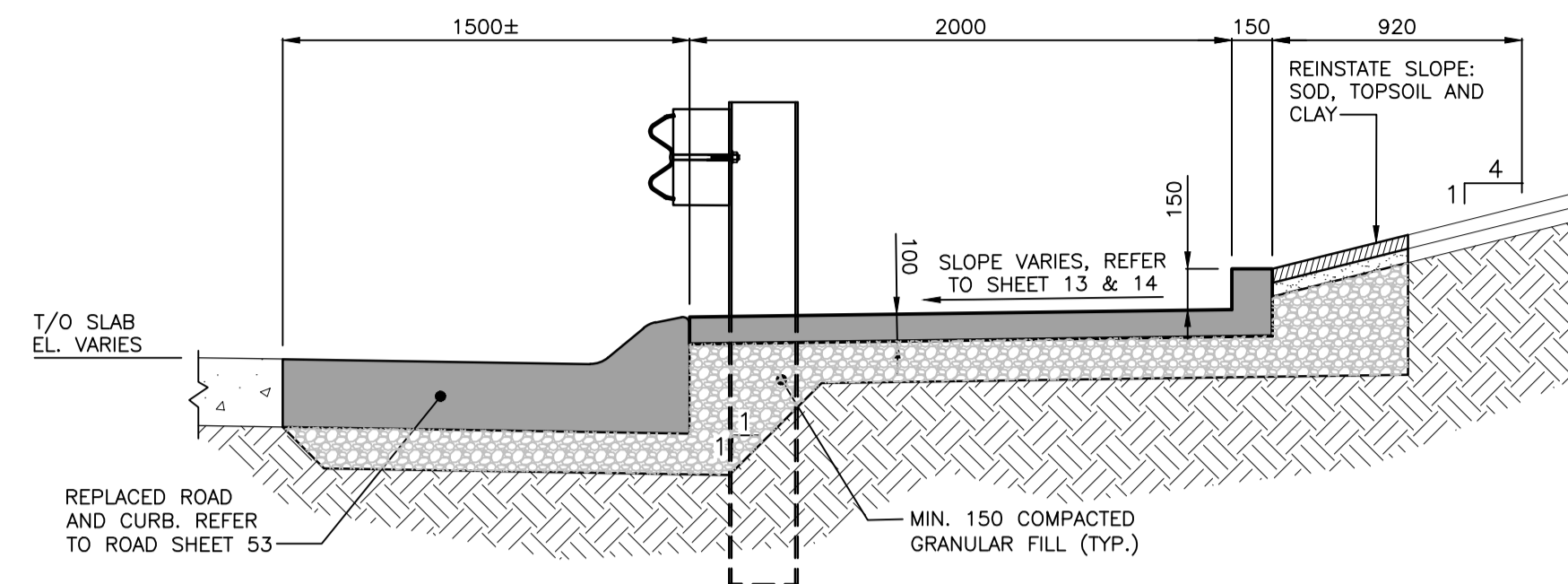
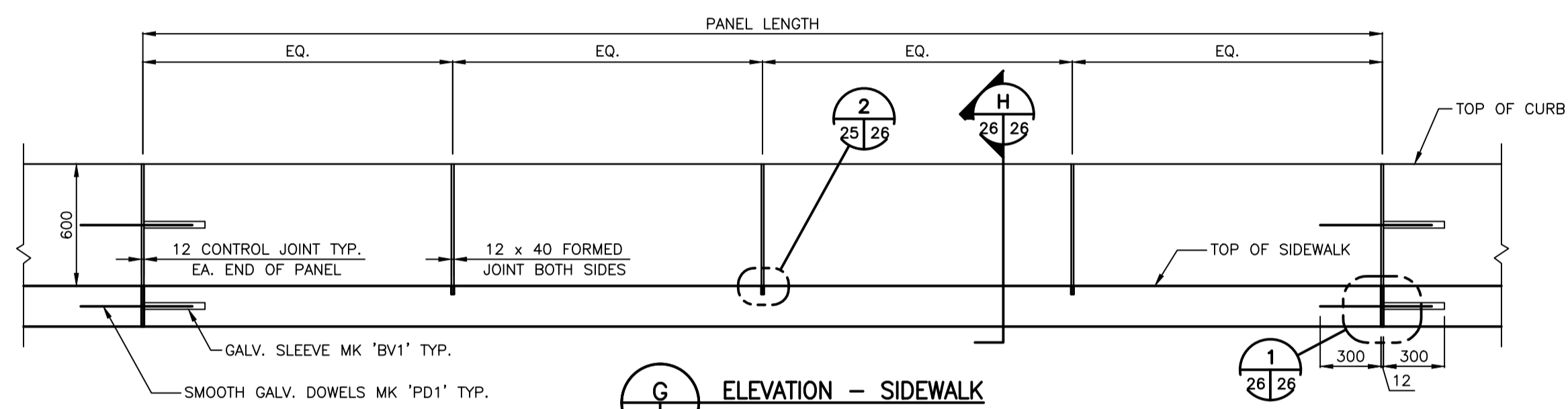


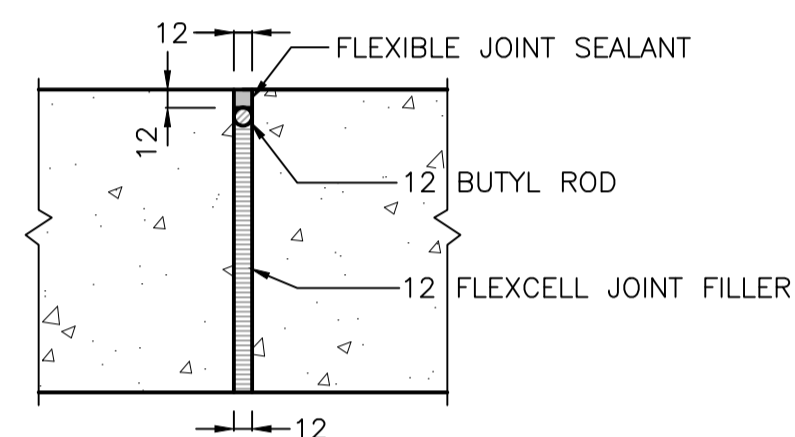
SECTION - REINFORCED SIDEWALK
 1:25



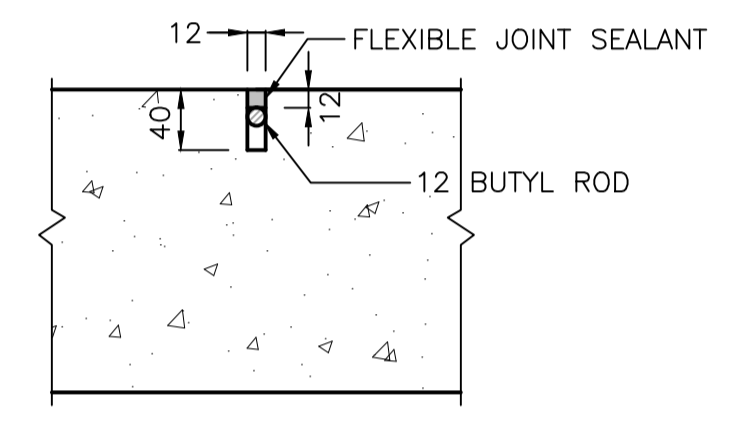
SECTION - UNREINFORCED SIDEWALK
 1:25



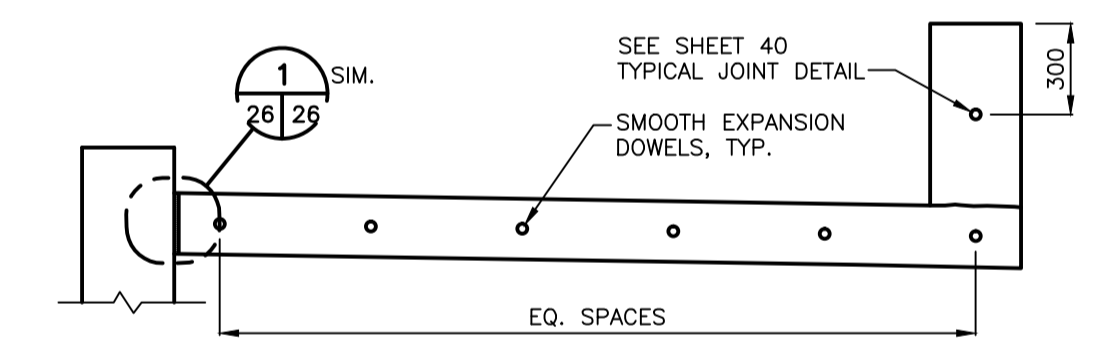
ELEVATION - SIDEWALK
 1:25



CONTROL JOINT DETAIL
 1:5



FORMED JOINT DETAIL
 1:5



SECTION - SIDEWALK
 1:25

* TYPICAL REINFORCING NOT SHOWN FOR CLARITY

LOCATION APPROVED UNDERGROUND STRUCTURES	
SUPV. U/G STRUCTURES COMMITTEE	DATE
NOTE: LOCATION OF UNDERGROUND STRUCTURES AS SHOWN ARE BASED ON THE BEST INFORMATION AVAILABLE BUT NO GUARANTEE IS GIVEN THAT ALL EXISTING UTILITIES ARE SHOWN OR THAT THE GIVEN LOCATIONS ARE EXACT. CONFIRMATION OF EXISTENCE AND EXACT LOCATION OF ALL SERVICES MUST BE OBTAINED FROM THE INDIVIDUAL UTILITIES BEFORE PROCEEDING WITH CONSTRUCTION.	

B.M. ELEV.	
NO.	REVISIONS
DATE	BY
16.07.04	K.S.A.
2016.07.04	

Stantec 500 - 311 Portage Avenue, Winnipeg MB Canada www.stantec.com	
DESIGNED BY: S.Y.	CHECKED BY: K.S.A.
DRAWN BY: M.U.	APPROVED BY: B.J.W.
HOR. SCALE: AS SHOWN	RELEASED FOR CONSTRUCTION: DATE
VERTICAL: DATE	DATE
2016.07.04	

ENGINEER'S SEAL
CONSULTANT DRAWING NO. S-110

THE CITY OF WINNIPEG
 PUBLIC WORKS DEPARTMENT
 ENGINEERING DIVISION

2016 REGIONAL STREET PROGRAM
 ARCHIBALD STREET
 UNDERPASS REHABILITATION
 WEST RECONSTRUCTION SECTIONS (2 OF 2)

SHEET 26 OF 62
 CAD FILE DRAWING NUMBER 06880s-104-884.dwg
 CITY DRAWING NUMBER U205-16-26

V:\11371\csh\11371\6880\0300_4\rev\16\0302_prel\11371\03_struct\06880s-104-884.dwg
 2016/07/05 3:51 PM By: beam@city.winnipeg.ca