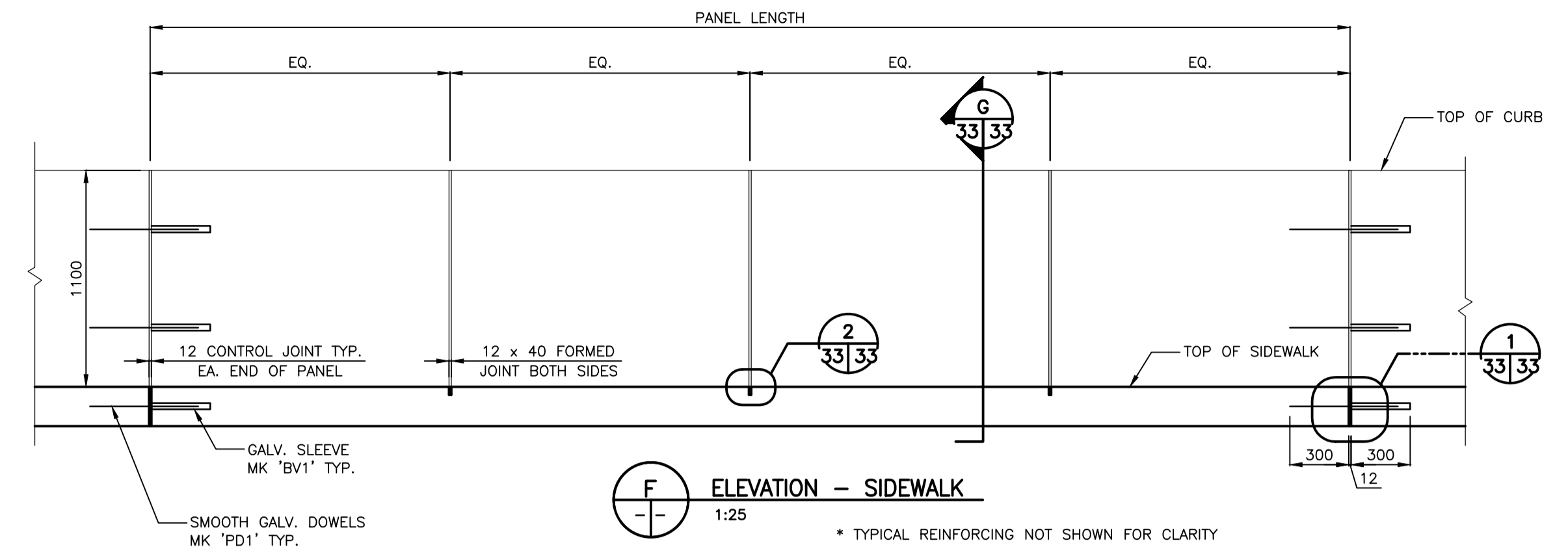
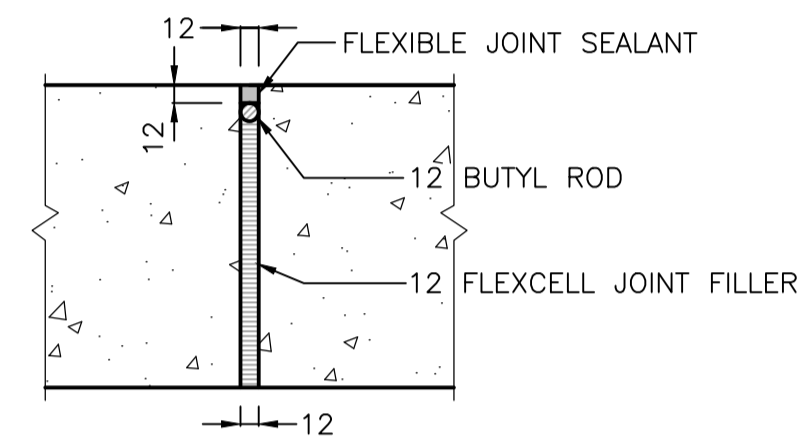


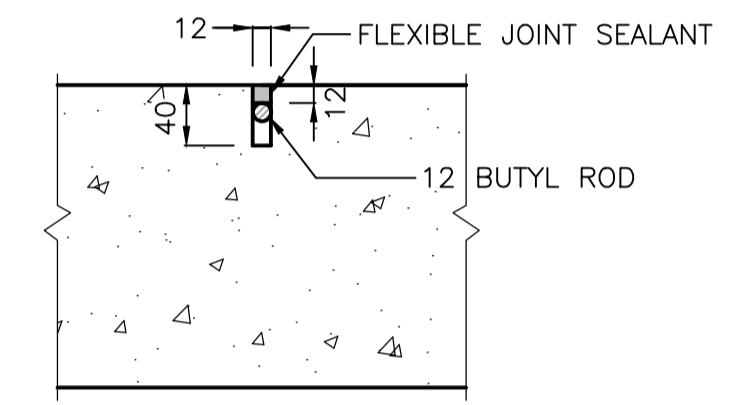
F SECTION - REINFORCED SIDEWALK
1:25



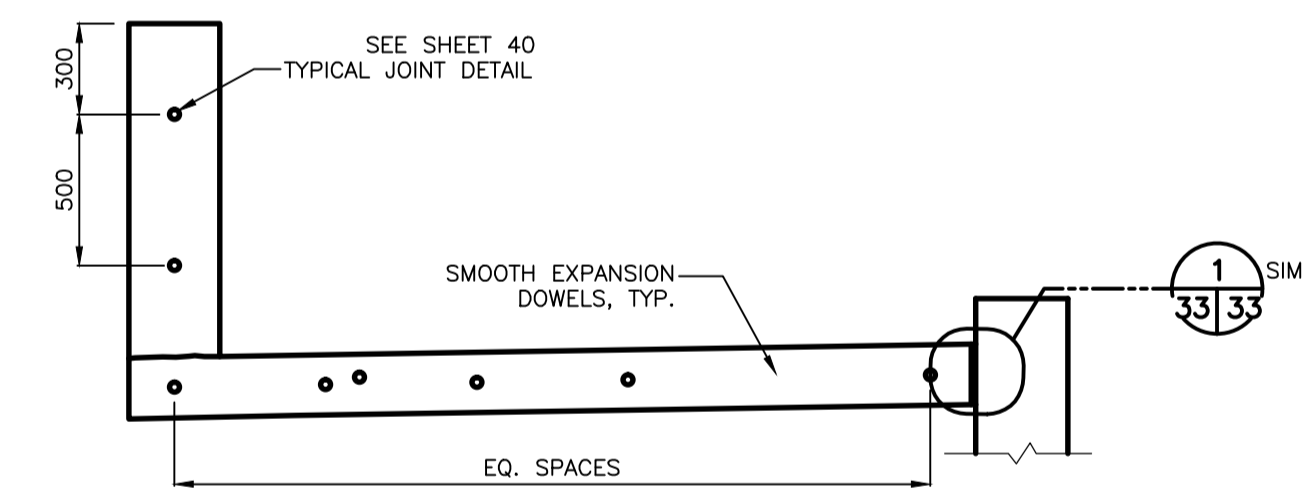
F ELEVATION - SIDEWALK
1:25 * TYPICAL REINFORCING NOT SHOWN FOR CLARITY



1 CONTROL JOINT DETAIL
1:5



2 FORMED JOINT DETAIL
1:5



G SECTION - SIDEWALK
1:25

VA:1371.ecad\w\11371680\0302_drawing\0302_sheel_03.structure\06880s-116-884.dwg
2016/07/05 4:17 PM By: beamer@city.winnipeg.ca

LOCATION APPROVED UNDERGROUND STRUCTURES

SUPV. U/G STRUCTURES COMMITTEE	DATE

NOTE:
LOCATION OF UNDERGROUND STRUCTURES AS SHOWN ARE BASED ON THE BEST INFORMATION AVAILABLE BUT NO GUARANTEE IS GIVEN THAT ALL EXISTING UTILITIES ARE SHOWN OR THAT THE GIVEN LOCATIONS ARE EXACT. CONFIRMATION OF EXISTENCE AND EXACT LOCATION OF ALL SERVICES MUST BE OBTAINED FROM THE INDIVIDUAL UTILITIES BEFORE PROCEEDING WITH CONSTRUCTION.

B.M. ELEV.	NO.	REVISIONS	DATE	BY
	0	ISSUED FOR TENDER	16.07.04	K.S.A.

Stantec
500 - 311 Portage Avenue, Winnipeg MB Canada
www.stantec.com

DESIGNED BY: S.Y.	CHECKED BY: K.S.A.
DRAWN BY: M.U.	APPROVED BY: B.J.W.
HOR. SCALE: AS SHOWN	RELEASED FOR CONSTRUCTION: DATE
VERTICAL: DATE	DATE

ENGINEER'S SEAL

CONSULTANT DRAWING NO.
S-117

THE CITY OF WINNIPEG
PUBLIC WORKS DEPARTMENT
ENGINEERING DIVISION

2016 REGIONAL STREET PROGRAM
ARCHIBALD STREET
UNDERPASS RENABILITATION
EAST RECONSTRUCTION SECTIONS (2 OF 3)

SHEET **33** OF **62**
CAD FILE DRAWING NUMBER
06880s-116-884.dwg
CITY DRAWING NUMBER
U205-16-33