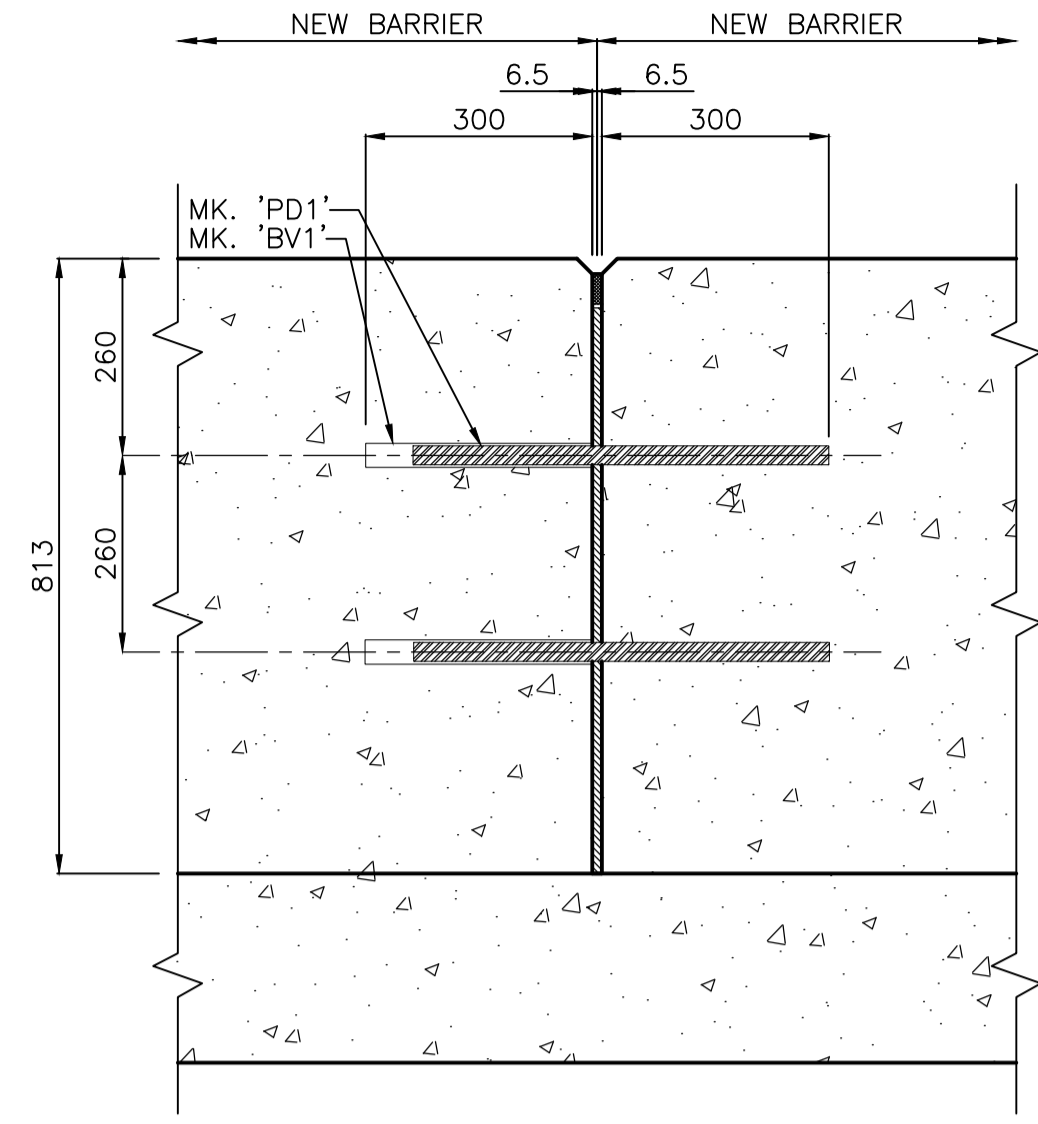
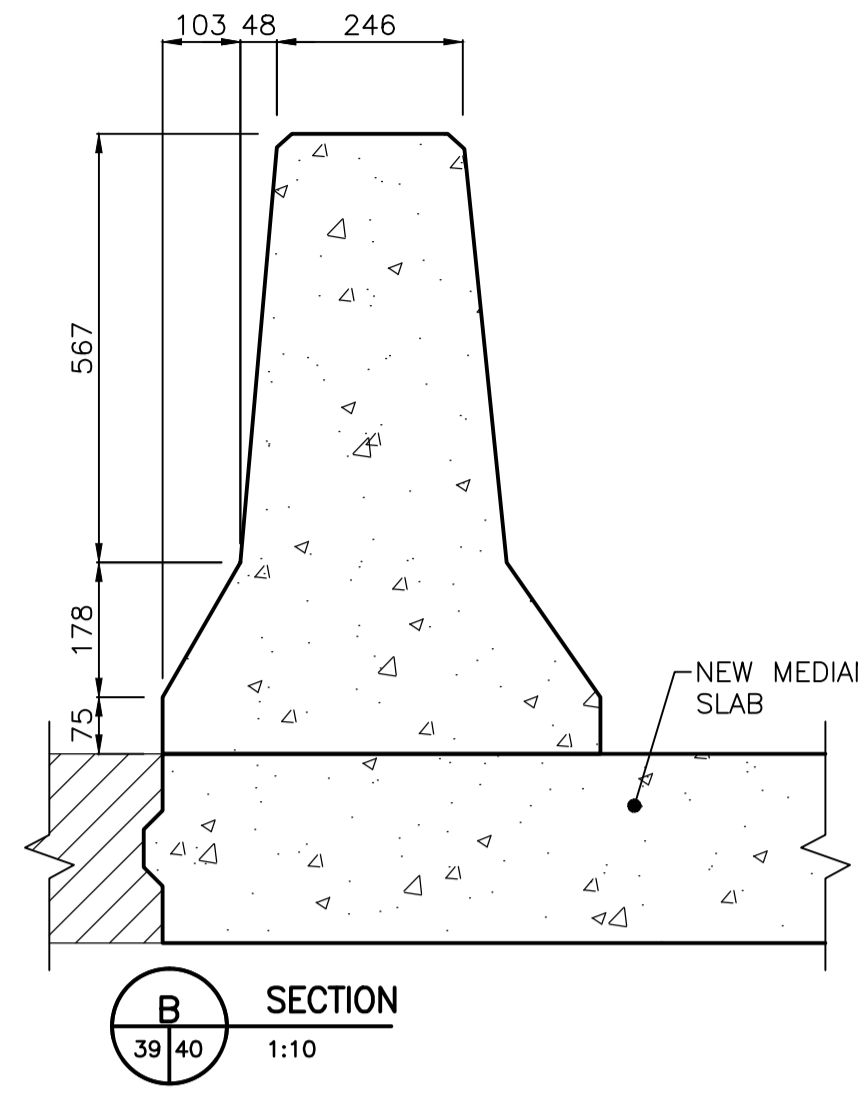


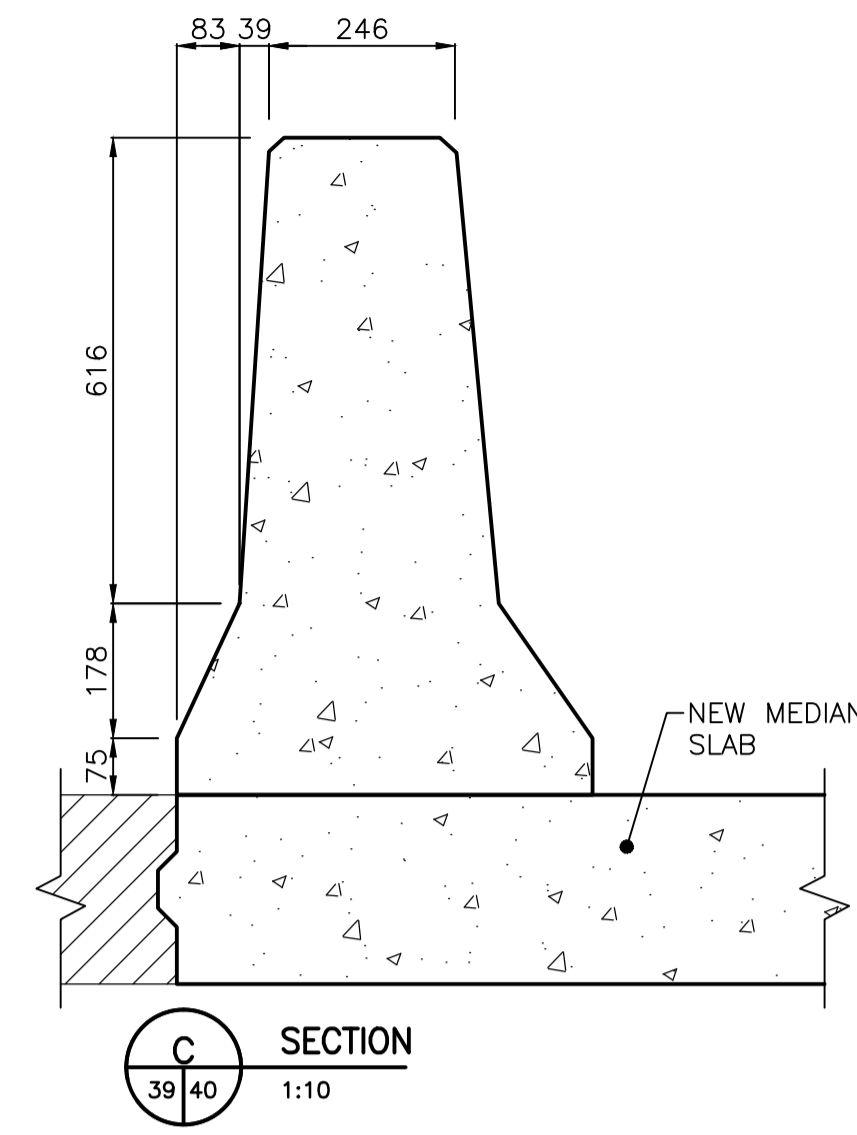
TYPICAL TRAFFIC BARRIER
1:10



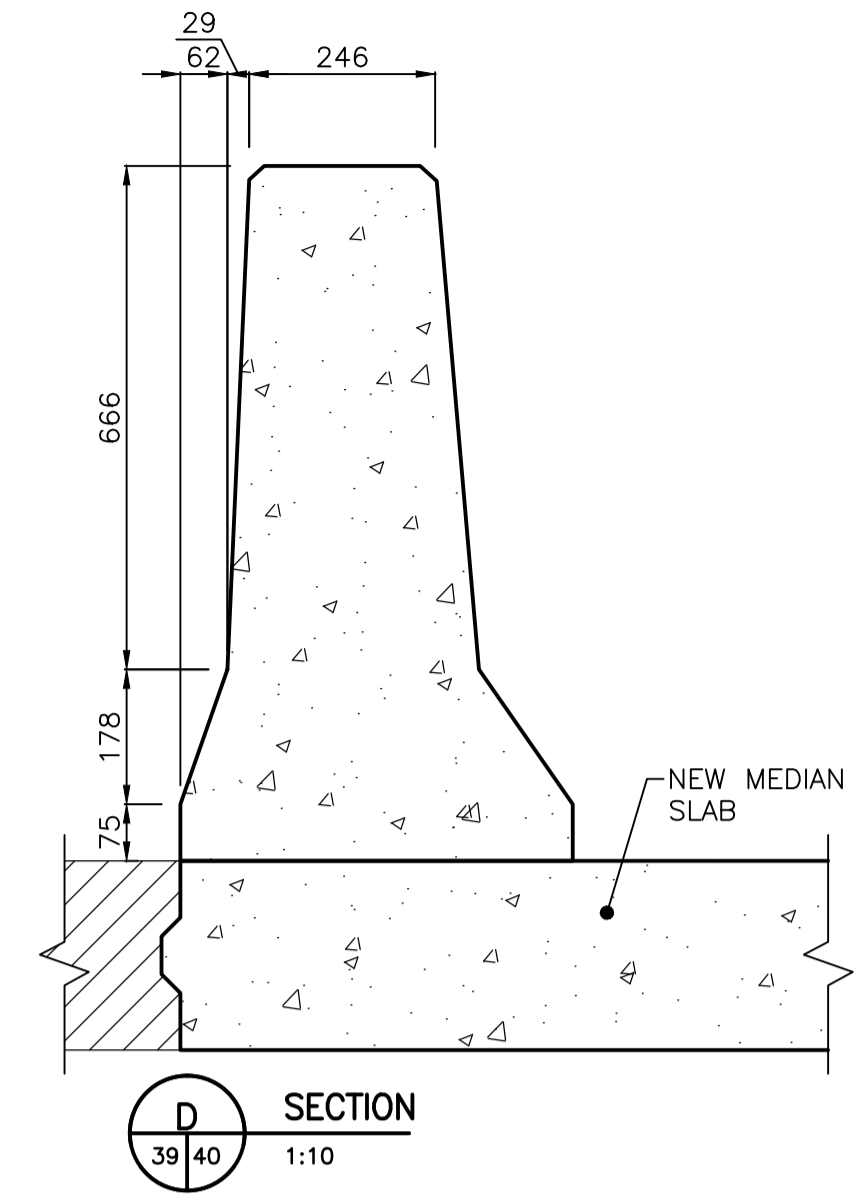
ELEVATION
TYPICAL TRAFFIC BARRIER JOINT
1:10



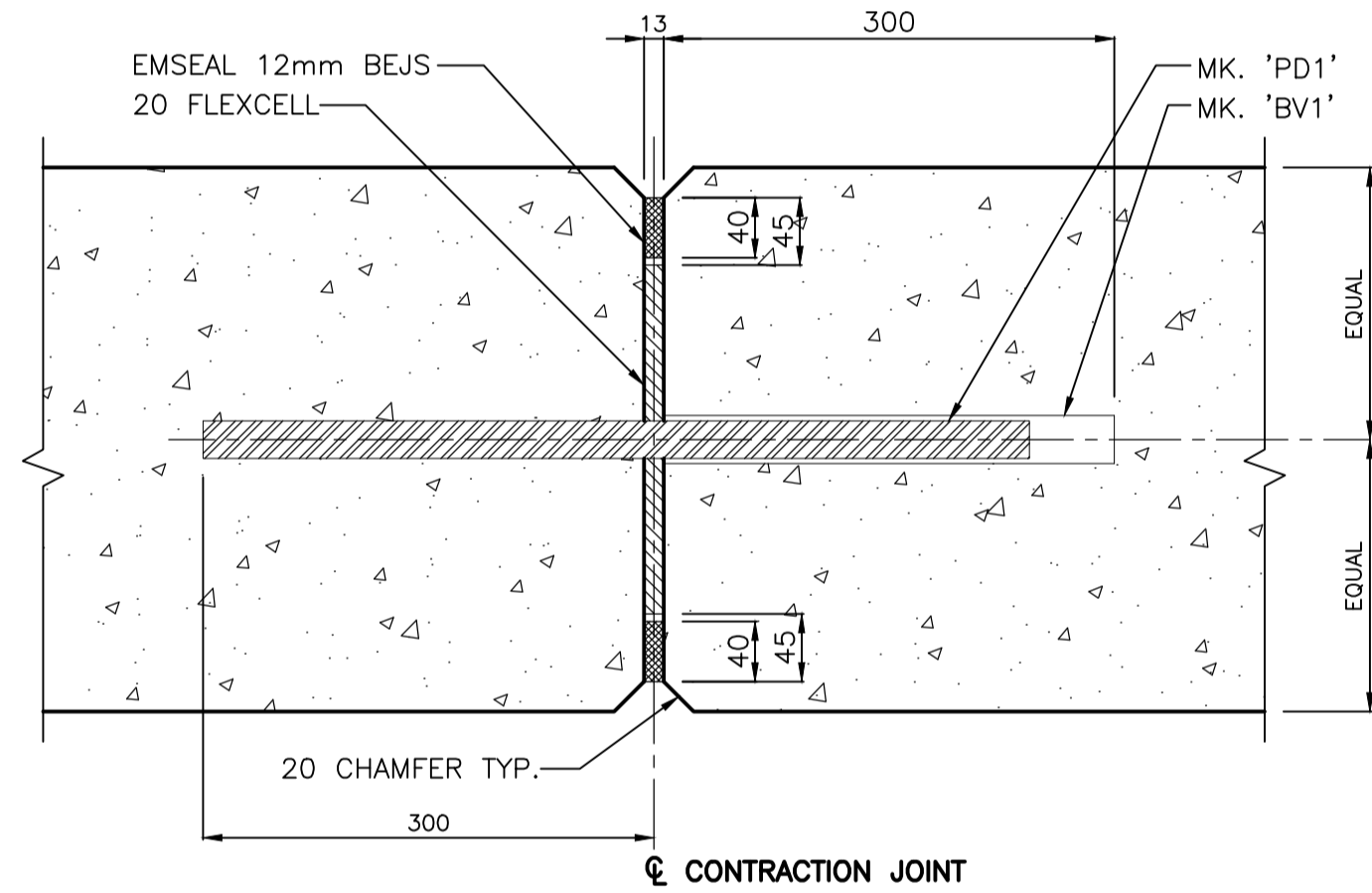
SECTION B
39/40 1:10



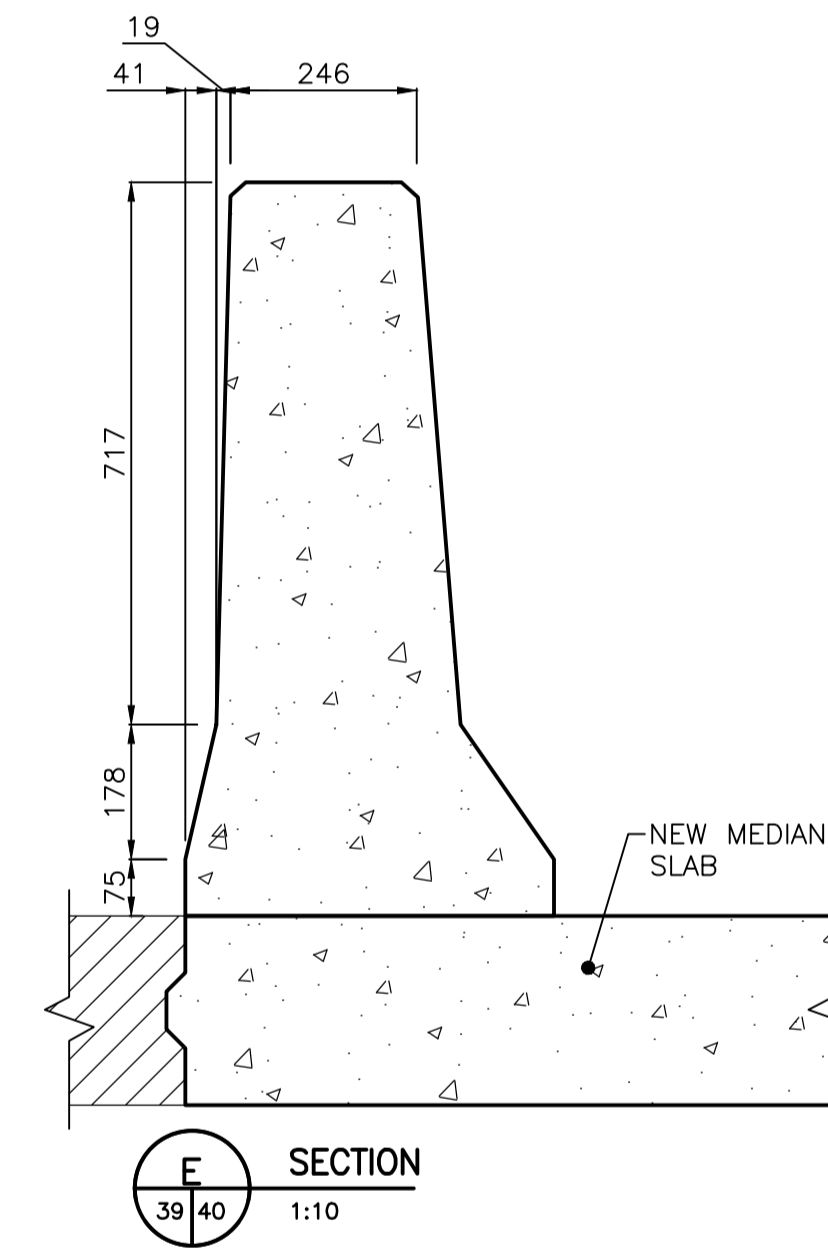
SECTION C
39/40 1:10



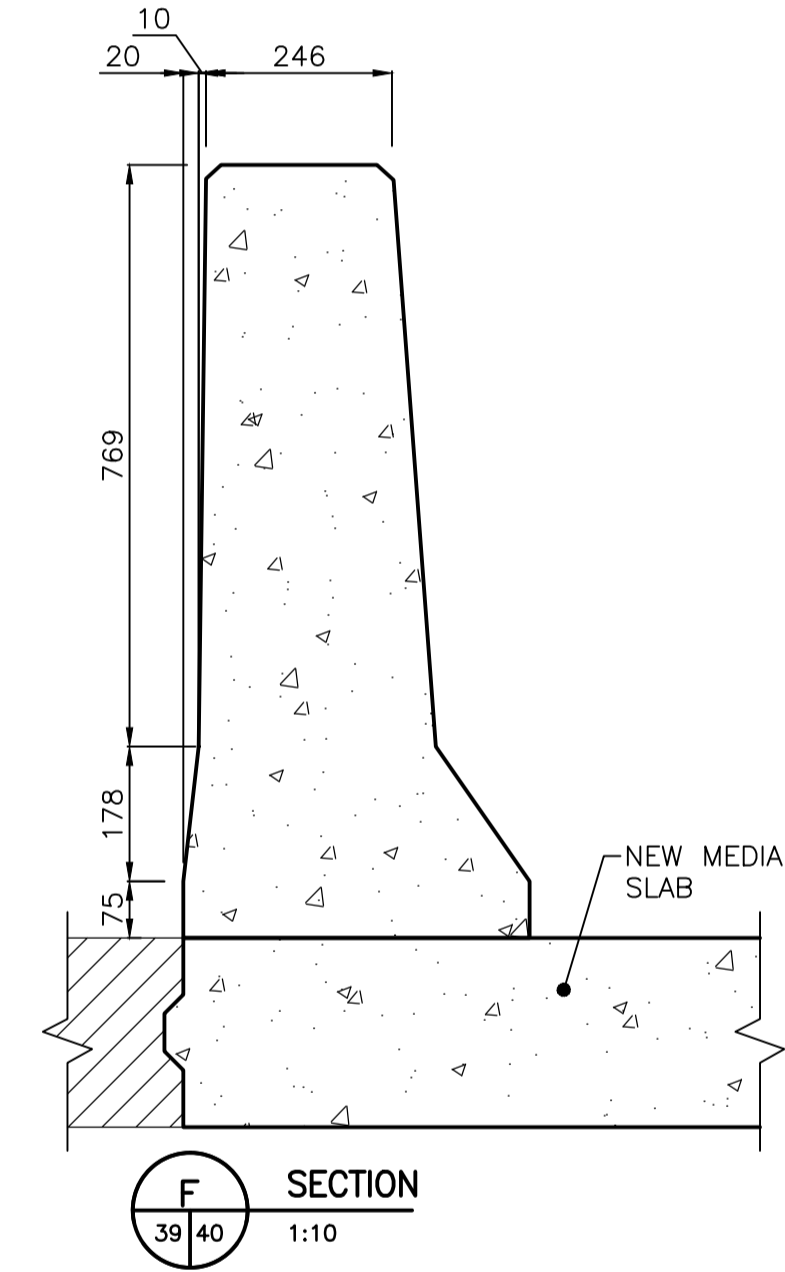
SECTION D
39/40 1:10



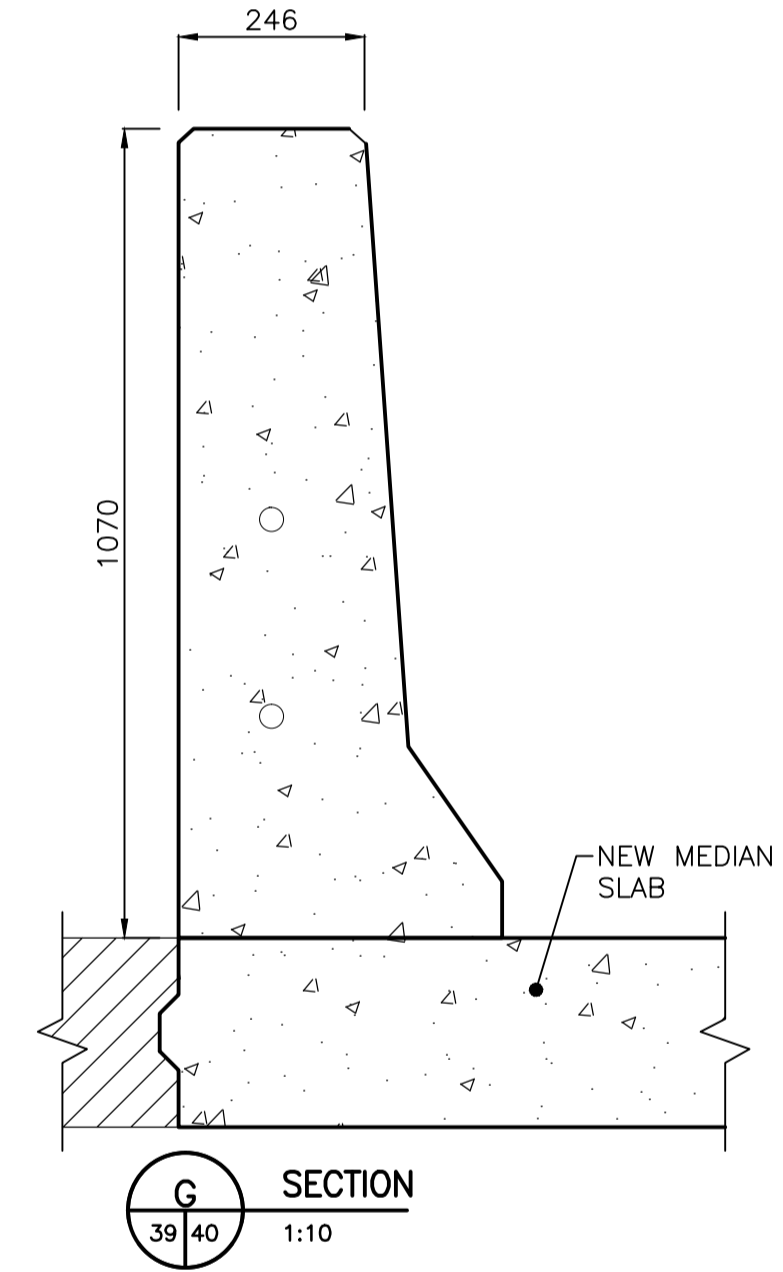
TYPICAL JOINT
A
40/40 1:5



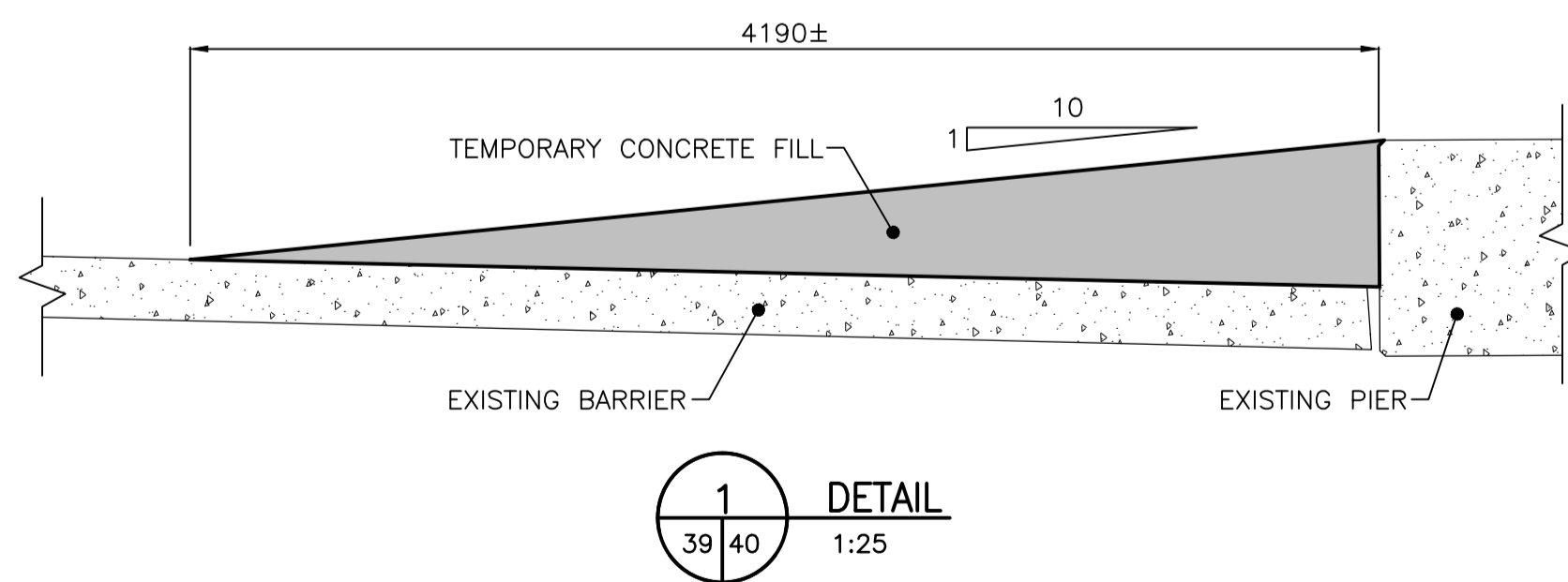
SECTION E
39/40 1:10



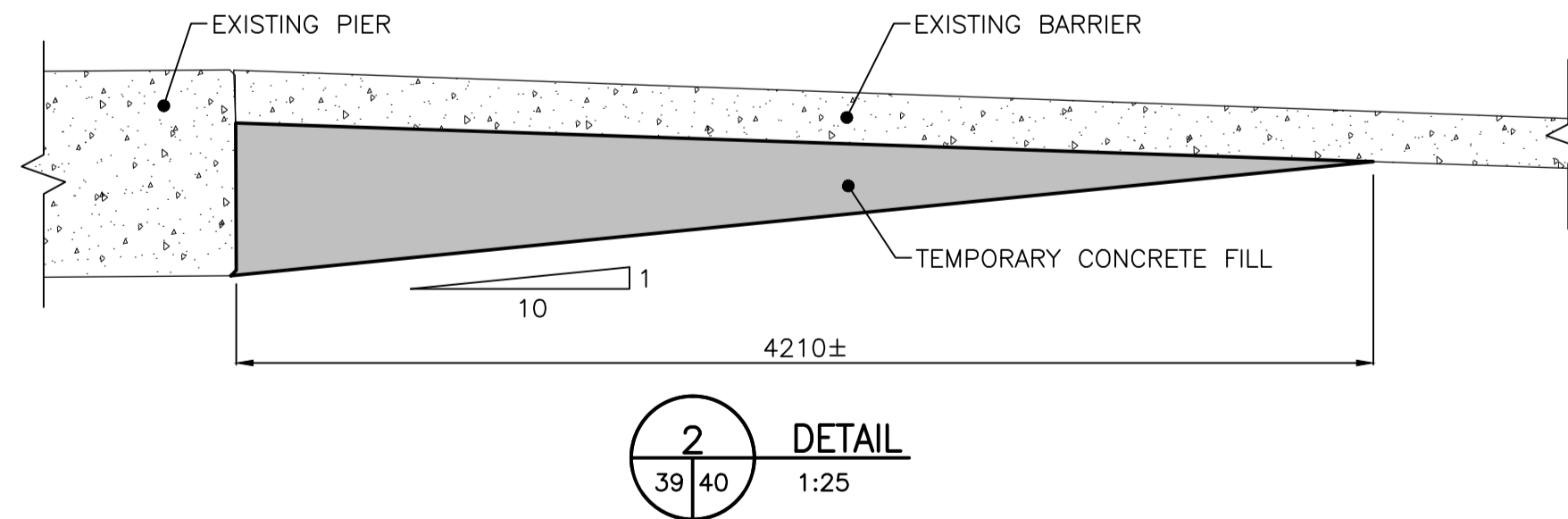
SECTION F
39/40 1:10



SECTION G
39/40 1:10



DETAIL 1
39/40 1:25



DETAIL 2
39/40 1:25

LOCATION APPROVED UNDERGROUND STRUCTURES

SUPV. U/G STRUCTURES COMMITTEE DATE

NOTE:
LOCATION OF UNDERGROUND STRUCTURES AS SHOWN ARE BASED ON THE BEST INFORMATION AVAILABLE BUT NO GUARANTEE IS GIVEN THAT ALL EXISTING UTILITIES ARE SHOWN OR THAT THE GIVEN LOCATIONS ARE EXACT. CONFIRMATION OF EXISTENCE AND EXACT LOCATION OF ALL SERVICES MUST BE OBTAINED FROM THE INDIVIDUAL UTILITIES BEFORE PROCEEDING WITH CONSTRUCTION.

NO.	REVISIONS	DATE	BY
0	ISSUED FOR TENDER	16.07.04	K.S.A.

DESIGNED BY: S.Y.		CHECKED BY: K.A.	
DRAWN BY: V.F.		APPROVED BY: B.W.	
HOR. SCALE: 1:750		RELEASED FOR CONSTRUCTION:	
VERTICAL:		DATE: 2016.02.19	

ENGINEER'S SEAL
CONSULTANT DRAWING NO. S-124

THE CITY OF WINNIPEG
PUBLIC WORKS DEPARTMENT
ENGINEERING DIVISION

2016 REGIONAL STREET PROGRAM
ARCHIBALD STREET
UNDERPASS REHABILITATION
MEDIAN SLAB AND TRAFFIC BARRIER SECTIONS

SHEET 40 OF 62
CAD FILE DRAWING NUMBER 06880s-119-884.dwg
CITY DRAWING NUMBER U205-16-40