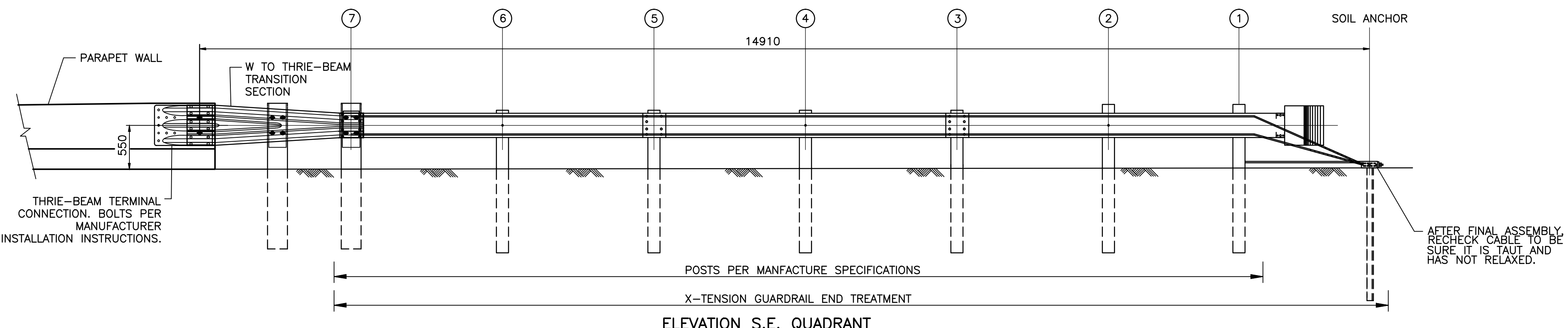
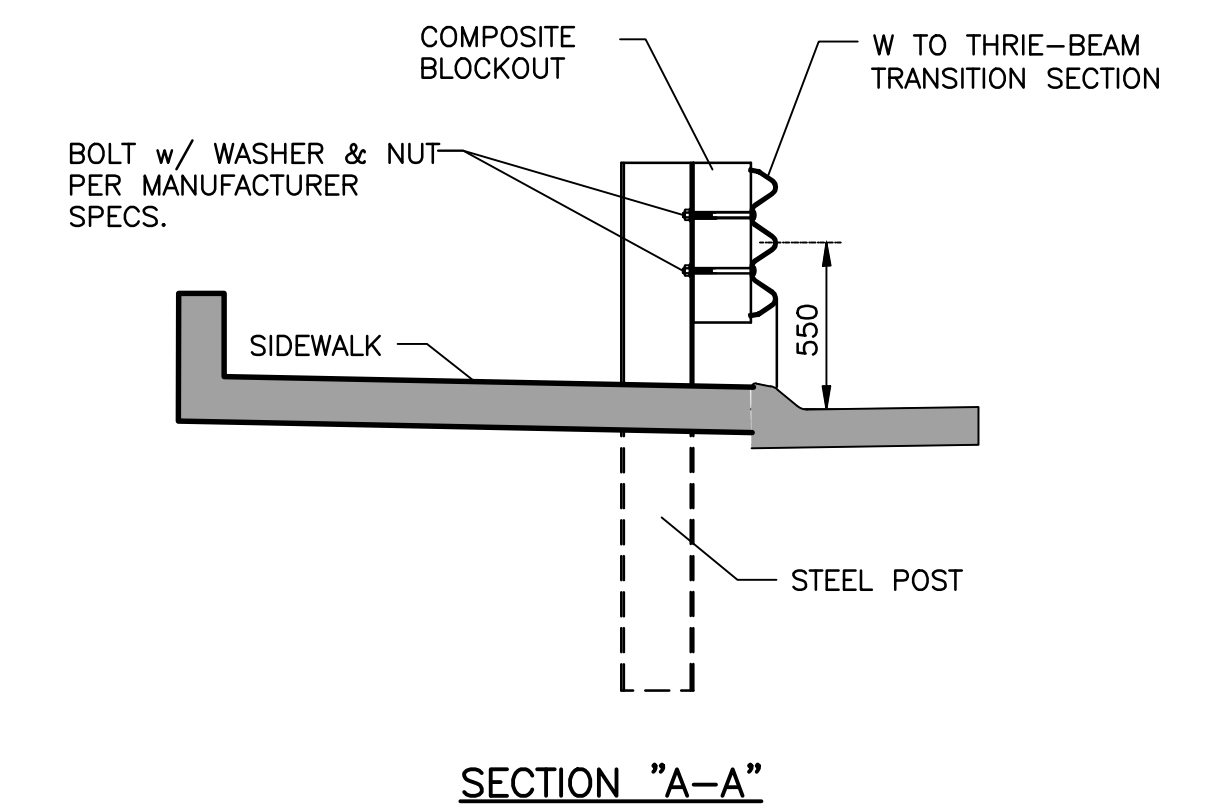
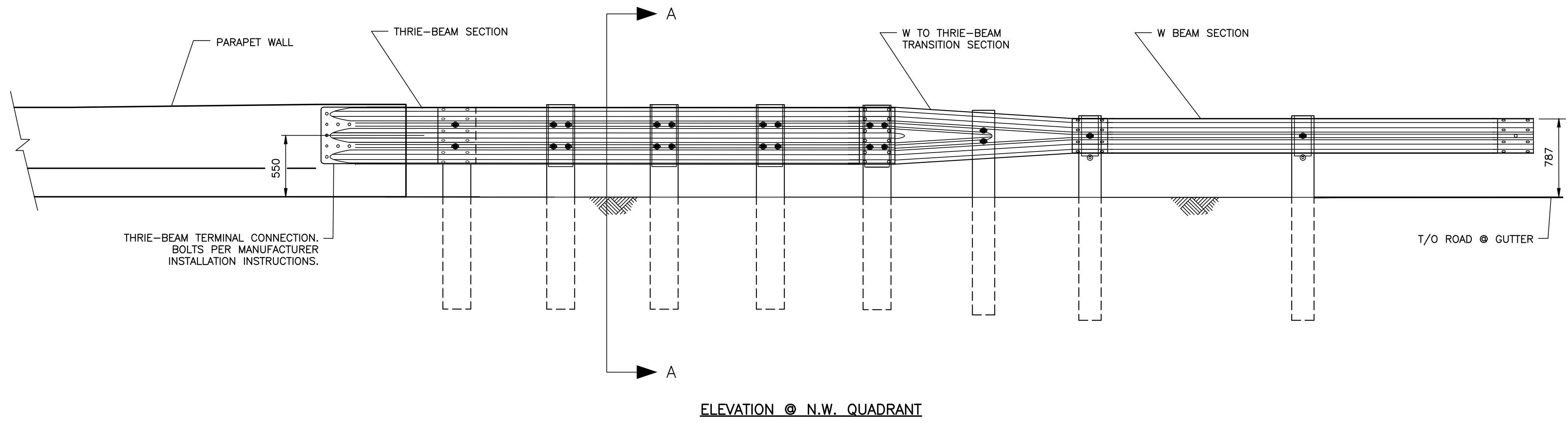


NOTES:  
1. ASSEMBLE RAIL, BLOCKOUT, BOLTS AND POSTS PER MANUFACTURER SPECIFICATIONS.



NOTES:  
1. THE 16 FLAT WASHER IS USED UNDER THE NUT BEHIND THE POST ONLY. NO WASHER IS USED AT THE RAIL.  
2. SPLICES TO BE LAPPED IN DIRECTION OF ADJACENT TRAFFIC.  
3. ALL POSTS TO BE BACKFILLED WITH GRANULAR BASE COURSE CLASS 'A' OR AS REQUIRED BY THE MANUFACTURER.  
4. CONTRACTOR TO PROPOSE BLOCKOUT IN CONCRETE SIDEWALK TO SUIT POST SIZE. SIZE MUST BE APPROVED BY CONTRACT ADMINISTRATOR.

LOCATION APPROVED UNDERGROUND STRUCTURES

SUPV. U/G STRUCTURES COMMITTEE DATE

NOTE:  
LOCATION OF UNDERGROUND STRUCTURES AS SHOWN ARE BASED ON THE BEST INFORMATION AVAILABLE BUT NO GUARANTEE IS GIVEN THAT ALL EXISTING UTILITIES ARE SHOWN OR THAT THE GIVEN LOCATIONS ARE EXACT. CONFIRMATION OF EXISTENCE AND EXACT LOCATION OF ALL SERVICES MUST BE OBTAINED FROM THE INDIVIDUAL UTILITIES BEFORE PROCEEDING WITH CONSTRUCTION.

B.M. ELEV.			
DESIGNED BY	K.S.A.	CHECKED BY	D.M.
DRAWN BY	T.B.C.	APPROVED BY	S.B.C.
HOR. SCALE:	N.T.S.	RELEASED FOR CONSTRUCTION:	
VERTICAL:		DATE	2016.07.04
NO. REVISIONS	DATE	BY	
0	16.07.04	K.S.A.	

**Stantec**  
500 - 311 Portage Avenue, Winnipeg MB Canada  
www.stantec.com

DESIGNED BY: K.S.A. CHECKED BY: D.M.  
DRAWN BY: T.B.C. APPROVED BY: S.B.C.

HOR. SCALE: N.T.S. RELEASED FOR CONSTRUCTION: DATE: 2016.07.04

ENGINEER'S SEAL

CONSULTANT DRAWING NO. S-145

**THE CITY OF WINNIPEG**  
PUBLIC WORKS DEPARTMENT  
ENGINEERING DIVISION

2016 REGIONAL STREET PROGRAM

ARCHIBALD STREET  
UNDERPASS REHABILITATION  
GUARDRAIL LAYOUT (1 OF 2)

SHEET 61 OF 62  
CAD FILE DRAWING NUMBER 06880s-145-884.dwg  
CITY DRAWING NUMBER U205-16-61

VA 1371.ecd\wpl\13716880\0302\_drawing\0302\_sheaf\_1\Rev\03\_struct\06880s-145-884.dwg  
2016/07/04 4:25 PM Bc Coley, Jrevel