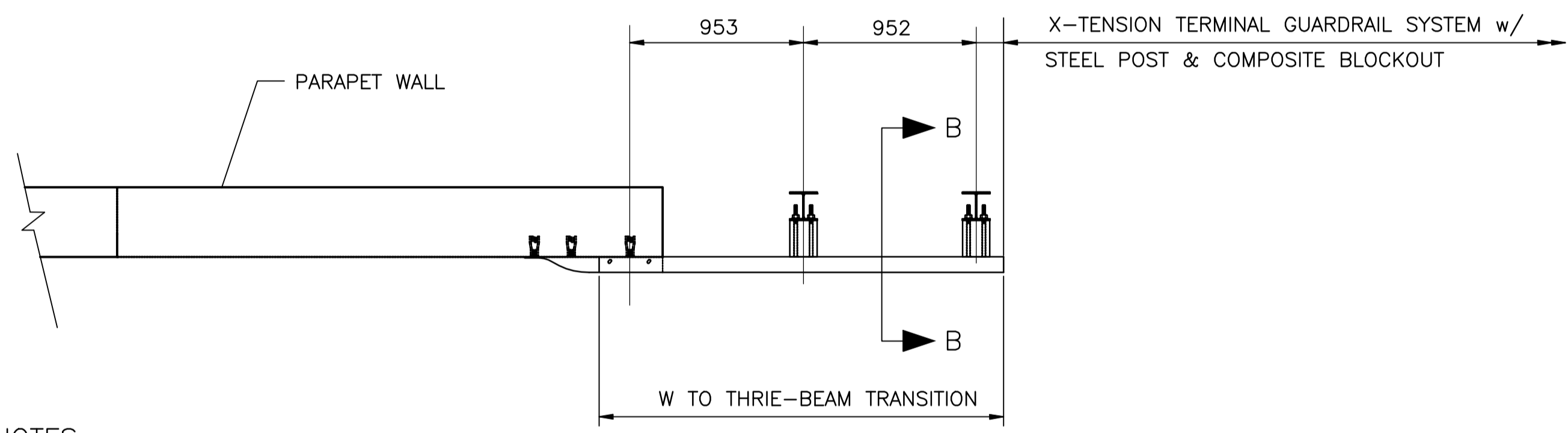
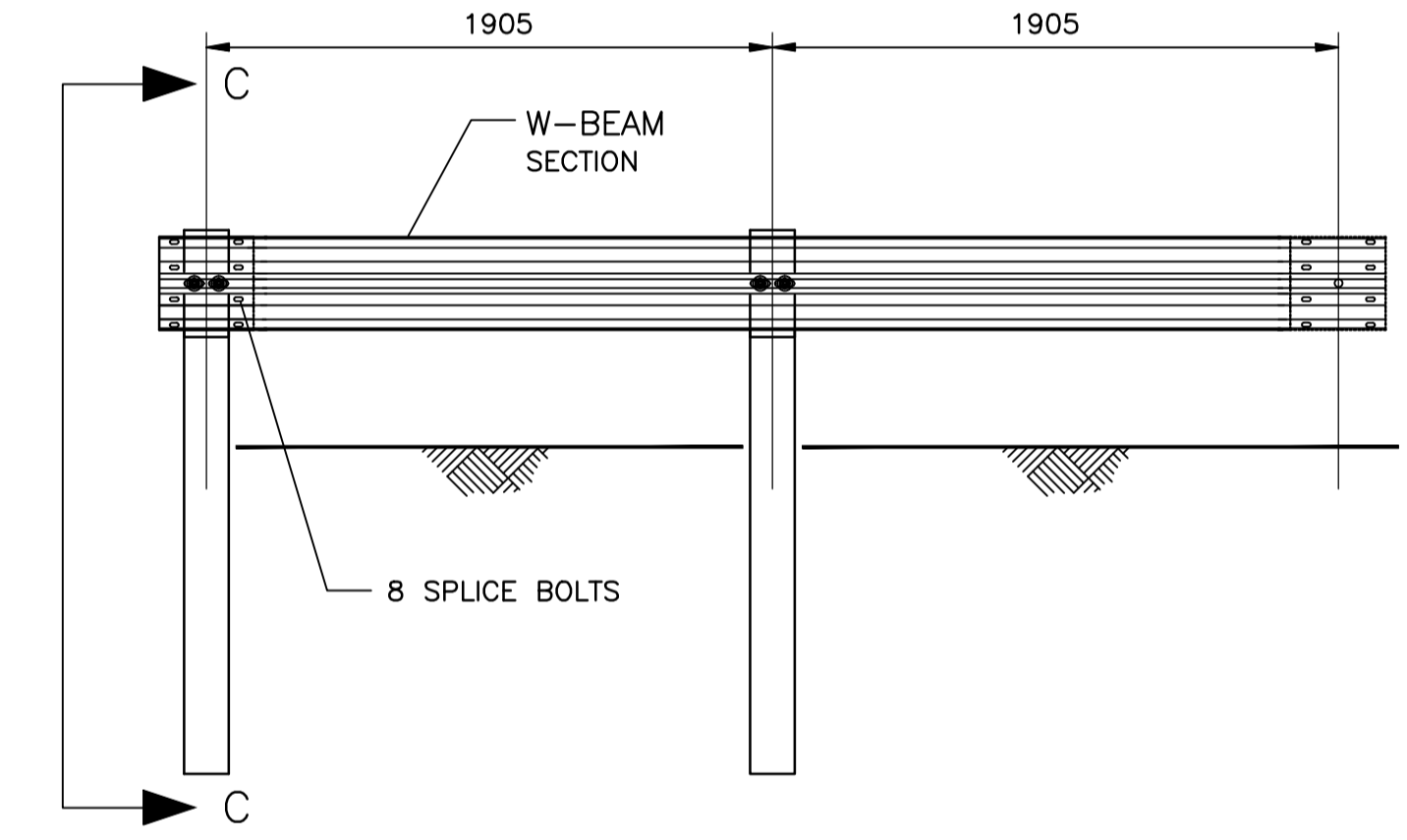


ELEVATION OF END TREATMENT

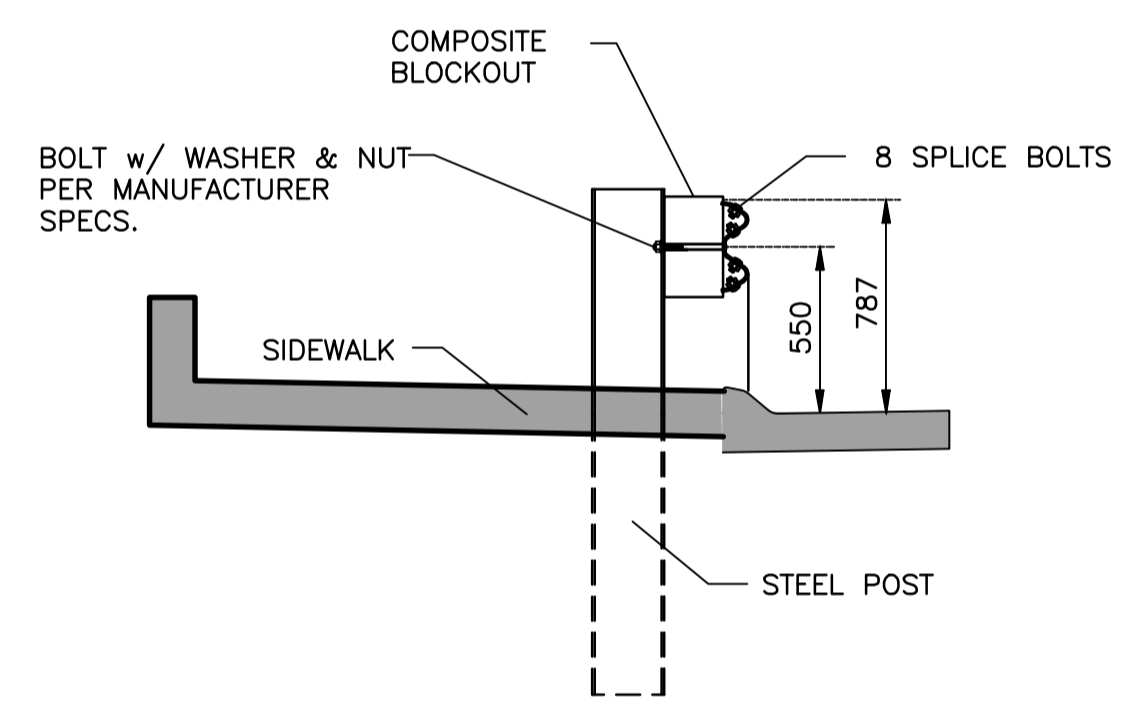
AFTER FINAL ASSEMBLY, RECHECK CABLE TO BE SURE IT IS TAUT AND HAS NOT RELAXED.



PLAN @ S.E. QUADRANT

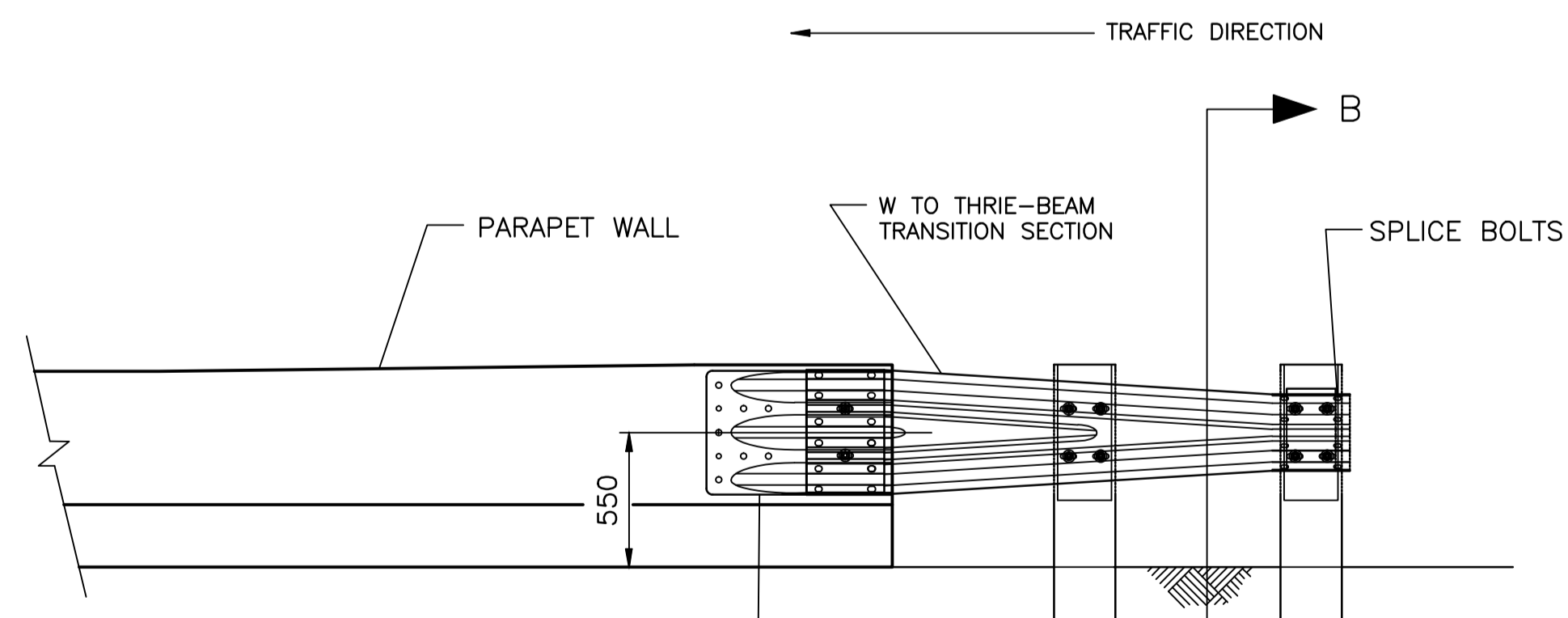


ELEVATION OF STANDARD W-BEAM SECTION

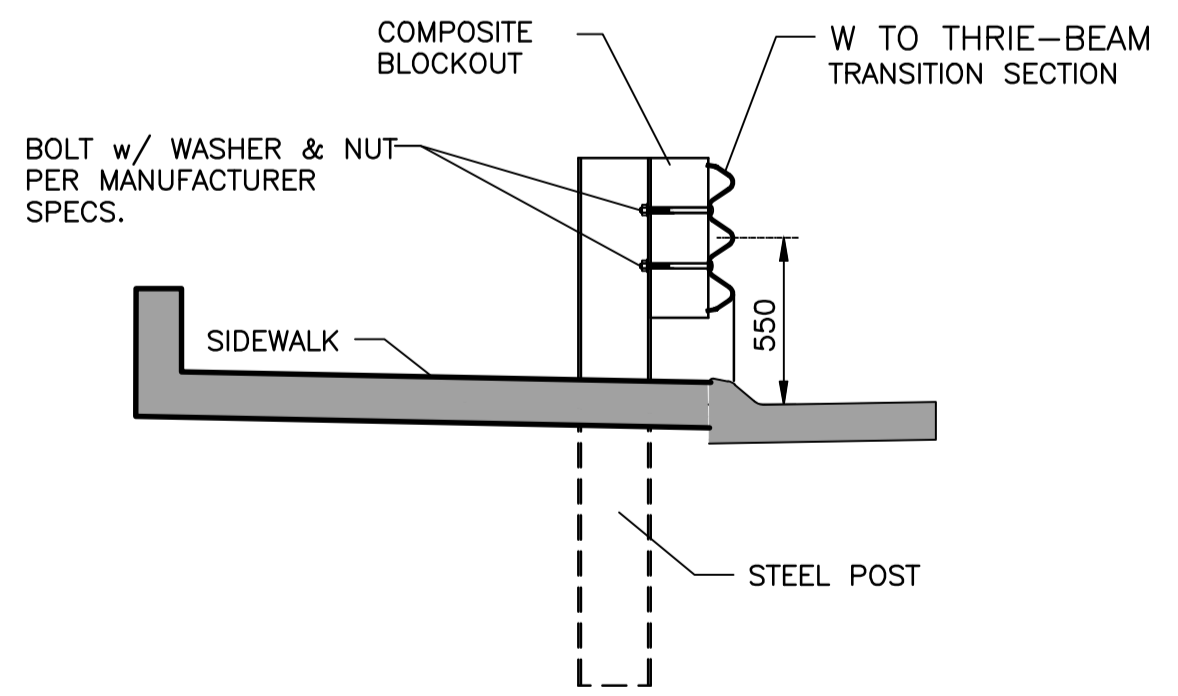


SECTION "C-C" STANDARD SECTION

NOTES:
1. ASSEMBLE RAIL, BLOCKOUT, BOLTS AND POSTS PER MANUFACTURER SPECIFICATIONS.



ELEVATION @ S.E. QUADRANT



SECTION "B-B"

THRIE-BEAM TERMINAL CONNECTION. BOLTS PER MANUFACTURER INSTALLATION INSTRUCTIONS.

LOCATION APPROVED UNDERGROUND STRUCTURES		B.M. ELEV.
SUPV. U/G STRUCTURES COMMITTEE	DATE	
NOTE: LOCATION OF UNDERGROUND STRUCTURES AS SHOWN ARE BASED ON THE BEST INFORMATION AVAILABLE BUT NO GUARANTEE IS GIVEN THAT ALL EXISTING UTILITIES ARE SHOWN OR THAT THE GIVEN LOCATIONS ARE EXACT. CONFIRMATION OF EXISTENCE AND EXACT LOCATION OF ALL SERVICES MUST BE OBTAINED FROM THE INDIVIDUAL UTILITIES BEFORE PROCEEDING WITH CONSTRUCTION.		
NO.	REVISIONS	DATE BY
0	ISSUED FOR TENDER	16.07.04 K.S.A.

Stantec 500 - 311 Portage Avenue, Winnipeg MB Canada www.stantec.com		ENGINEER'S SEAL	
DESIGNED BY	K.S.A.	CHECKED BY	D.M.
DRAWN BY	T.B.C.	APPROVED BY	S.B.C.
HOR. SCALE:	N.T.S.	RELEASED FOR CONSTRUCTION:	
VERTICAL:		DATE	2016.07.04

CONSULTANT DRAWING NO.	S-146
------------------------	-------

THE CITY OF WINNIPEG
PUBLIC WORKS DEPARTMENT
ENGINEERING DIVISION

2016 REGIONAL STREET PROGRAM

ARCHIBALD STREET
UNDERPASS REHABILITATION
GUARDRAIL LAYOUT (2 of 2)

SHEET	62	OF	62
CAD FILE DRAWING NUMBER	06880s-145-884.dwg		
CITY DRAWING NUMBER	U205-16-62		

VA:1371.ecd\w\11371680\0302_drawing\0302_shear_liber\03_struct\06880s-145-884.dwg
2016/07/04 4:25 PM Bc_Coleby_liber