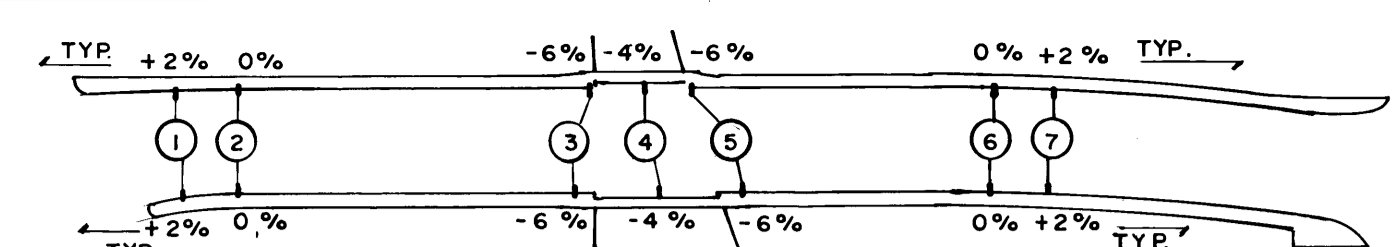
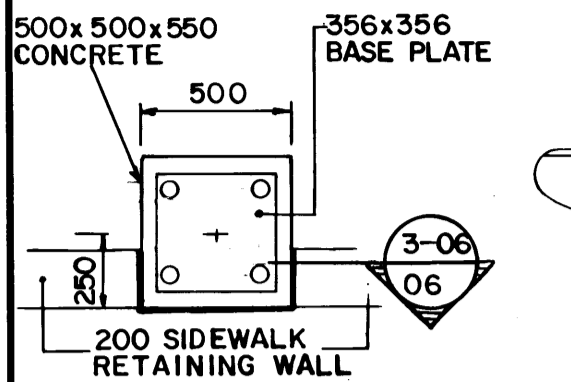
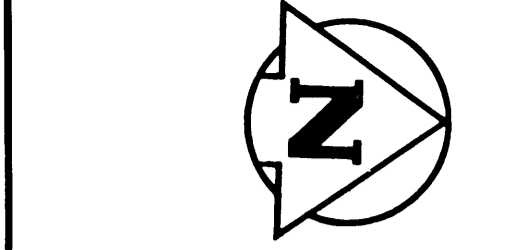


SEE DWG. No. U205-85-02 FOR GEOMETRICS

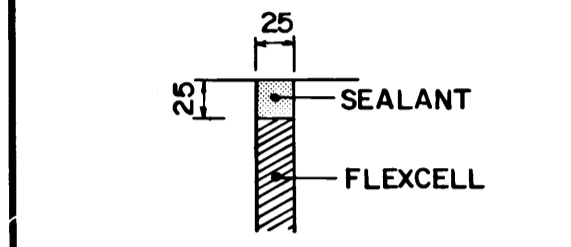
POSITIVE VALUE INDICATES SLOPE TOWARD ROADWAY



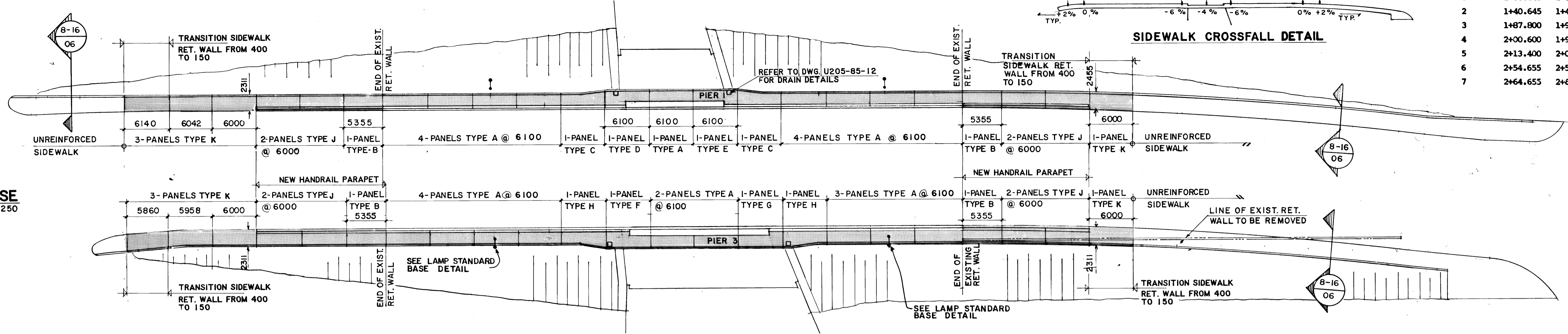
LOCATION	EAST STATION	WEST STATION
1	1+30.645	1+30.645
2	1+40.645	1+40.645
3	1+87.800	1+90.100
4	2+00.600	1+97.700
5	2+13.400	2+05.300
6	2+54.655	2+54.655
7	2+64.655	2+64.655



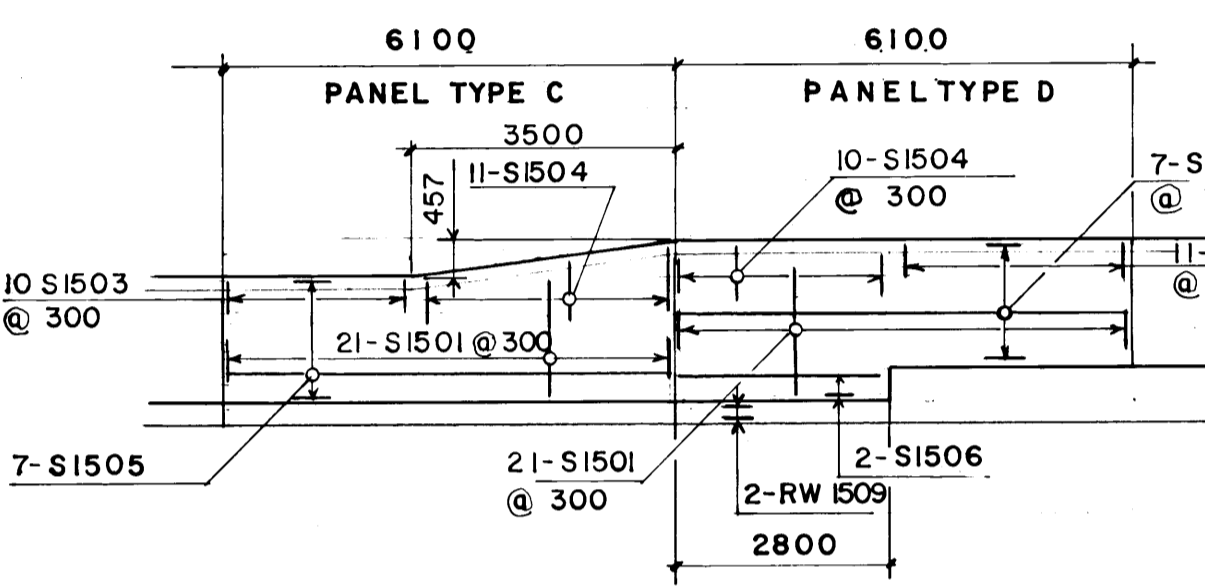
PLAN LAMP STANDARD BASE SCALE 1:250



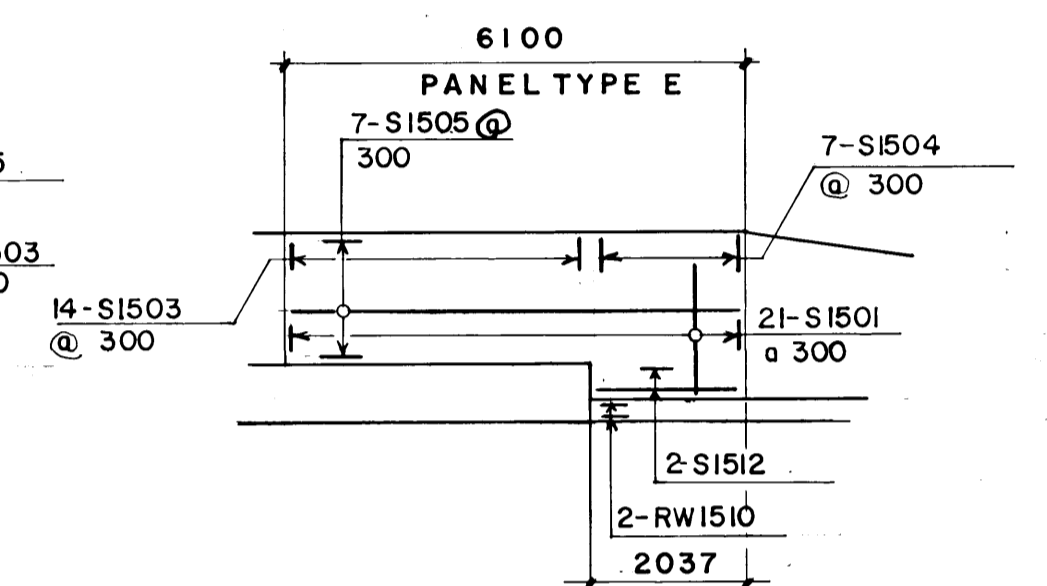
SECTION 3-06 SCALE 1:5



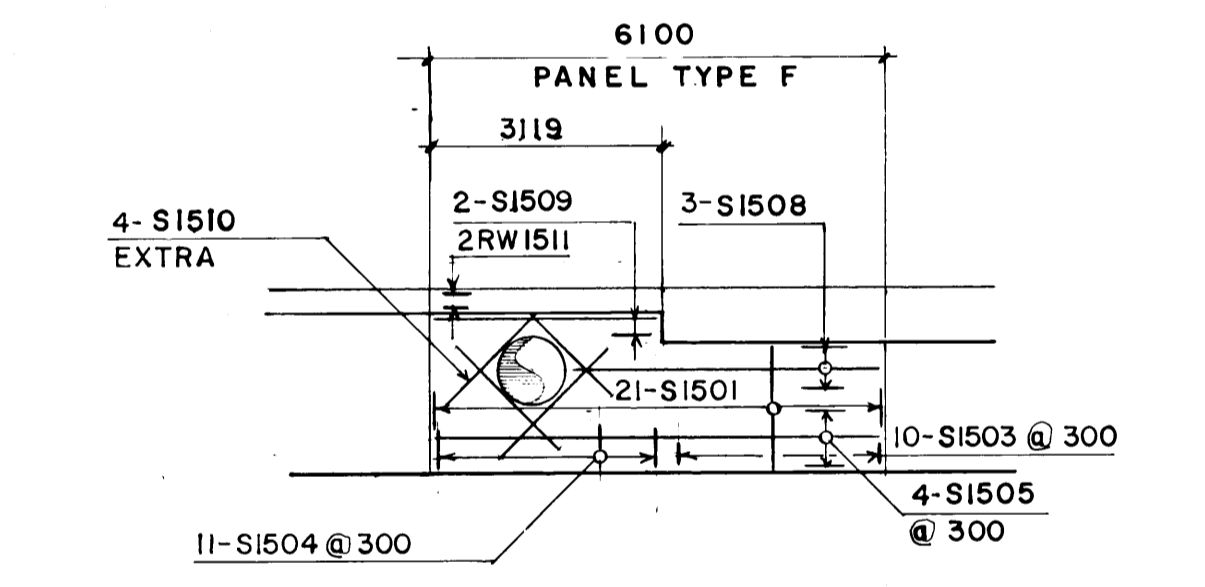
SIDEWALK LAYOUT SCALE 1:300



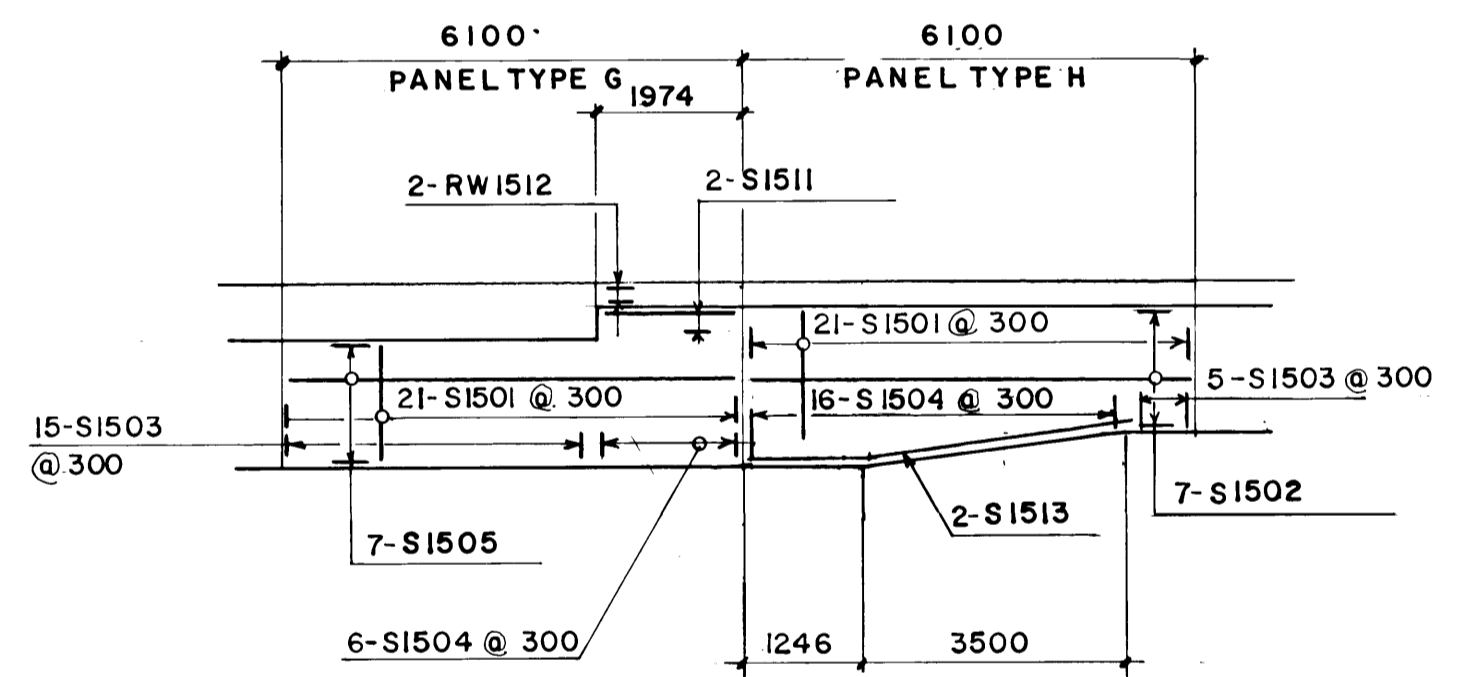
PANELS TYPE C & D



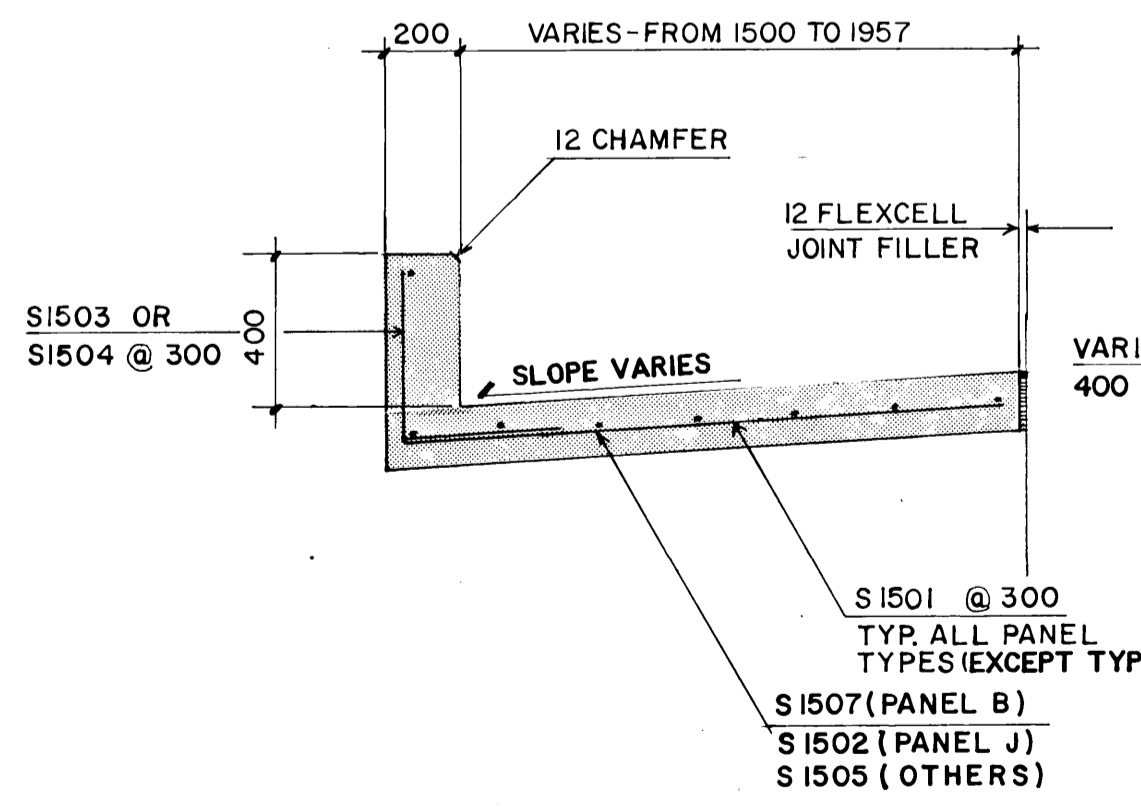
PANEL TYPE E



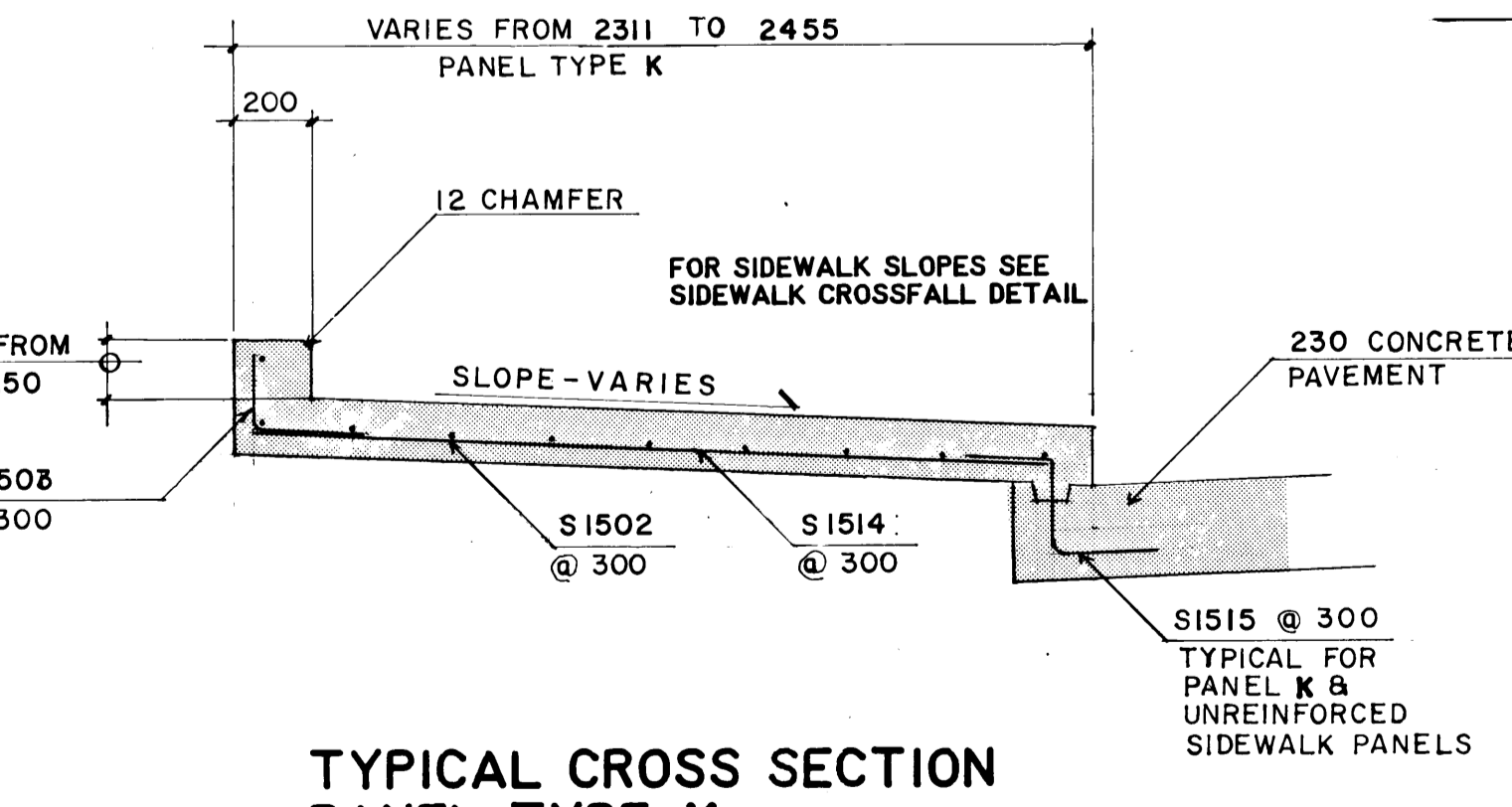
PANEL TYPE F



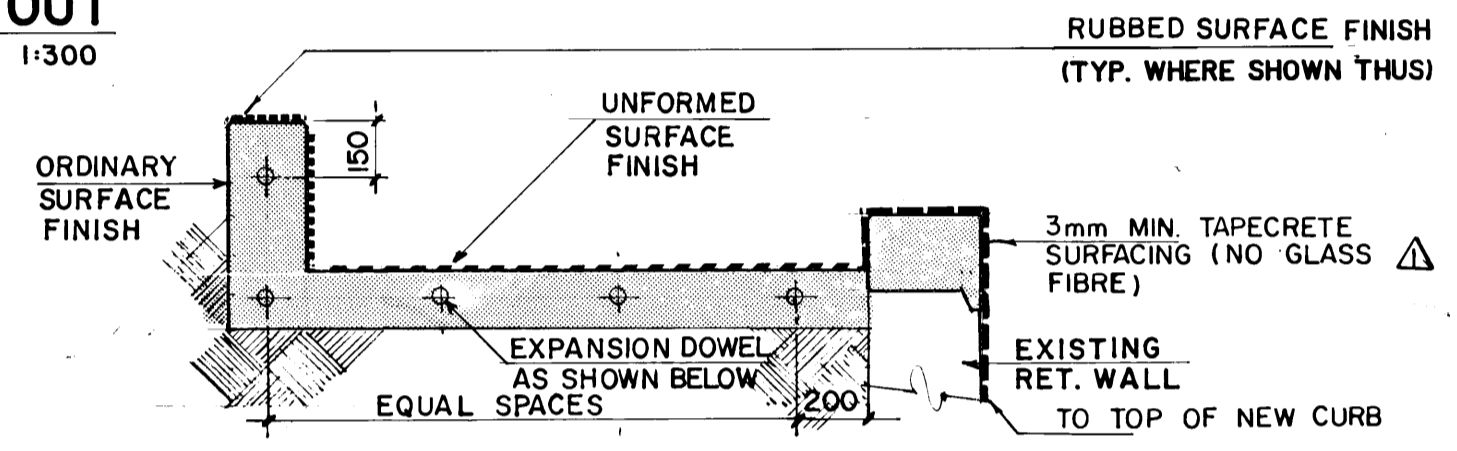
PANELS TYPE G & H



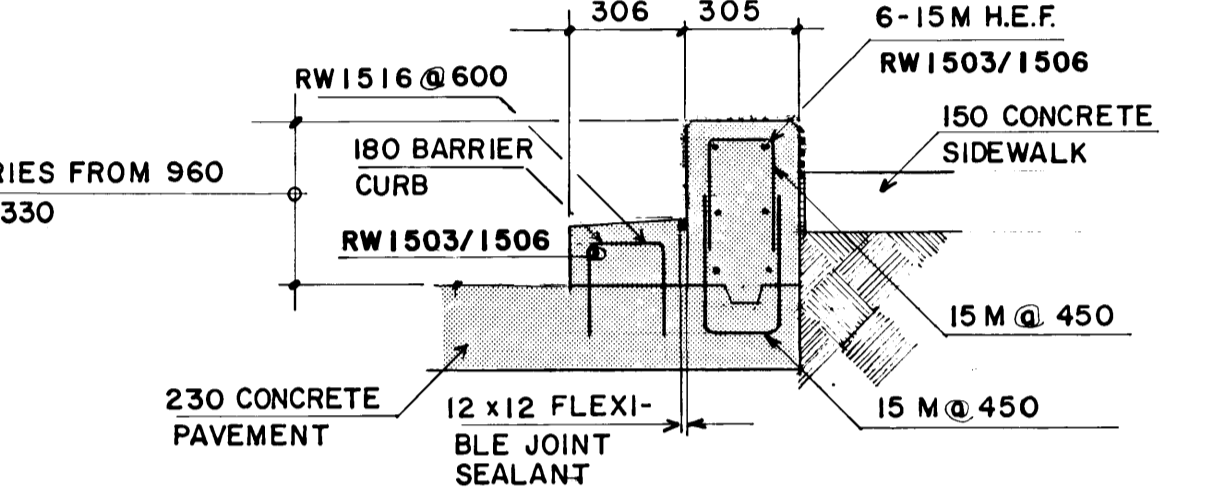
TYPICAL CROSS SECTION PANELS TYPE A TO J SCALE 1:20



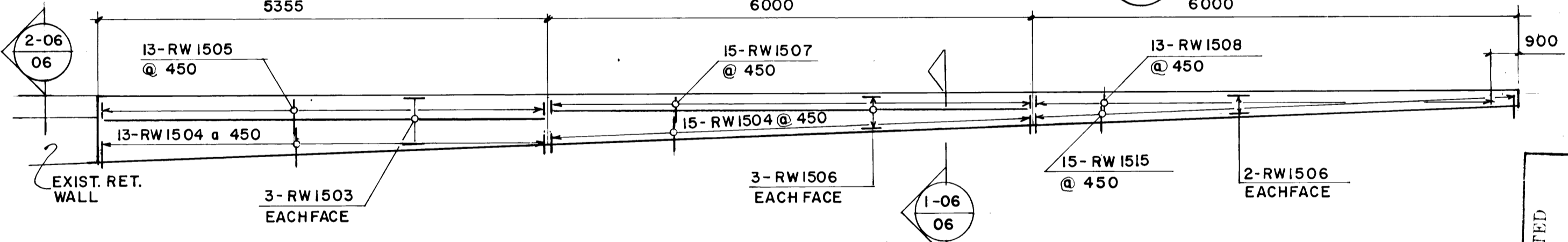
TYPICAL CROSS SECTION PANEL TYPE K SCALE 1:20



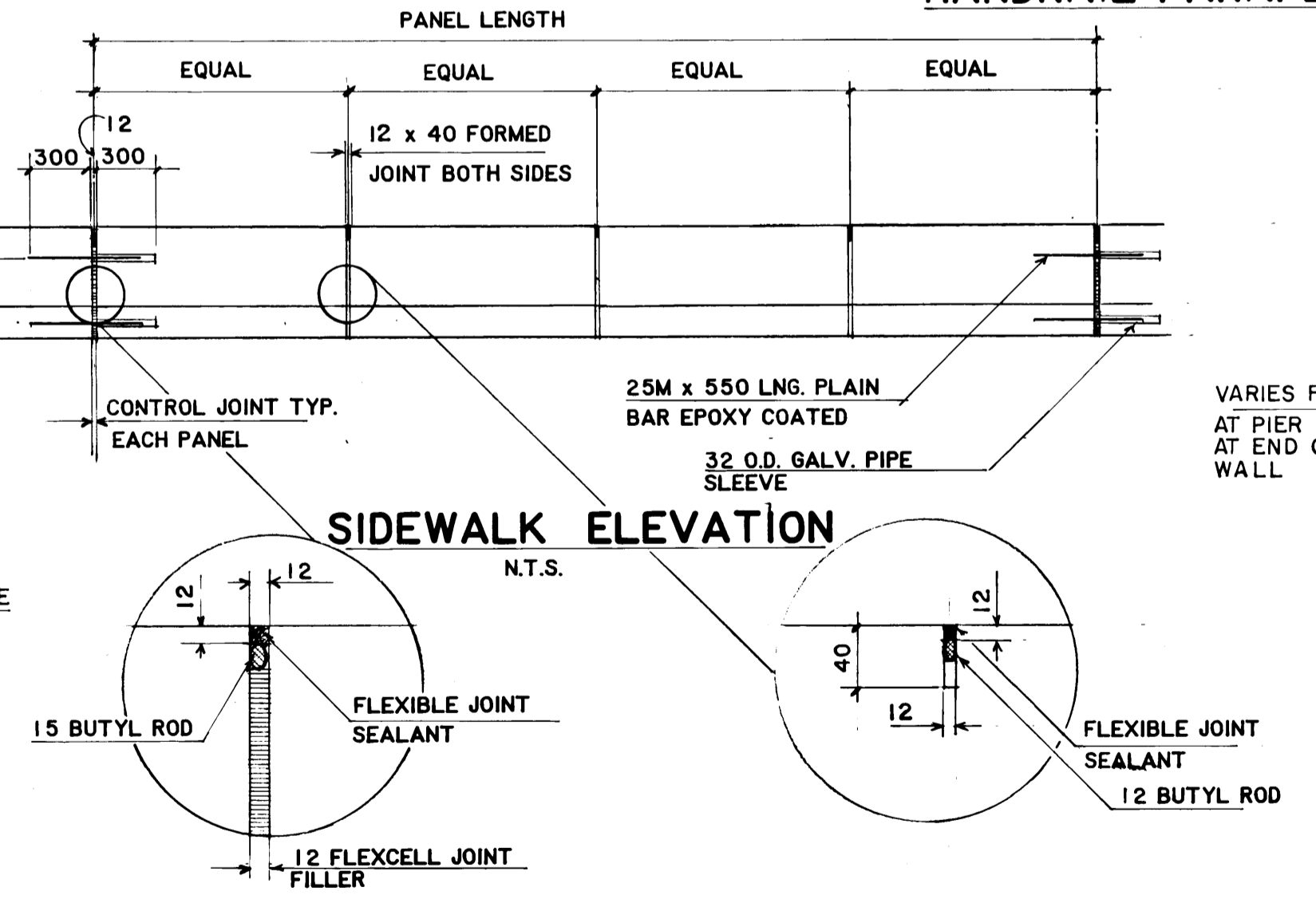
TYPICAL SURFACE FINISHES N.T.S.



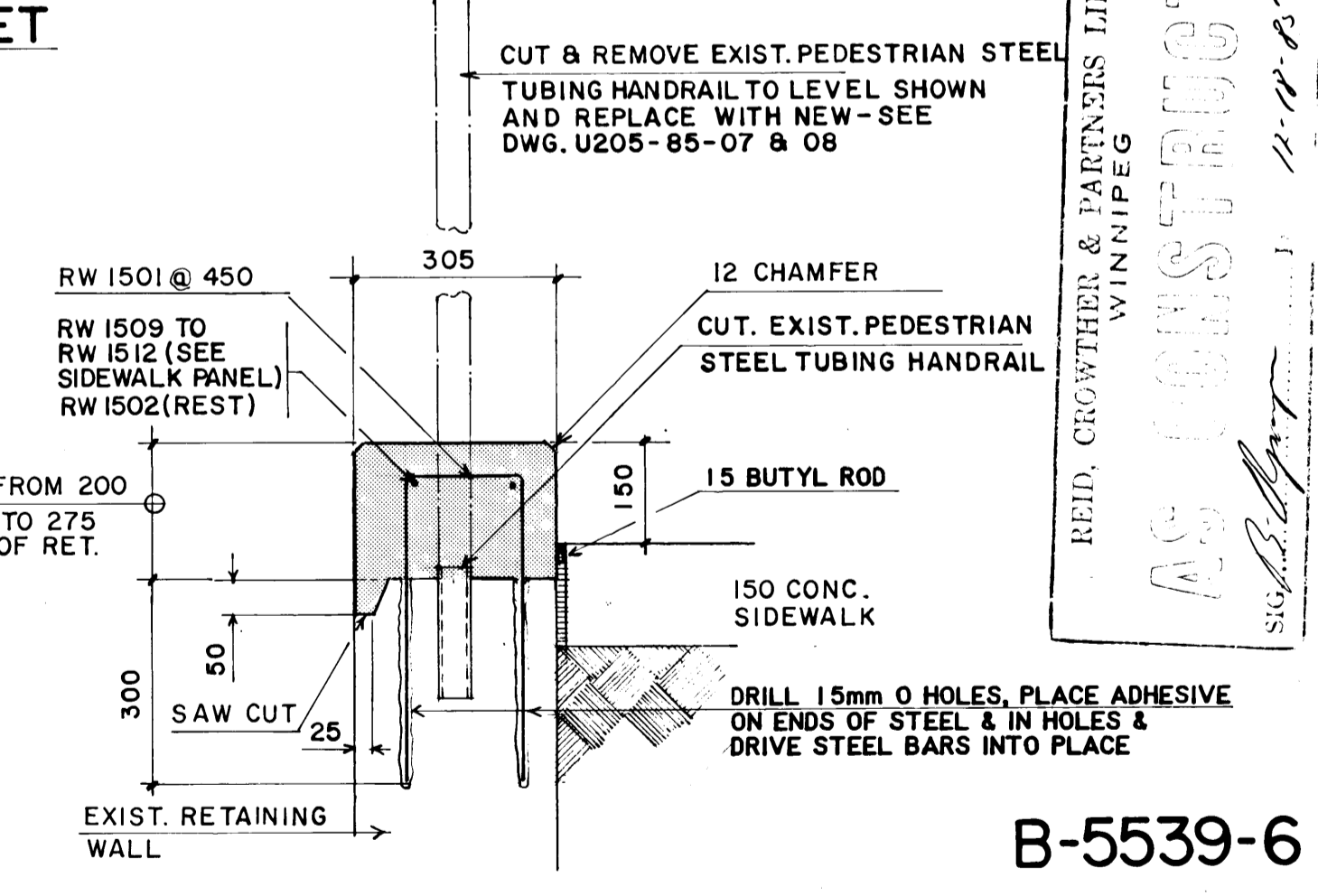
SECTION 1-06 SCALE 1:20



HANDRAIL PARAPET



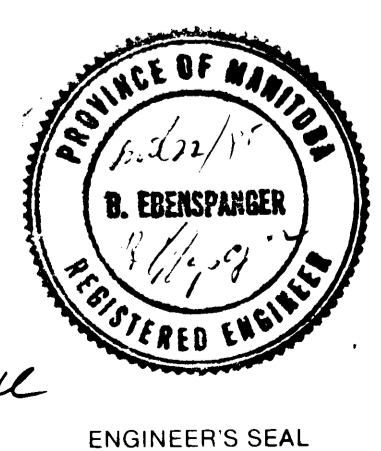
SIDEWALK ELEVATION N.T.S.



SECTION 2-06 SCALE 1:10

- NOTES:
- FIELD CUT REINFORCING BARS AS REQUIRED FOR INSTALLATION AT SIDEWALK BLOCK OUTS FOR BARRIER RAIL POSTS AND TRANSITION SIDEWALK RET. WALL. FIELD APPLY EPOXY TO CUT ENDS.
 - REFER TO DWG. U205 85 10 FOR LOCATION AND DETAILS OF SIDEWALK BLOCKOUTS.
 - REFER TO DWG. U205-85-04 FOR SIDEWALK PROFILES.
 - REFER TO DWG. U205-85-16 FOR DETAILS OF RET. WALL TO BE REMOVED.
 - SIDEWALK CONTROL JOINTS SHALL MATCH EXIST. RET. WALL CONTROL JOINTS OR PAVEMENT JOINTS.
 - READ THIS DWG. IN CONJUNCTION WITH DWG. U205-85-12.

NO.	AS CONSTRUCTED	REVISIONS	DATE	APP.
1	AS CONSTRUCTED			



Reid Crowther
 Reid Crowther & Partners Ltd.
 Engineers-Planners-Scientists

DESIGNED BY: B. E. DRAWN BY: R. C. S.
 CHECKED BY: W. J. M. DATE: 85 04 17
 JOB No. 60709-07

APPROVED BY: [Signature] DATE: [Signature]

THE CITY OF WINNIPEG
 WORKS & OPERATIONS DIVISION
 STREETS & TRANSPORTATION DEPARTMENT

RUE ARCHIBALD UNDERPASS
 C.P.R. KEEWATIN SUBDIVISION
 PAVEMENT RECONSTRUCTION AND RELATED WORKS

UNDERPASS SIDEWALK LAYOUT & DETAILS

AUTHORIZED BY: [Signature] P.E. 1985-04-30
 ACCEPTED BY: [Signature] 1985-04-30

SCALE: 1:100 U.N.O. DRAWING NO. U205-85-06

REID, CROWTHER & PARTNERS LIMITED
 WINNIPEG
AS CONSTRUCTED
 [Signature]

B-5539-6

A. DETAIL NO.
 B. DRAWING WHERE DETAIL SHOWN
 C. DRAWING WHERE DETAIL TAKEN

METRIC
 WHOLE NUMBERS INDICATE MILLIMETRES
 DECIMALIZED NUMBERS INDICATE METRES