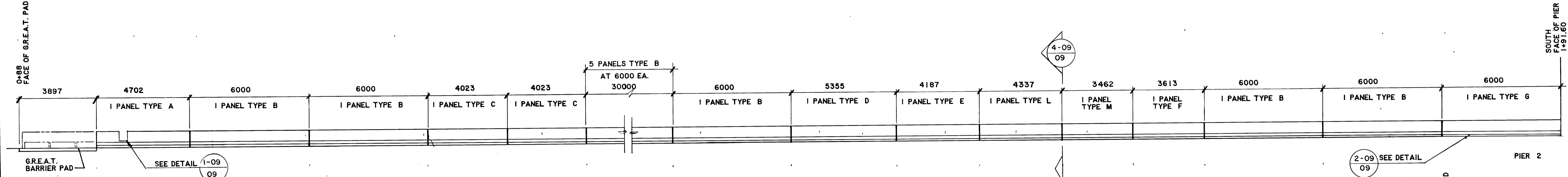
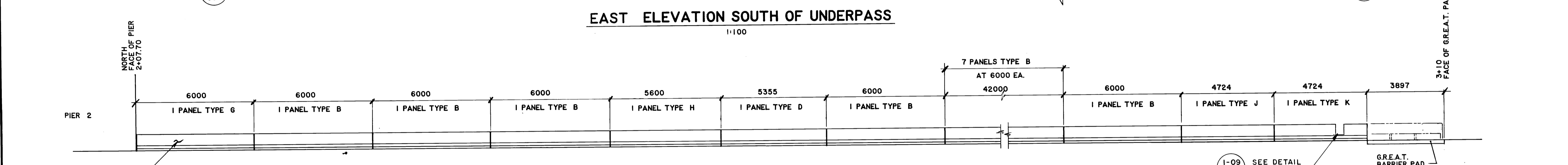


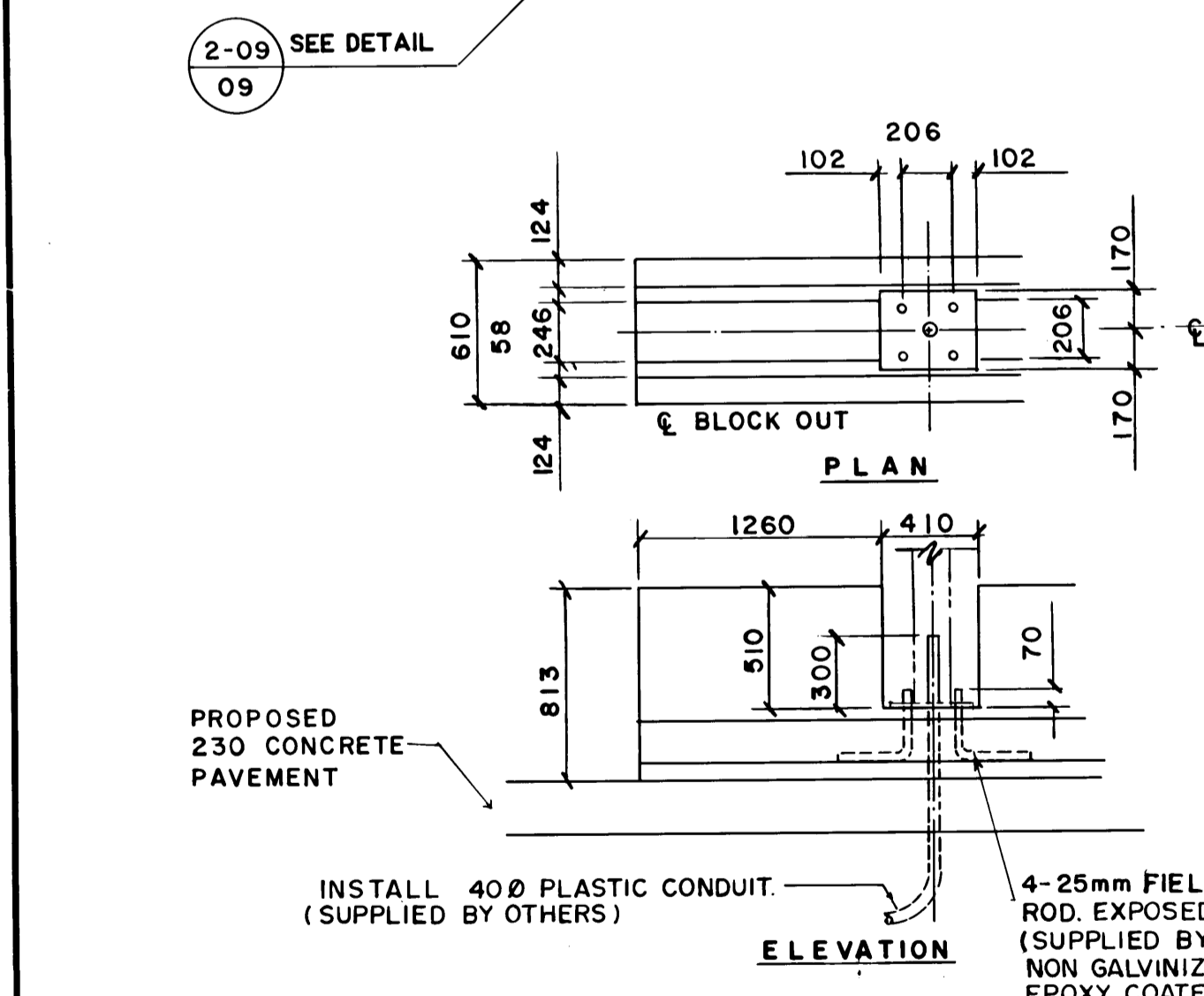
PLAN
1:300



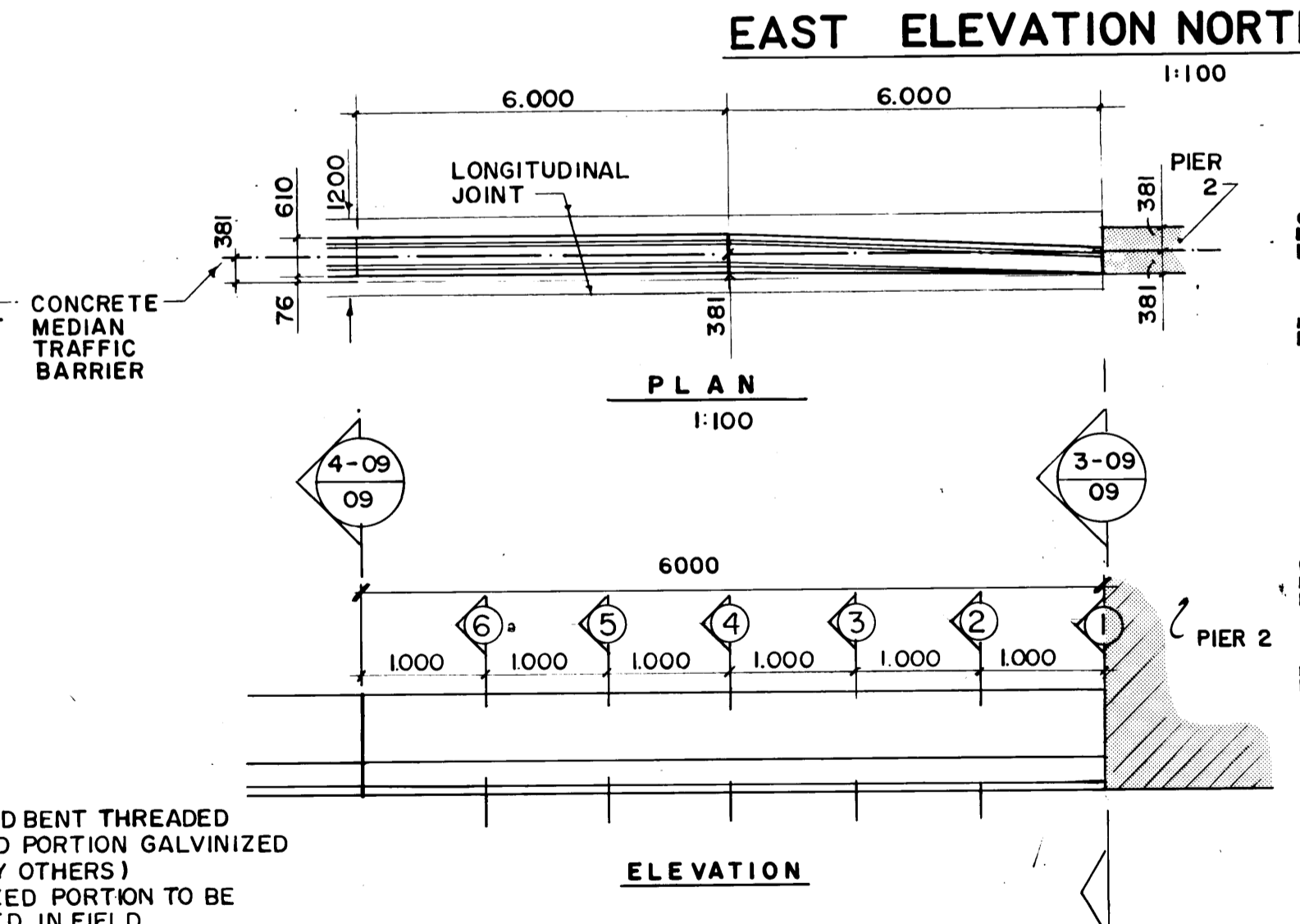
EAST ELEVATION SOUTH OF UNDERPASS
1:100



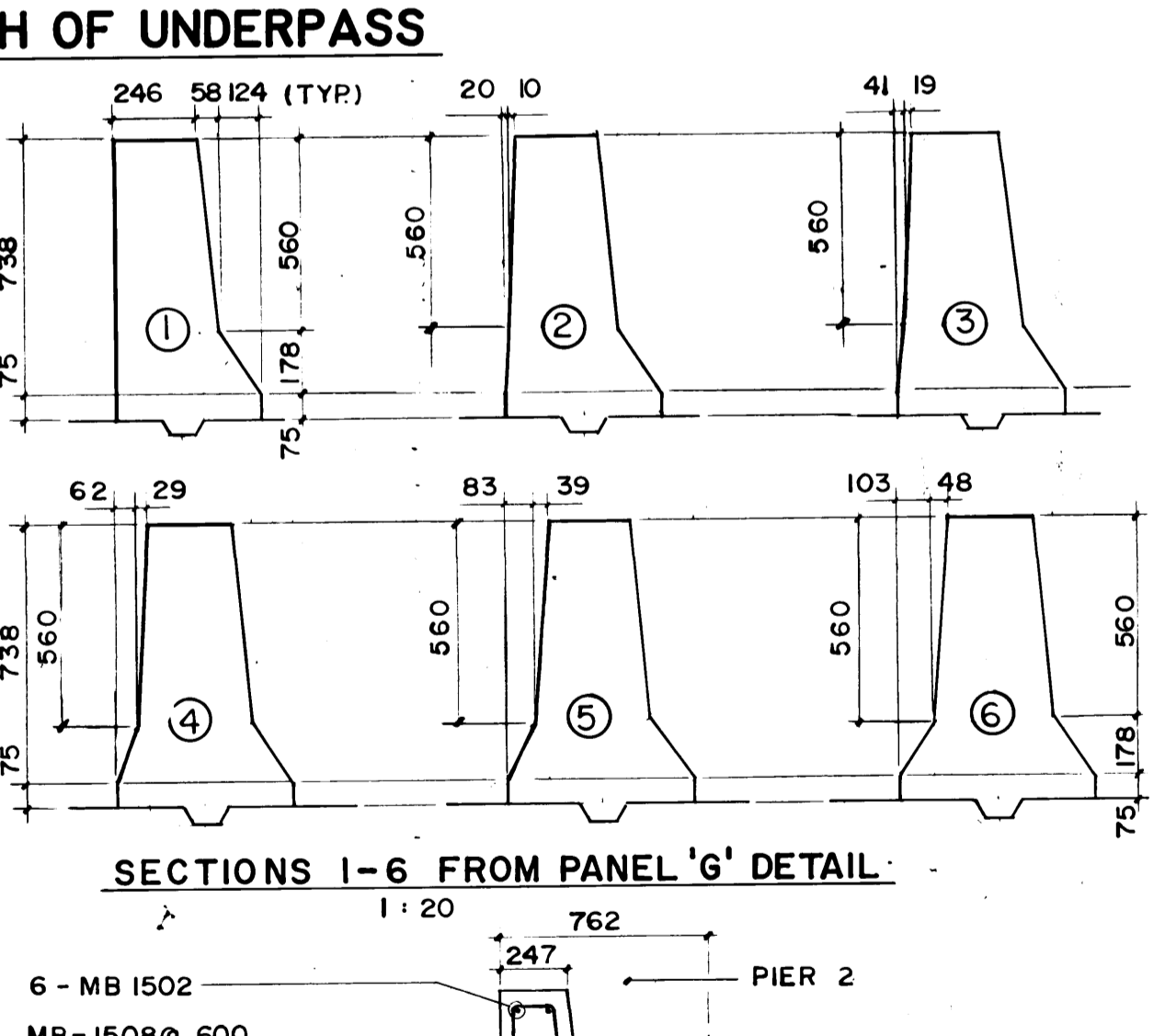
EAST ELEVATION NORTH OF UNDERPASS
1:100



CONCRETE BLOCK OUT FOR HAZARD FLASHER UNIT
N.T.S.

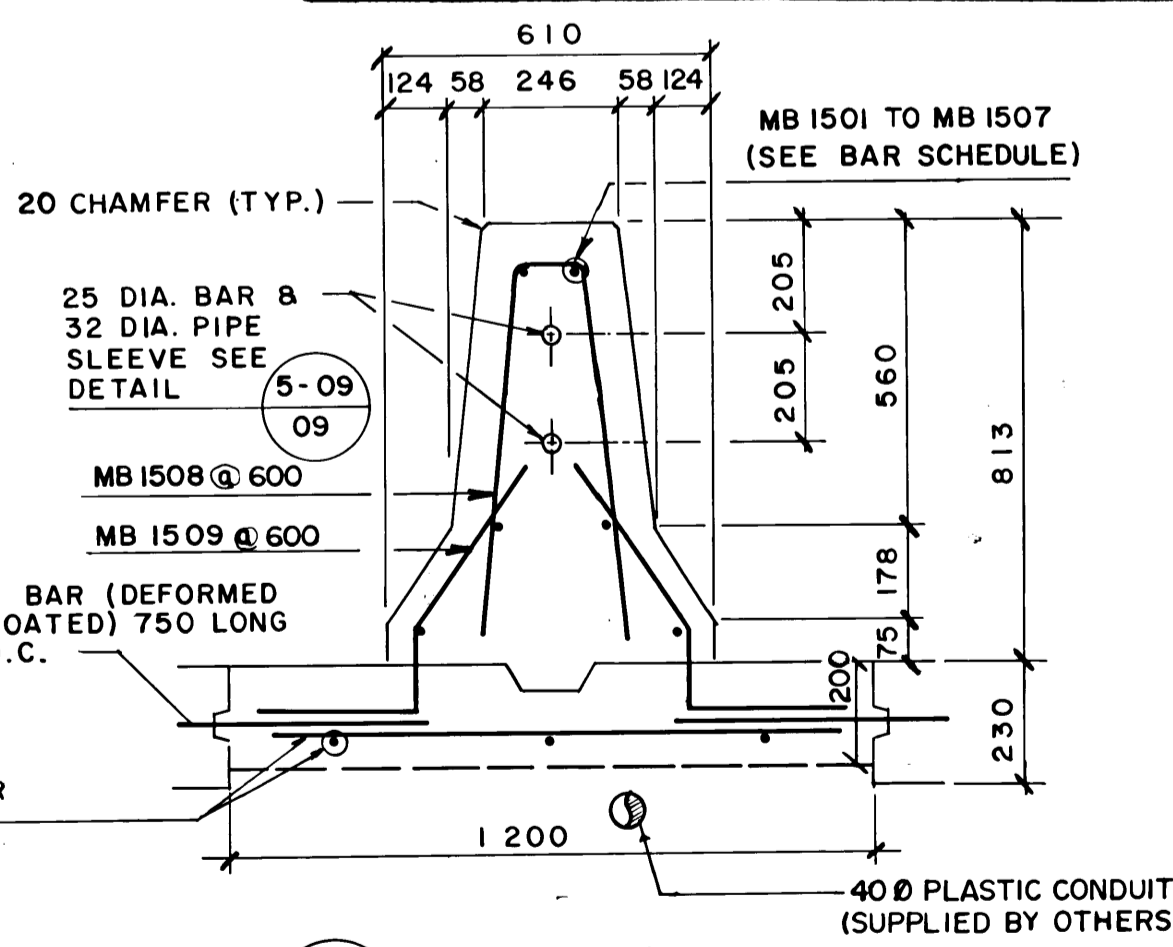


PANEL 'G' DETAIL
1:50

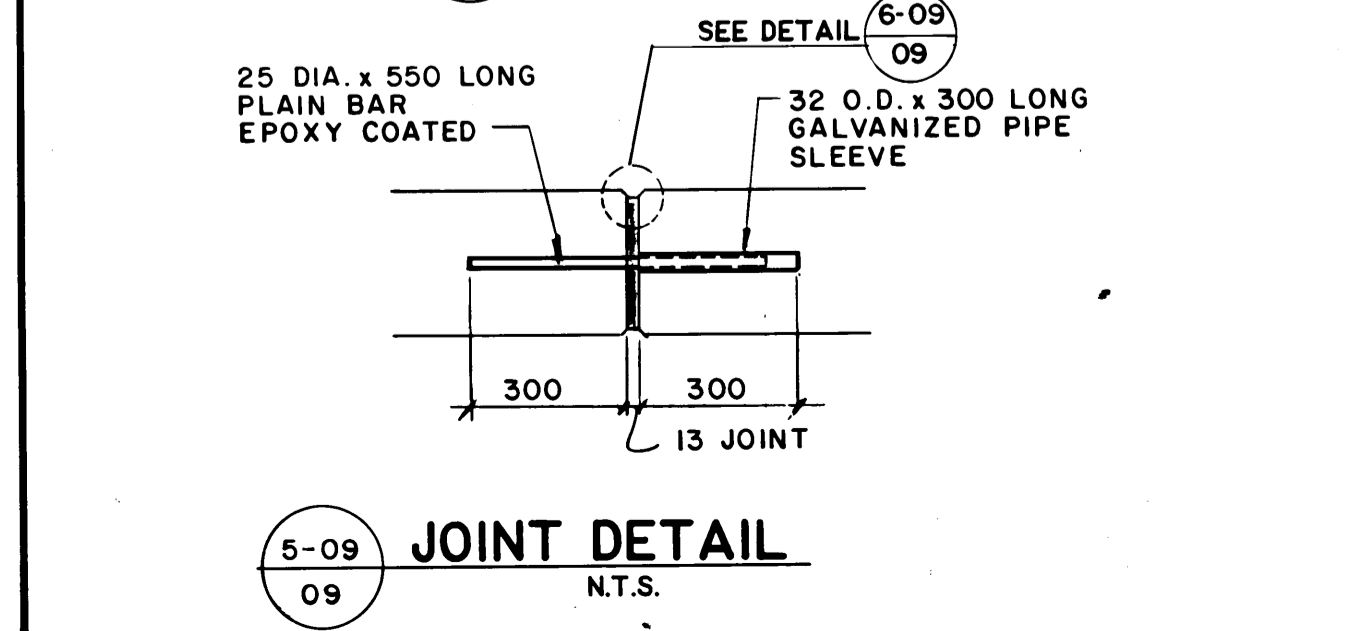


SECTIONS 1-6 FROM PANEL 'G' DETAIL
1:20

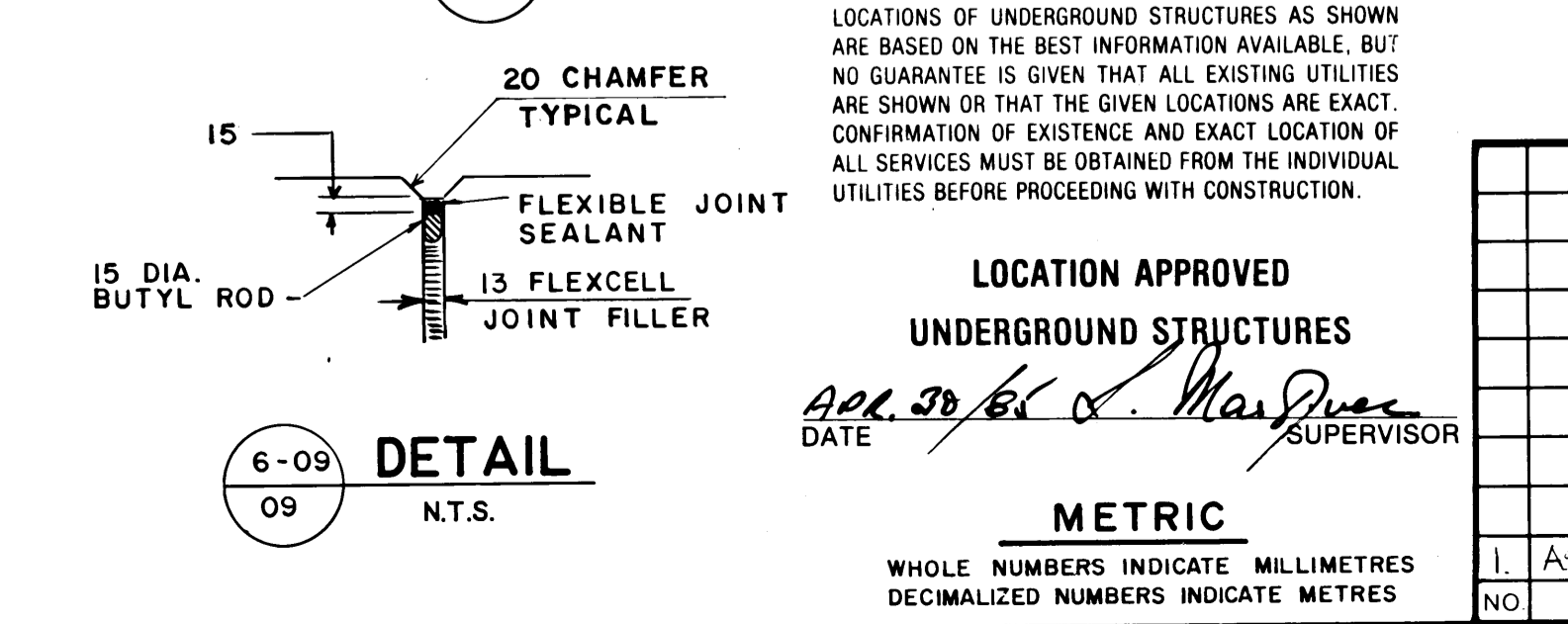
CONCRETE MEDIAN TRAFFIC BARRIER		
PANEL TYPE	NO. REQ'D.	LENGTH
A	1	4 702
B	22	6 000
C	2	4 023
D	2	5 355
E	1	4 187
F	1	3 613
G	2	6 000
H	1	5 600
J	1	4 724
K	1	4 724
L	1	4 337
M	1	3 462



SECTION B-5539-9
N.T.S.



JOINT DETAIL
N.T.S.



DETAIL
N.T.S.

LOCATION APPROVED
UNDERGROUND STRUCTURES
DATE: APR 30/81
SUPERVISOR: [Signature]
METRIC
WHOLE NUMBERS INDICATE MILLIMETRES
DECIMALIZED NUMBERS INDICATE METRES

NO.	AS CONSTRUCTED	NOV 85	DATE	APP.	ENGINEER'S SEAL
1	AS CONSTRUCTED	NOV 85	DATE	APP.	ENGINEER'S SEAL

Reid Crowther
Reid Crowther & Partners Ltd.
Engineers-Planners-Scientists

DESIGNED BY: L.R.V. DRAWN BY: P.A.L.
CHECKED BY: D.R.K. DATE: 85 04 02
JOB NO: 60709-10

APPROVED BY: [Signature] DATE: 85/04/22

THE CITY OF WINNIPEG
WORKS & OPERATIONS DIVISION
STREETS & TRANSPORTATION DEPARTMENT

RUE ARCHIBALD UNDERPASS
C.P.R. KEEWATIN SUBDIVISION
PAVEMENT RECONSTRUCTION AND RELATED WORKS
CONCRETE MEDIAN TRAFFIC BARRIER LAYOUT & DETAILS

AUTHORIZED BY: [Signature] DATE: 1985-04-30
ACCEPTED BY: [Signature] DATE: 1985-04-30
SCALE: AS SHOWN DRAWING NO: U205-85-09

REID, CROWTHER & PARTNERS LIMITED
WINNIPEG
AS CONSTRUCTED
SIGNED: [Signature] DATE: 85-12-18