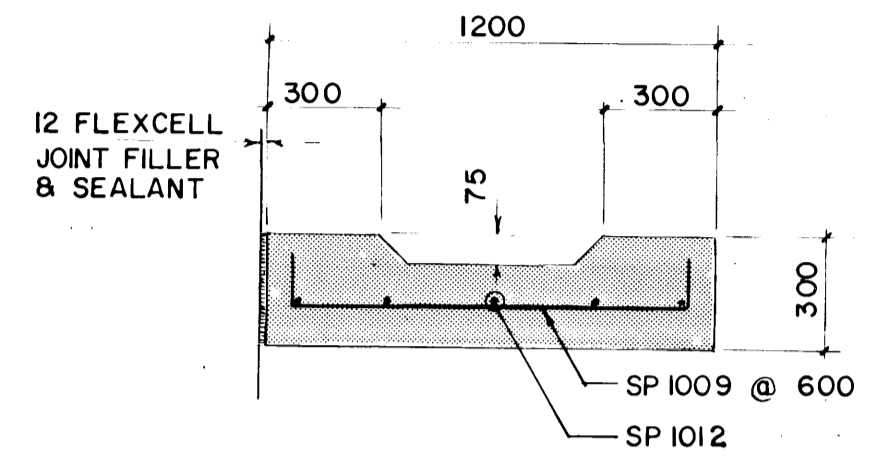
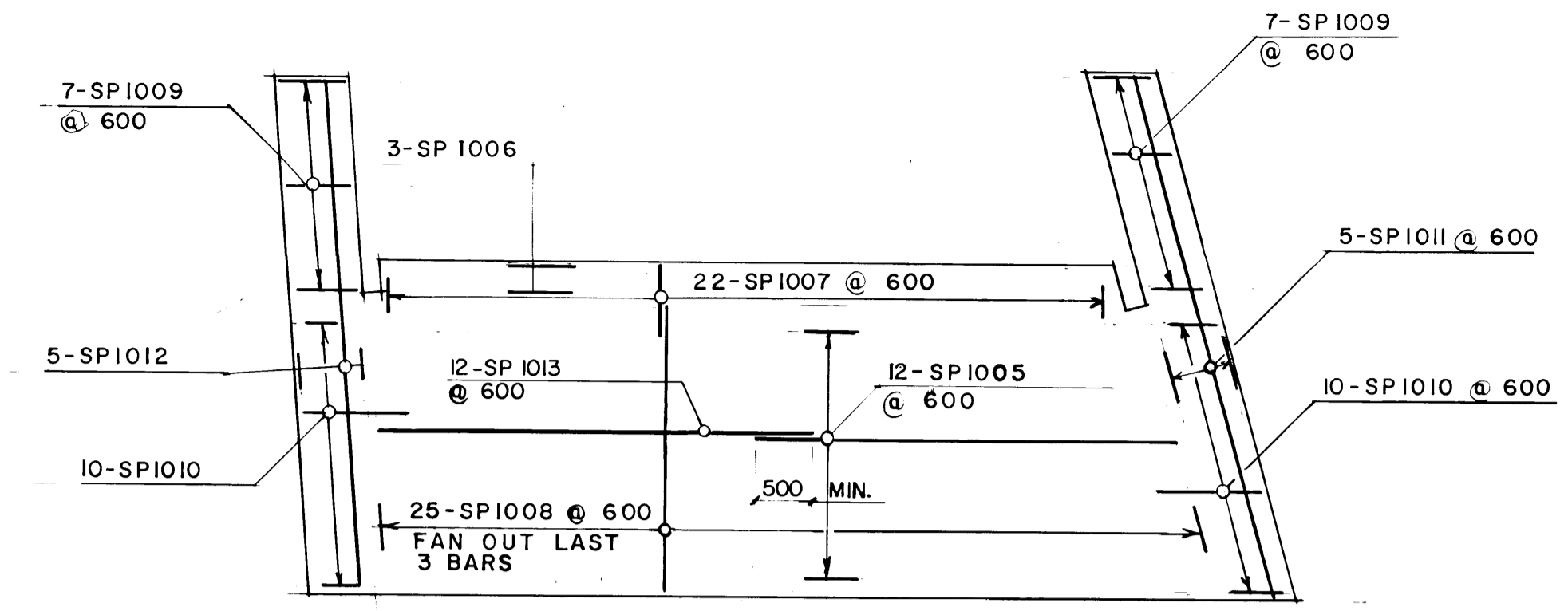


SLOPE PROTECTION AT WEST ABUTMENT
SCALE 1:100

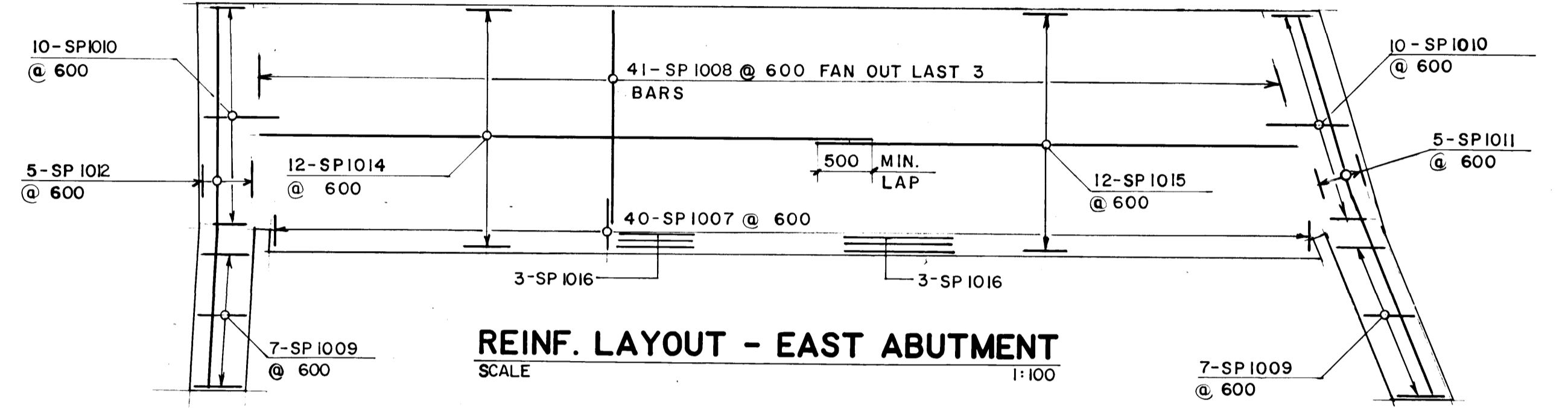
SLOPE PROTECTION AT EAST ABUTMENT
SCALE 1:100



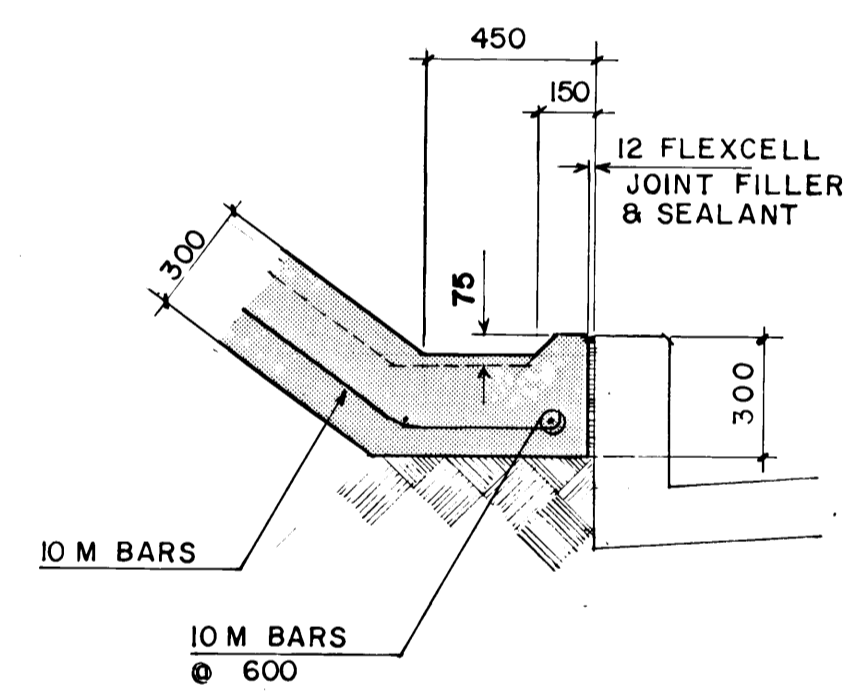
SECTION DRAINAGE CHANNEL
8-12



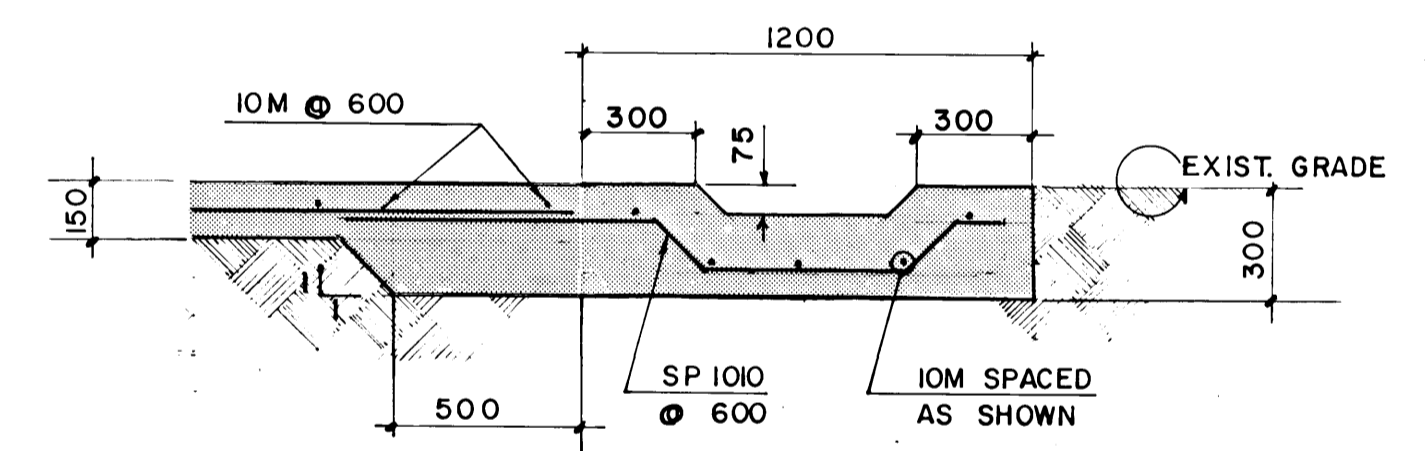
REIN. LAYOUT - WEST ABUTMENT
SCALE 1:100



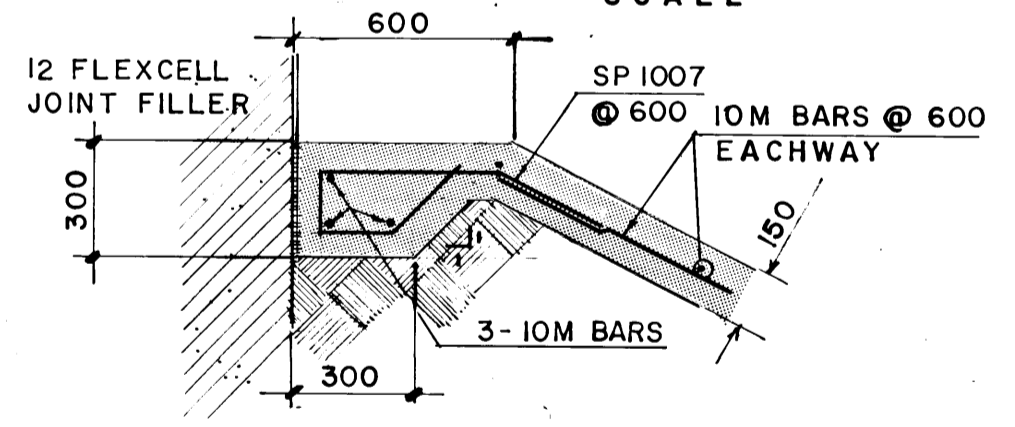
REIN. LAYOUT - EAST ABUTMENT
SCALE 1:100



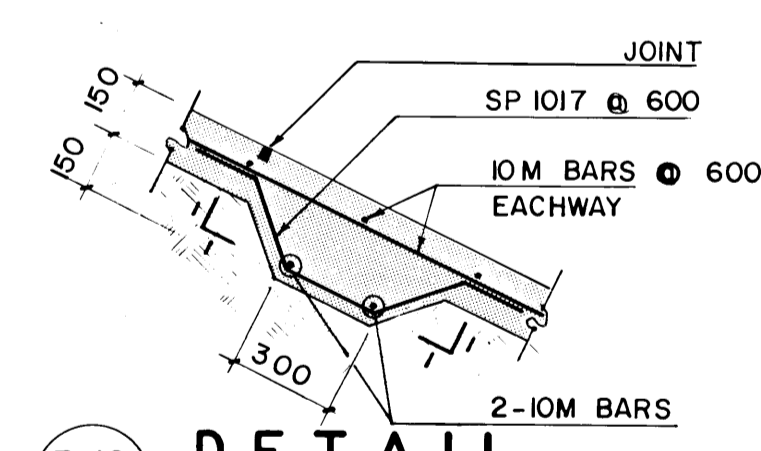
SECTION DRAINAGE CHANNEL
1-12



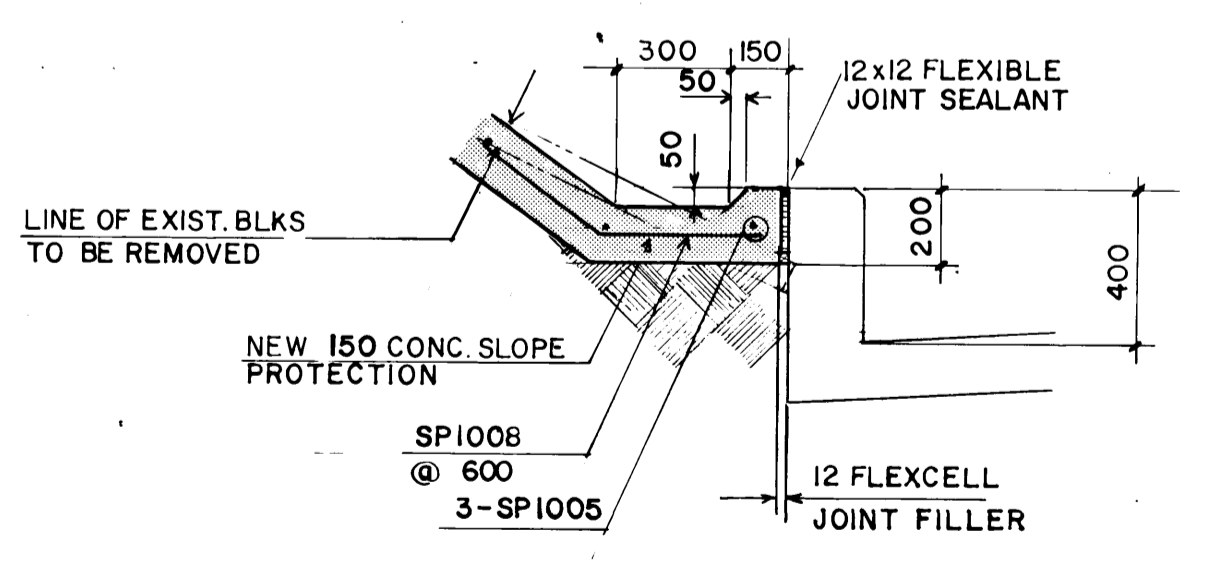
SECTION DRAINAGE CHANNEL
2-12



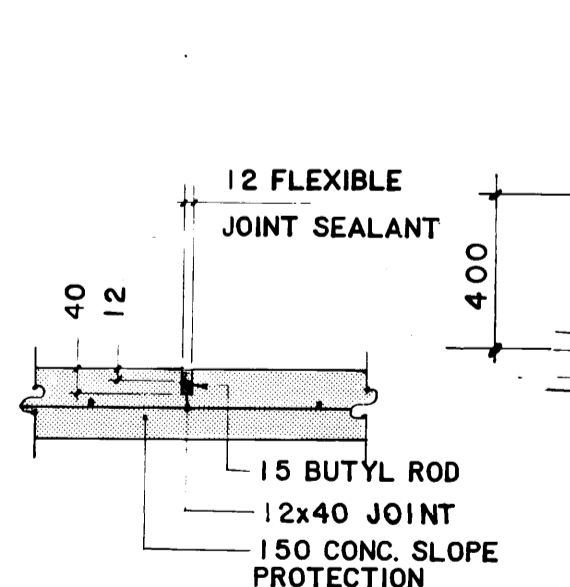
DETAIL SLOPE PROTECTION
6-12



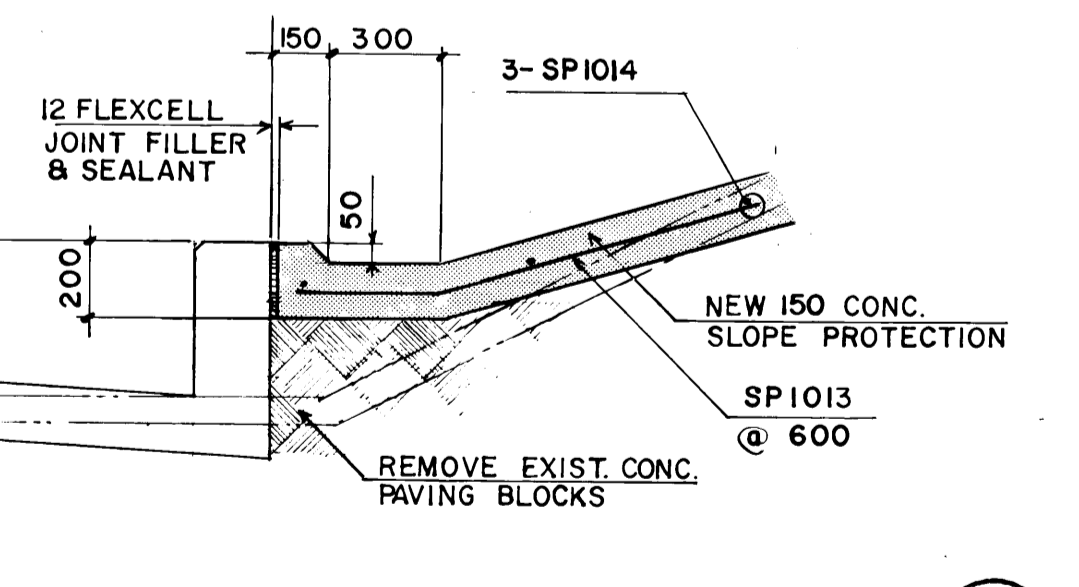
DETAIL SLOPE PROTECTION
7-12



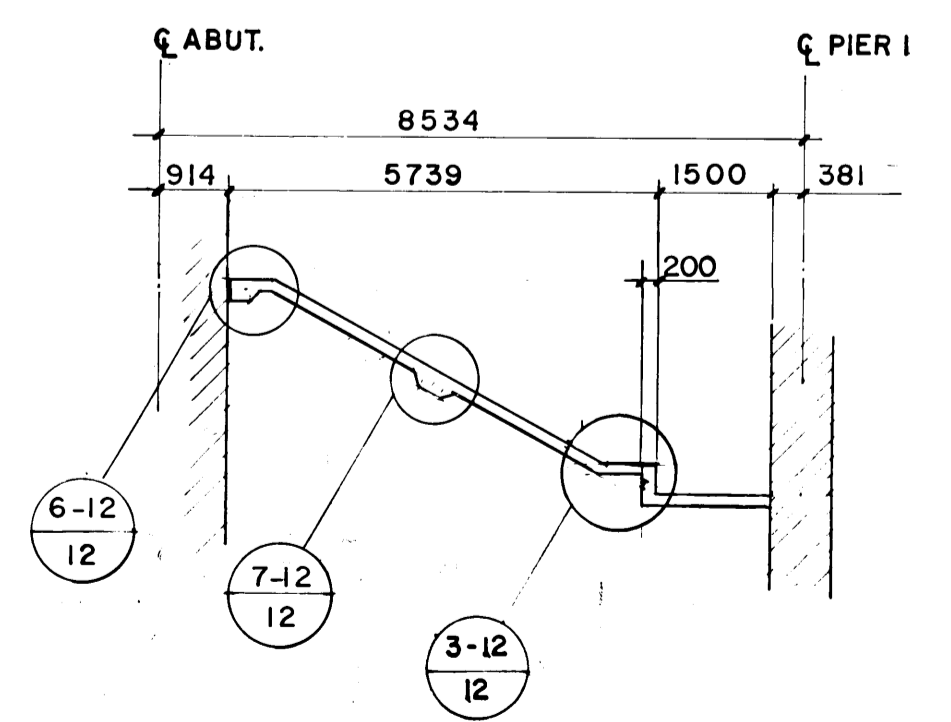
DETAIL SLOPE PROTECTION
3-12



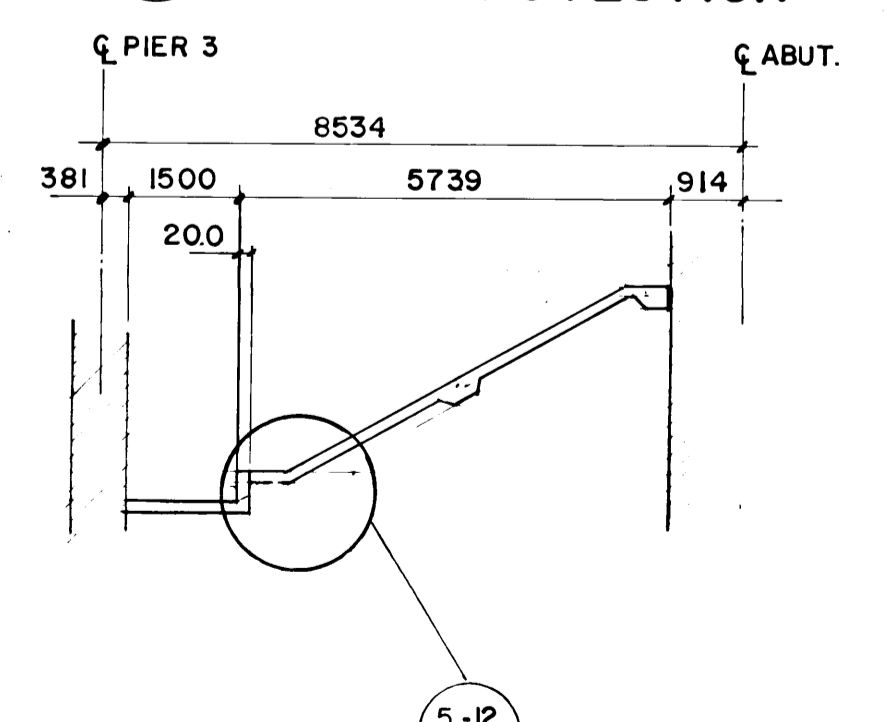
DETAIL FORMED JOINTS
4-12



DETAIL SLOPE PROTECTION
5-12



SECTION - WEST
SCALE 1:100



SECTION - EAST
SCALE 1:100

SLOPE PROTECTION

REID, CROWTHER & PARTNERS LIMITED
 WINNIPEG
 DATE: 2-12-85

B-5539-12

- A. DETAIL NO.
- B. DRAWING WHERE DETAIL SHOWN
- C. DRAWING WHERE DETAIL TAKEN

METRIC
WHOLE NUMBERS INDICATE MILLIMETRES
DECIMALIZED NUMBERS INDICATE METRES

NO.	REVISIONS	DATE	APP.
2	AS CONSTRUCTED	OCT/85	RMK
1	SLOPE PROTECTION ENTERED	JULY 2001	RMK



Reid Crowther
Reid Crowther & Partners Ltd.
Engineers-Planners-Scientists

DESIGNED BY: B. E. DRAWN BY: R. C. S.
CHECKED BY: W. J. M. DATE: 85 04 17
JOB No. 60709-13

APPROVED BY: W. M. Crowther DATE: 85/04/22

THE CITY OF WINNIPEG
WORKS & OPERATIONS DIVISION
STREETS & TRANSPORTATION DEPARTMENT

RUE ARCHIBALD UNDERPASS
C.P.R. KEEWATIN SUBDIVISION
PAVEMENT RECONSTRUCTION AND RELATED WORKS
SLOPE PROTECTION AND DRAINAGE WORKS

AUTHORIZED BY: [Signature] DATE: 1985-04-30
ACCEPTED BY: [Signature] DATE: 1985-04-30

SCALE: 1:20 U.N.O. DRAWING NO. U205-85-12