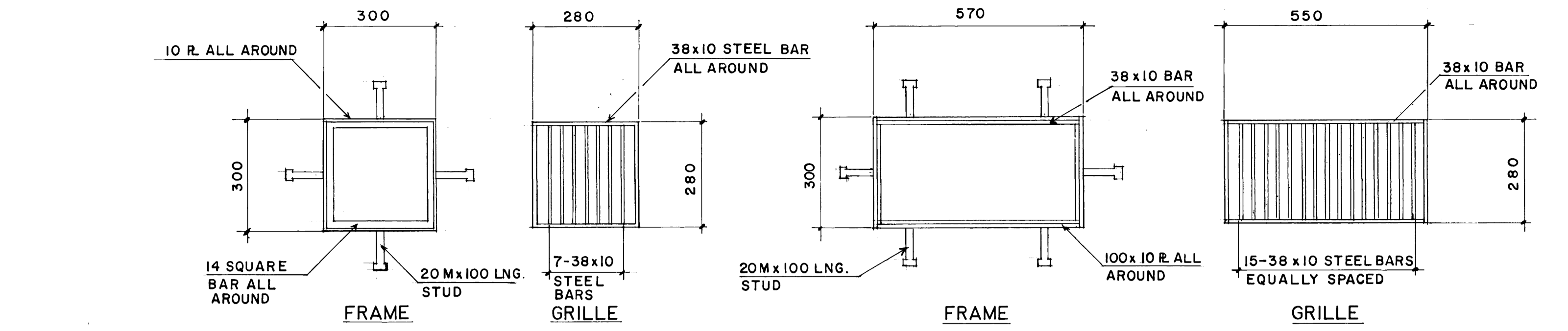
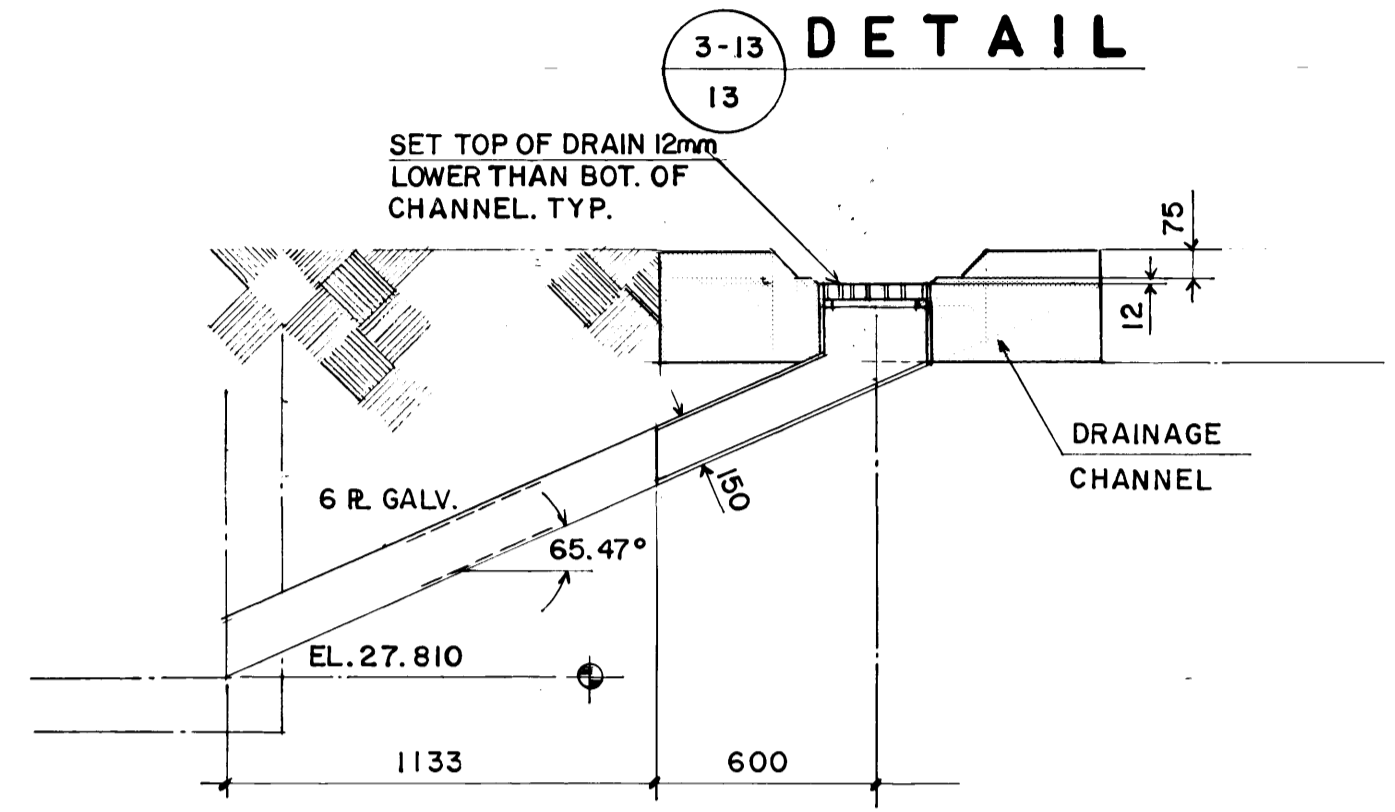


SECTION 1-13 SCALE 1:20

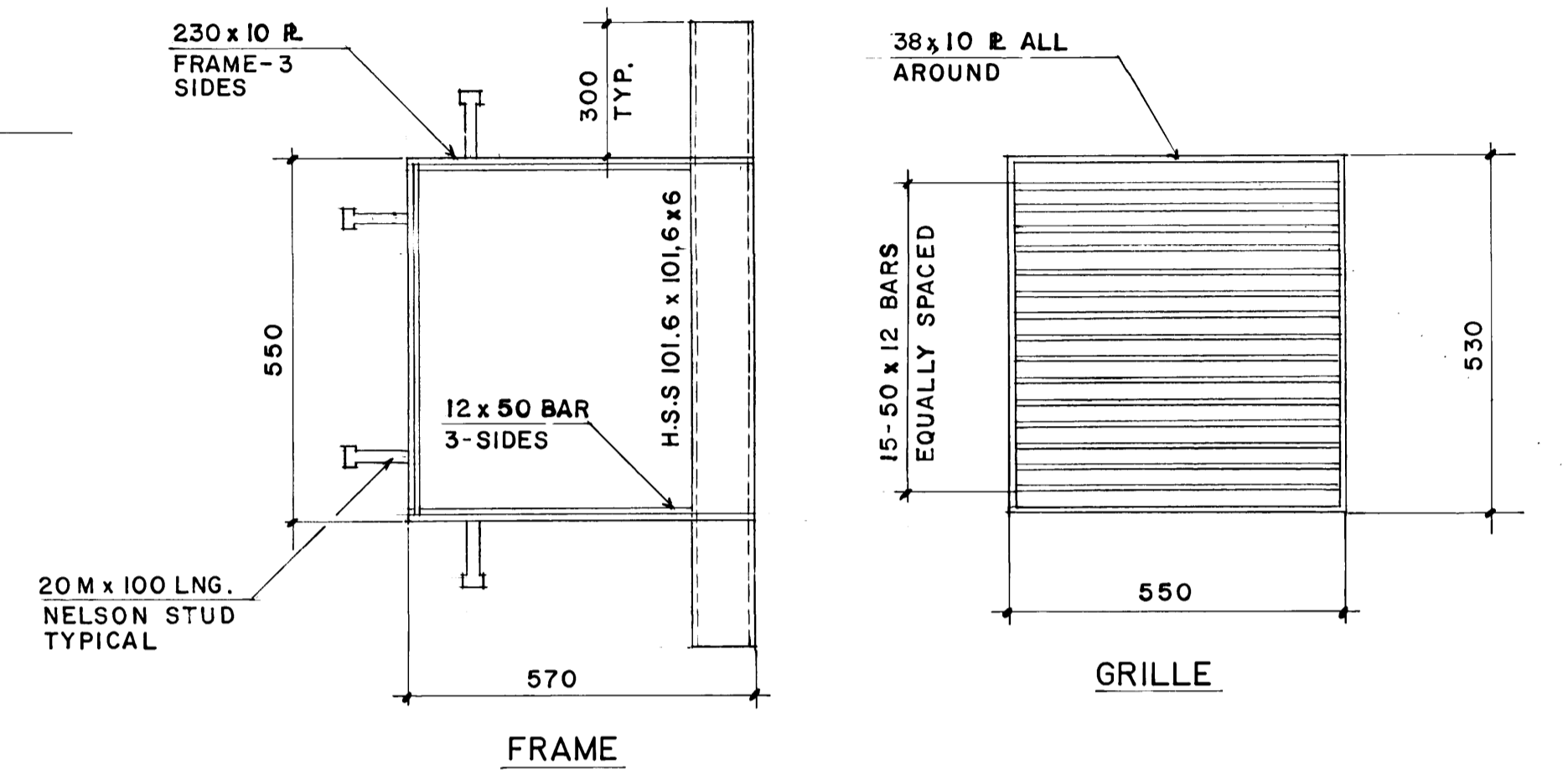


DETAIL 3-13

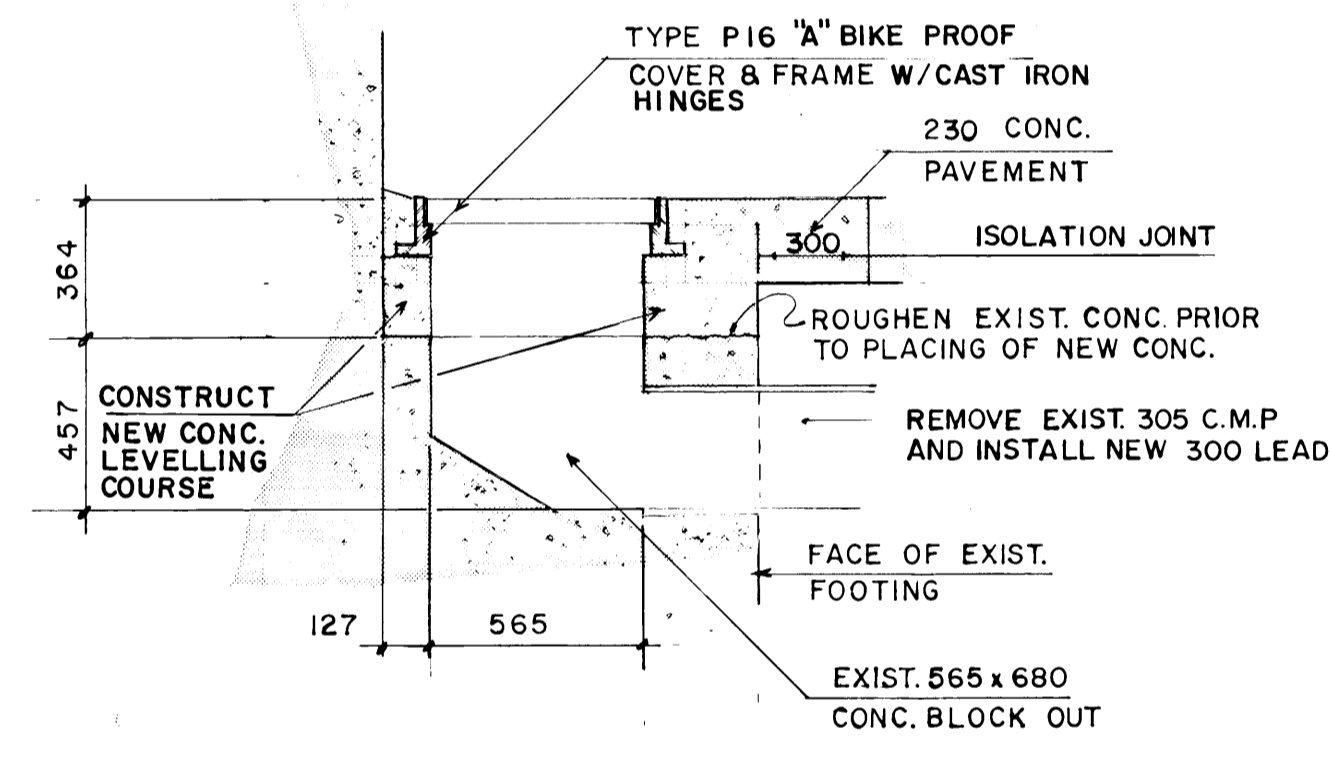
DETAIL 4-13



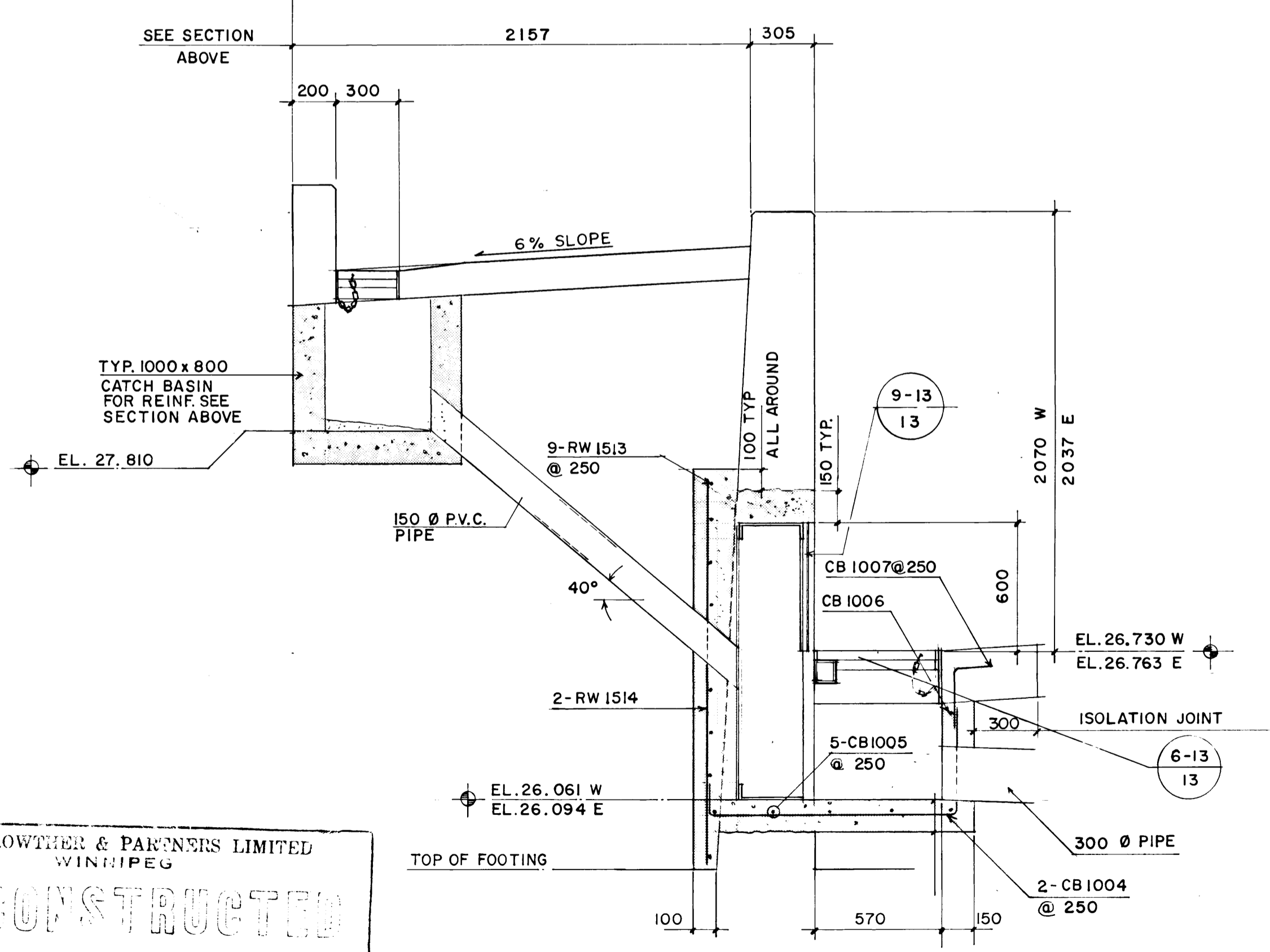
SECTION 5-13 SCALE 1:20



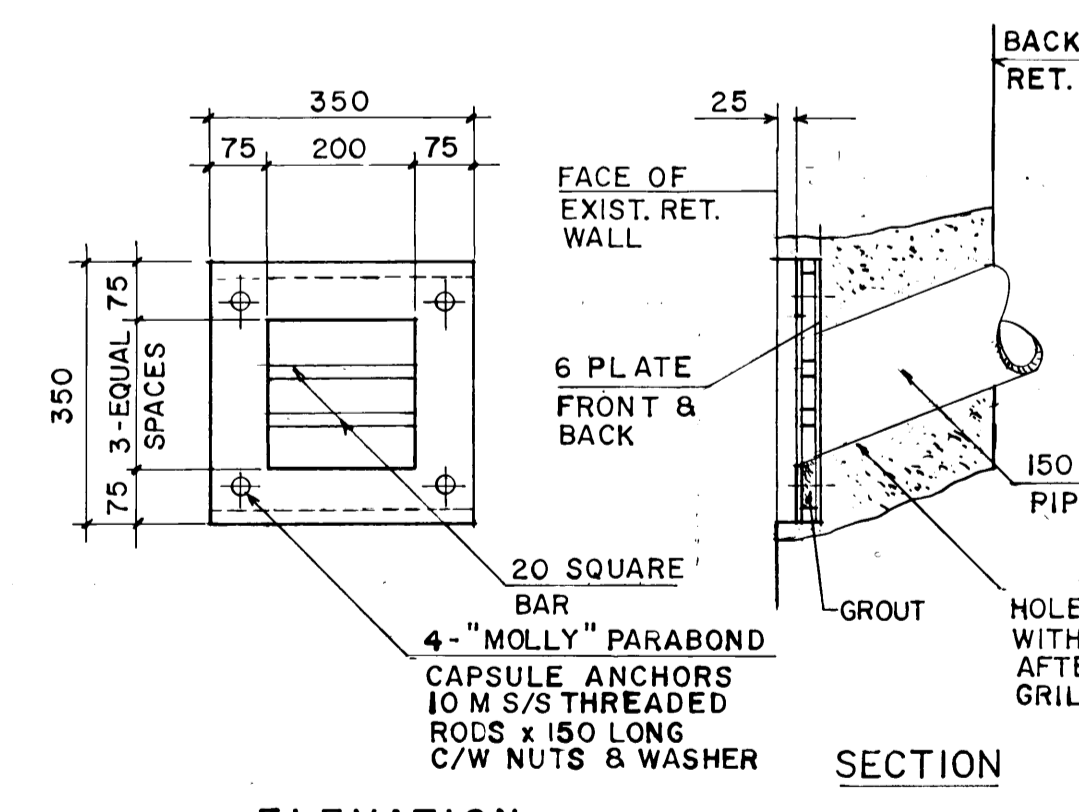
DETAIL 6-13



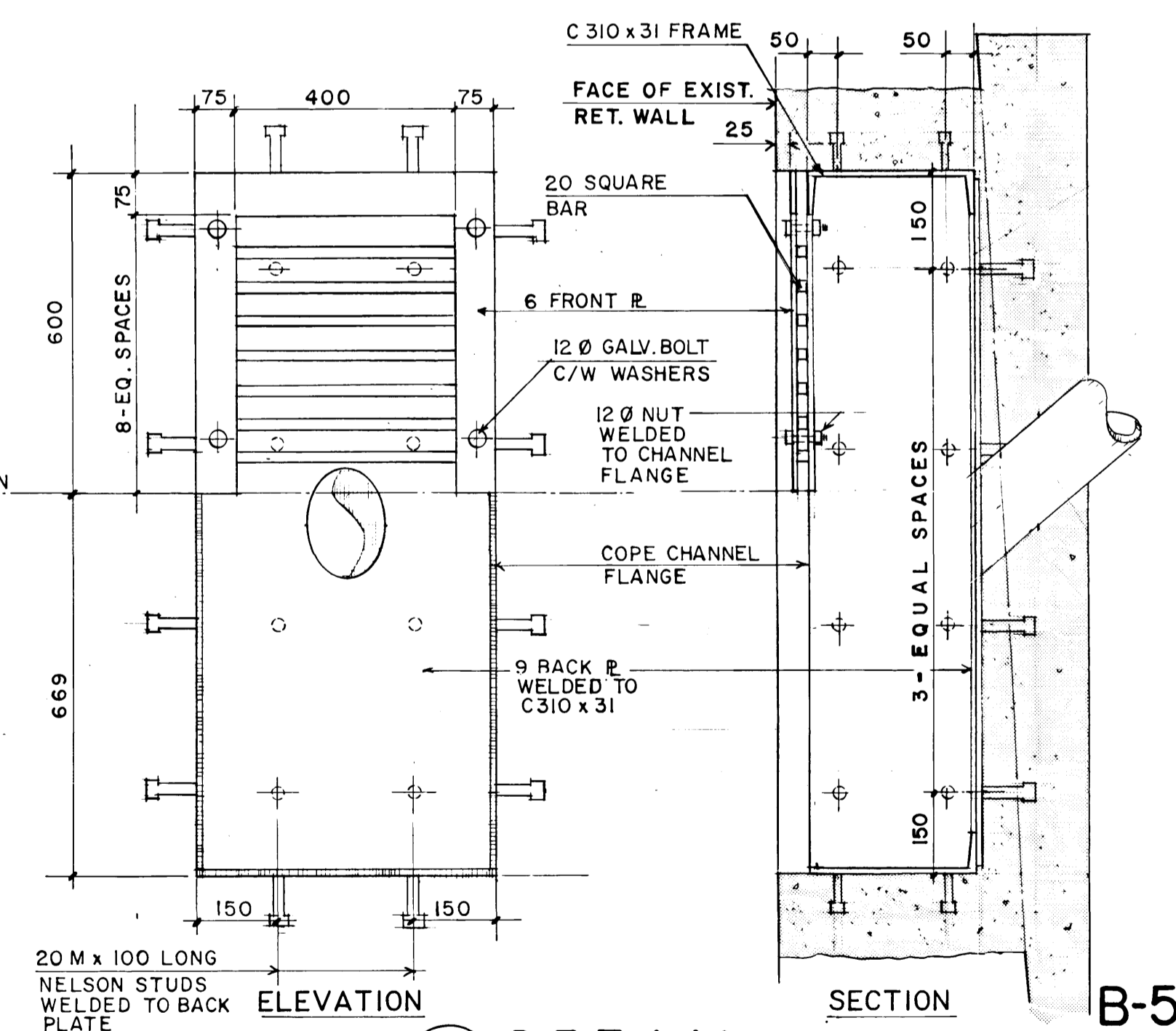
SECTION 7-13 SCALE 1:20



SECTION 2-13 SCALE 1:20



SECTION 8-13

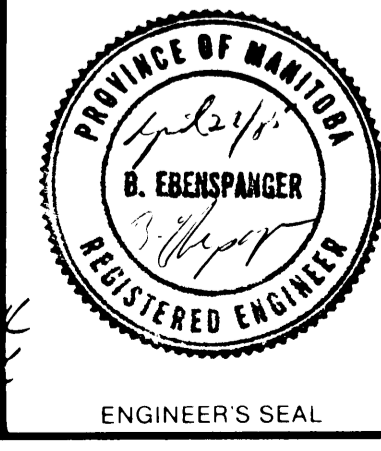


DETAIL 9-13

REID, CROWTHER & PARTNERS LIMITED
WINNIPEG
DATE 11/11/85

A. DETAIL NO.
B. DRAWING WHERE DETAIL SHOWN
C. DRAWING WHERE DETAIL TAKEN

NO	REVISIONS	DATE	APP.
2	AS CONSTRUCTED	NOV 85	[Signature]
1	AS CONSTRUCTED	OCT/85	[Signature]



DESIGNED BY: B. E.	DRAWN BY: R. C. S.
CHECKED BY: W. J. M.	DATE: 85 04 17
APPROVED BY: [Signature]	DATE: 85/04/17

THE CITY OF WINNIPEG
WORKS & OPERATIONS DIVISION
STREETS & TRANSPORTATION DEPARTMENT

RUE ARCHIBALD UNDERPASS
C.P.R. KEEWATIN SUBDIVISION
PAVEMENT RECONSTRUCTION AND RELATED WORKS
DRAINAGE DETAILS
AUTHORIZED BY: [Signature] DATE: 1985-04-30
ACCEPTED BY: [Signature] DATE: 1985-04-30
SCALE: 1:10 U.N.O. DRAWING NO: U205-85-13

B-5539-13 METRIC

WHOLE NUMBERS INDICATE MILLIMETRES
DECIMALIZED NUMBERS INDICATE METRES