

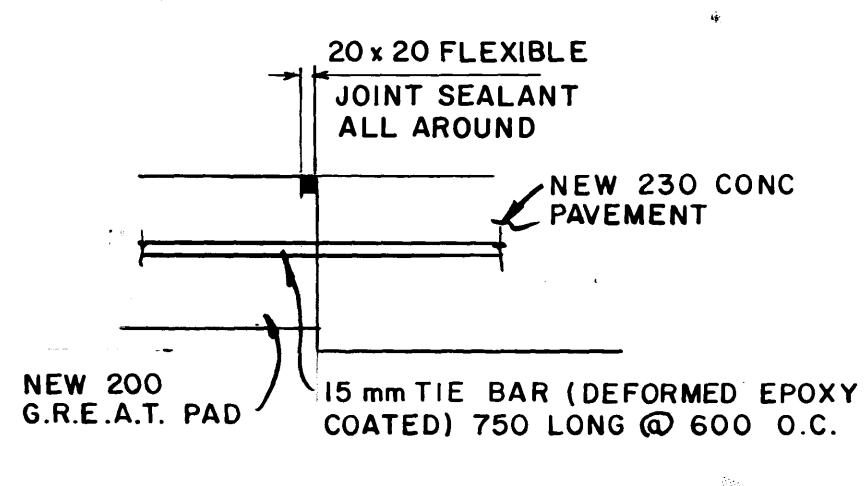
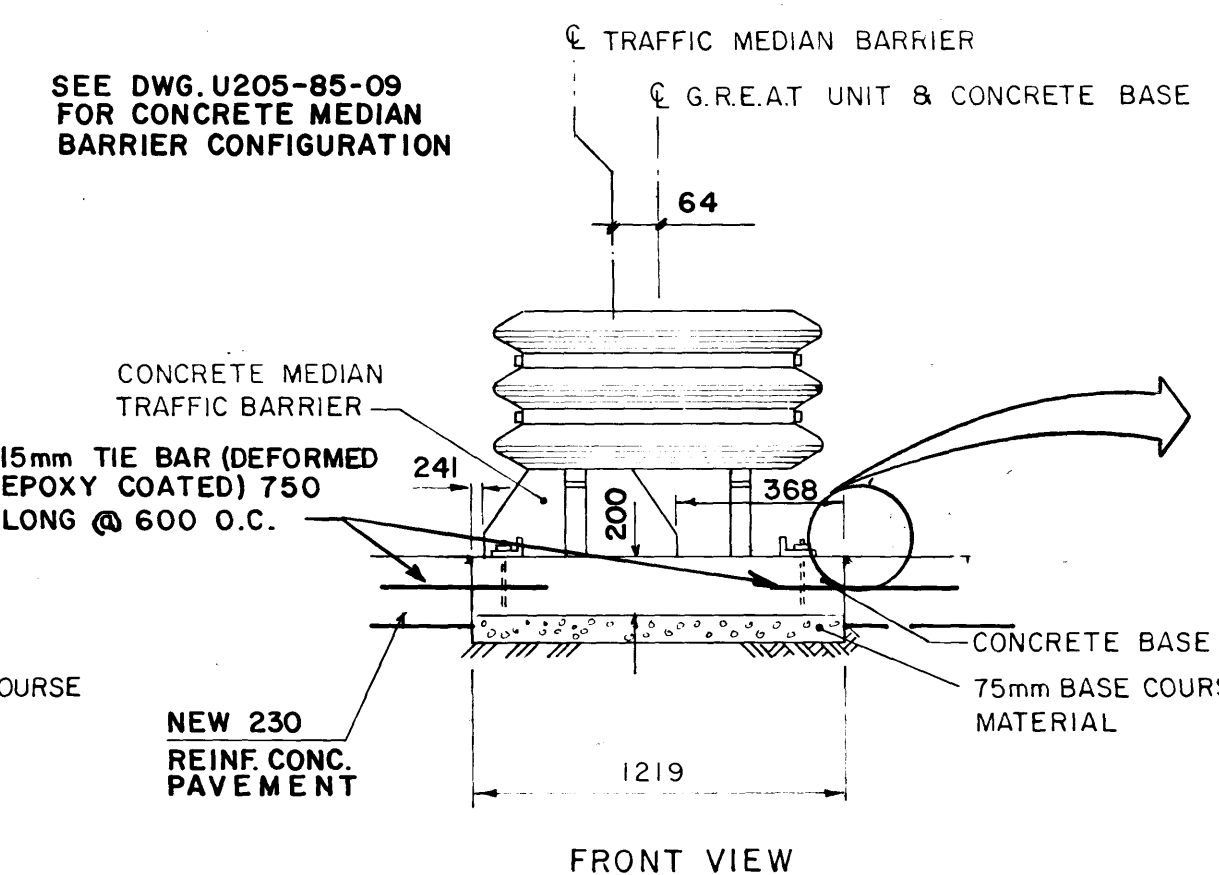
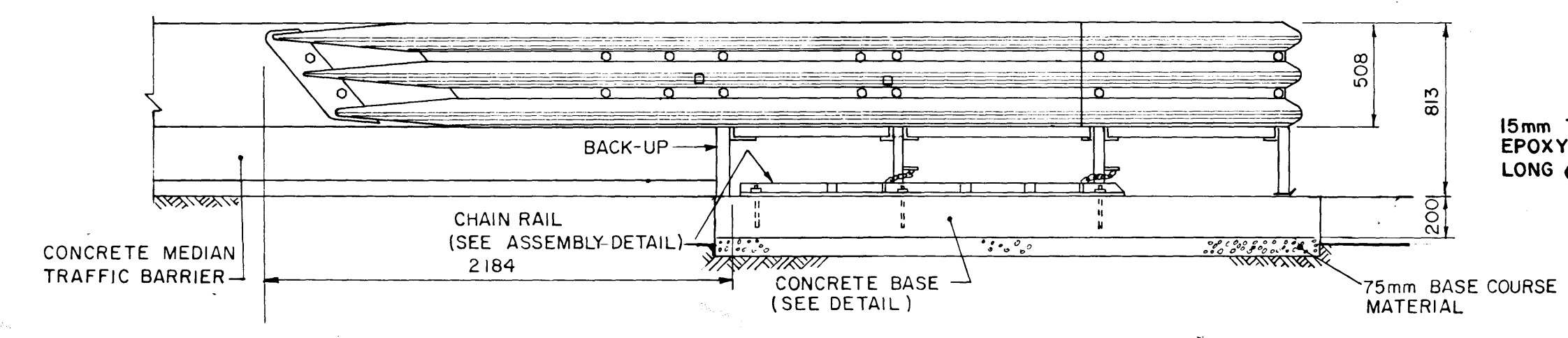
Nº OF BAYS	LENGTH (m)
1	2.069
2	2.993
3	3.897
4	4.812
5	5.726

Nº OF BAYS	LENGTH (m)
1	0.864
2	1.788
3	2.692
4	3.607
5	4.521

UNIT	WIDTH (m)
200200	0.610
206206	0.762
300300	0.914

UNIT	WIDTH (m)
200200	0.686
206206	0.838
300300	0.991

- NOTES:
- 1) USE CHAIN RAILS AS TEMPLATE TO LOCATE CONCRETE ANCHOR BOLTS
 - 2) G.R.E.A.T. BARRIER TO BE INSTALLED IN ACCORDANCE WITH THESE DRAWINGS AND THE MANUFACTURERS CURRENT ASSEMBLY DRAWINGS
 - 3) REINFORCING STEEL USED IN THE CONCRETE BASE SHALL BE EPOXY COATED

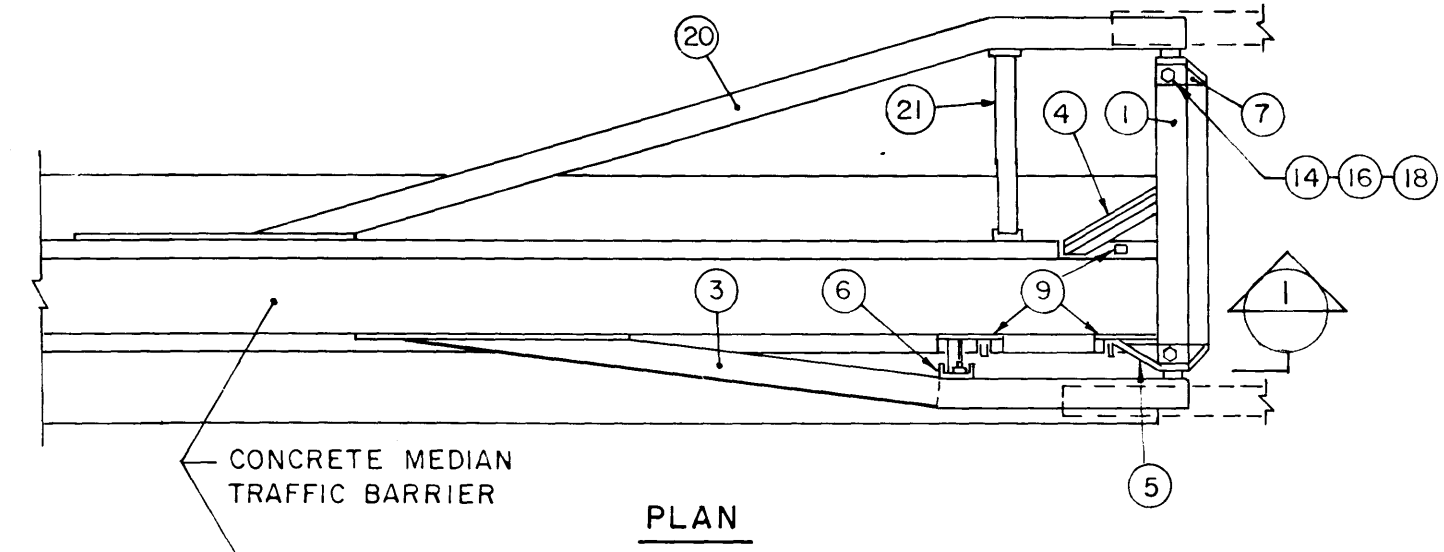


ELEVATION
GENERAL ARRANGEMENT OF G.R.E.A.T. BARRIER (2 BAY UNIT SHOWN)
AT CONCRETE MEDIUM TRAFFIC BARRIER

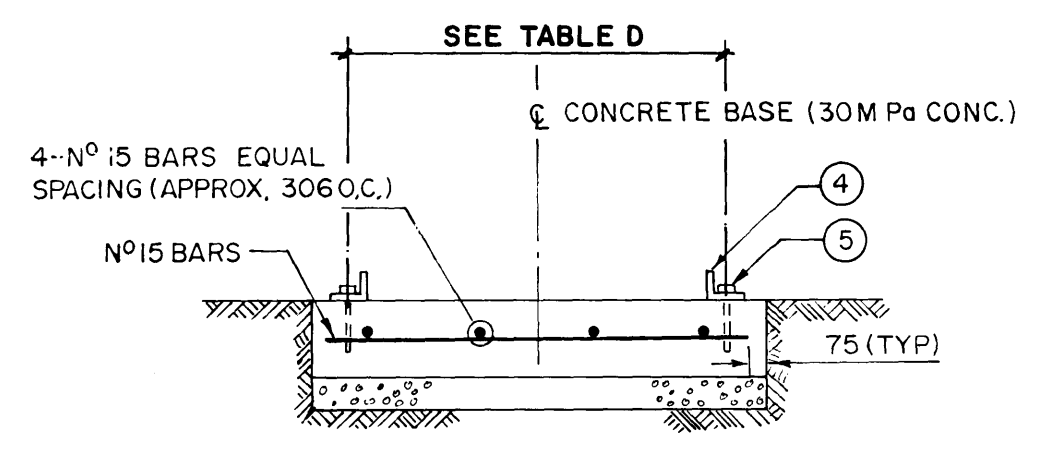
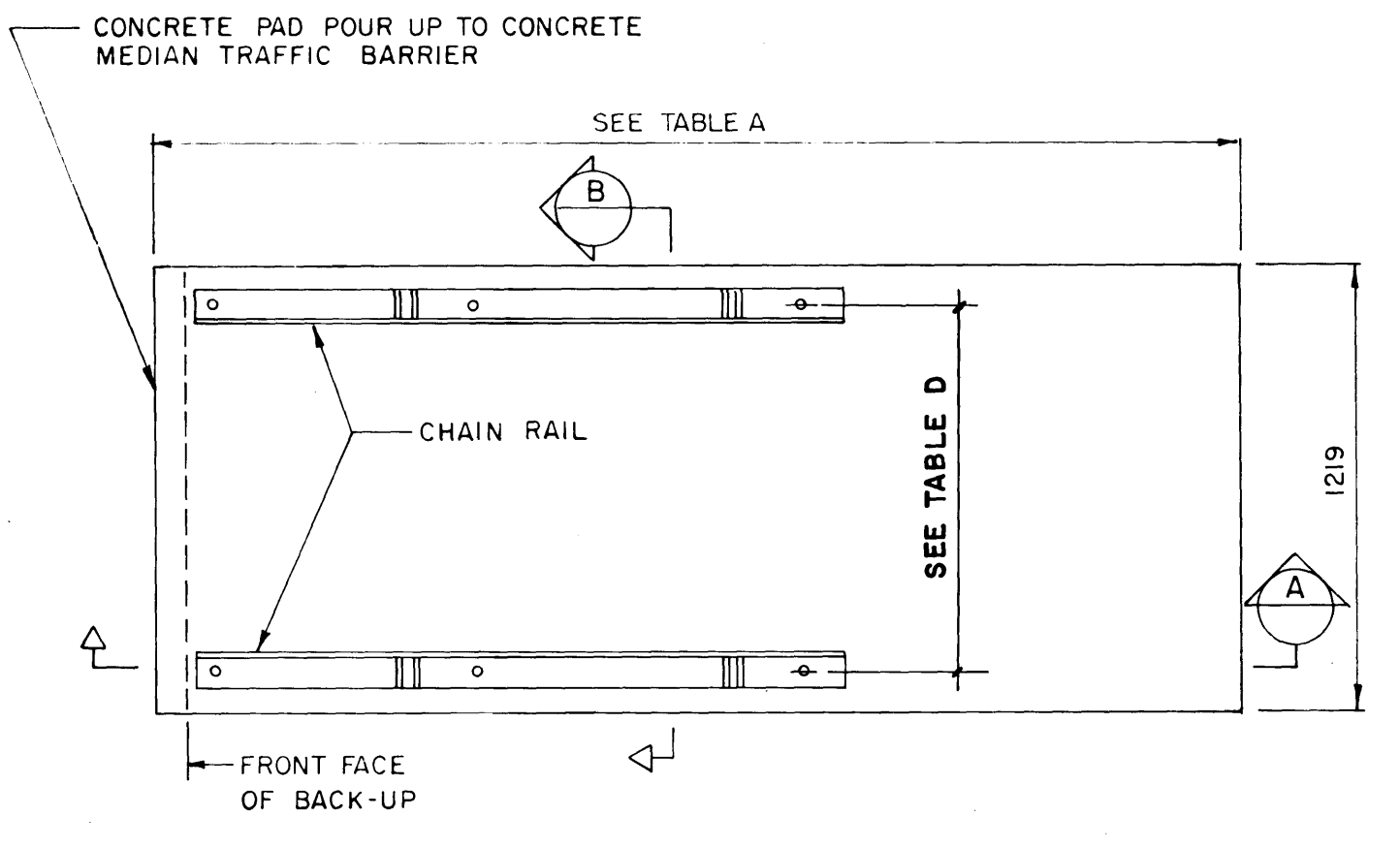
SCALE 1:25

ITEM	STOCK NO.	DESCRIPTION	ITEM	STOCK NO.	DESCRIPTION	ITEM	IMPERIAL DESCRIPTION
1	29-03-211	BACKUP	11	27-01-381	1.905cm x 5080cm H.H. BOLT	9	3/4" x 4 3/4" CONCRETE ANCHOR BOLT
2	27-52-111	SIDE PANEL	12	27-01-641	1.905cm x 3175cm H.H. BOLT	10	3/4" FLUSH ANCHOR
3	27-52-241	TRANSITION PANEL	13	27-01-331	0.952cm x 11.430cm H.H. BOLT	11	3/4" x 2" H.H. BOLT
4	27-52-191	BACKUP ATTACHMENT BRACKET (RIGHT)	14	27-01-221	0.952cm x 2.540cm H.H. BOLT	12	3/4" x 1 1/4" H.H. BOLT
5	27-52-201	BACKUP ATTACHMENT BRACKET (LEFT)	15	27-04-091	1.905cm H.H. NUT	13	3/8" x 4 1/2" H.H. BOLT
6	27-52-271	SUPPORT BRACKET	16	27-04-031	0.952cm H.H. NUT	14	3/8" x 1" H.H. BOLT
7	27-52-591	CARTRIDGE SUPPORT BRACKET	17	27-08-081	1.905cm FLAT WASHER	15	3/4" H.H. NUT
8	27-52-611	CLAMPING BAR	18	27-08-021	0.952cm FLAT WASHER	16	3/2" H.H. NUT
9	27-01-261	1095cm x 12.065cm CONC ANCHOR BOLT	19	27-08-201	1.095cm LOCK WASHER	17	3/4" FLAT WASHER
10	27-01-661	1095cm FLUSH ANCHOR	20	(SPECIAL)	TRANSITION PANEL (MODIFIED)	18	3/8" FLAT WASHER
			21	(SPECIAL)	CUSTOM SUPPORT BRACKET	19	3/4" LOCK WASHER

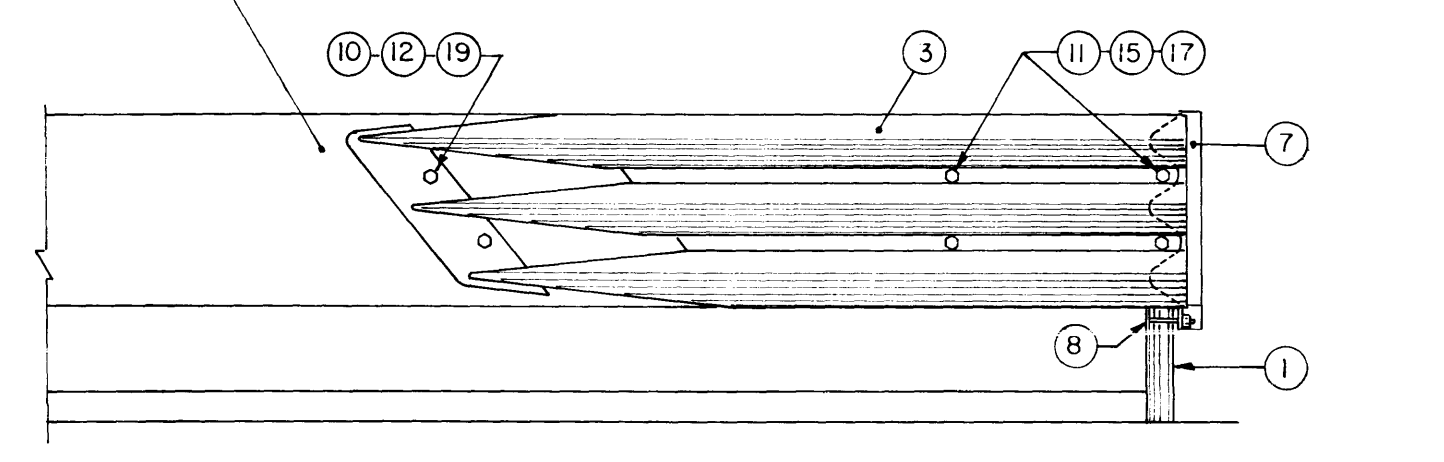
ITEM	STOCK NO.	DESCRIPTION	IMPERIAL DESCRIPTION
1	27-52-021	PROOF COIL CHAIN (127cm (9) LINKS)	1/2"
2	27-02-101	1.588cm x 508cm CLEVIS PIN (GALV)	5/8" x 2"
3	27-02-111	PIN KEEPER SPRING	
4	27-22-032	CHAIN RAIL	
5	27-01-271	1.905cm x 15.875cm CONC. ANCHOR BOLT C/W NUT & WASHER (STAINLESS STEEL)	3/4" x 6 1/4"



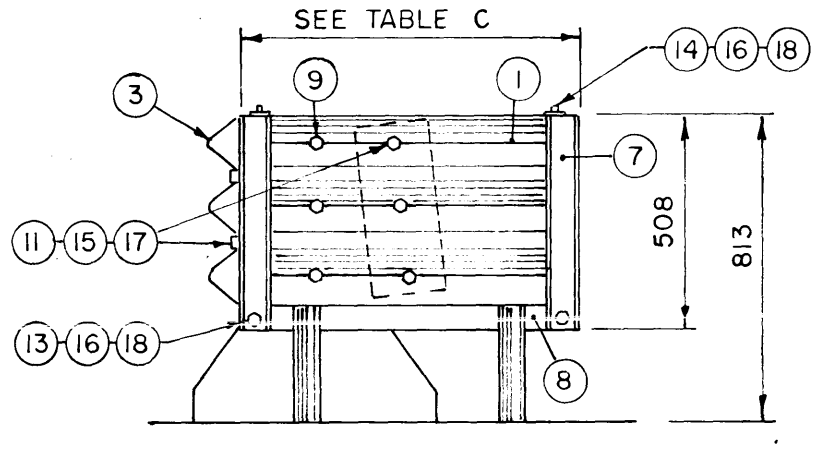
SECTION I
N.T.S.



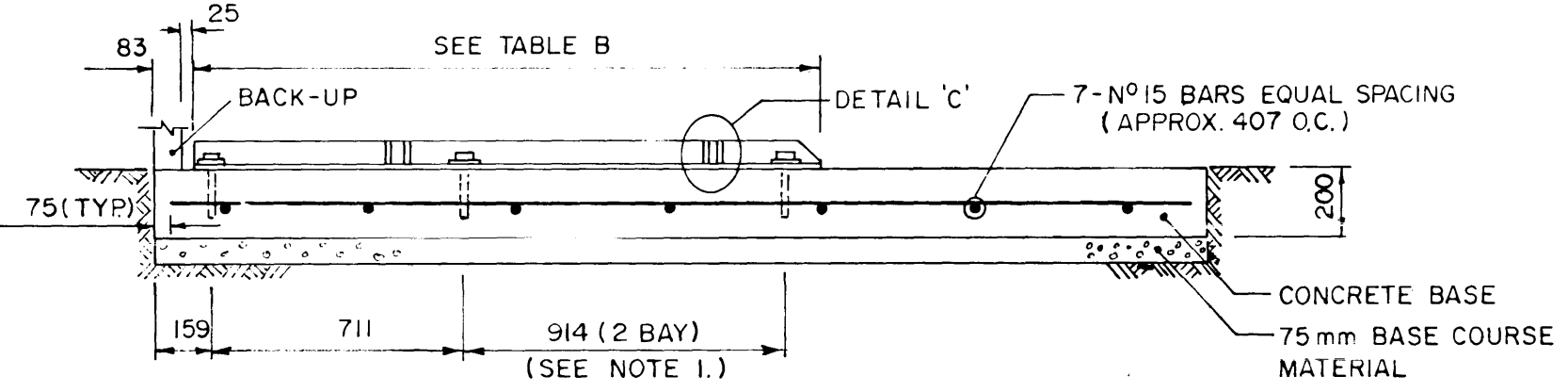
SECTION B
N.T.S.



SIDE VIEW



FRONT VIEW



SECTION A
N.T.S.

CONCRETE BASE AND CHAIN RAIL ASSEMBLY DETAIL (2 BAY UNIT SHOWN)

SCALE 1:20

DETAIL OF BACKUP ASSEMBLY AT
CONCRETE MEDIUM TRAFFIC BARRIER
SCALE 1:20

REID, CROWTHER & PARTNERS LIMITED
WINNIPEG

AS CONSTRUCTED

SIG. *[Signature]* DATE: 85-12-18

METRIC
WHOLE NUMBERS INDICATE MILLIMETRES
DECIMALIZED NUMBERS INDICATE METRES

NO.	REVISIONS	DATE	APP.	ENGINEER'S SEAL
1	AS CONSTRUCTED	NOV 1985	<i>[Signature]</i>	

STREETS & TRAFFIC BRANCH	
DESIGNED BY: N.A.	DRAWN BY: HN
CHECKED BY: KJG ZVK	DATE: 84-01-13
APPROVED BY: <i>[Signature]</i>	DATE: 84 03 28

THE CITY OF WINNIPEG

WORKS & OPERATIONS
DIVISION
STREETS & TRANSPORTATION
DEPARTMENT

FOR THIS PROJECT:
CONCRETE MEDIUM BARRIER BACKUP USED:
3-BAY, 0.610m WIDE (BI-DIRECTIONAL TRAFFIC)

RUE ARCHIBALD UNDERPASS

GUARDRAIL ENERGY ABSORBING TERMINAL (G.R.E.A.T.) BARRIER FOR USE WITH CONCRETE MEDIUM TRAFFIC BARRIER

SHEET 1 OF 2

AUTHORIZED BY: *[Signature]* DATE: 1985-04-30

ACCEPTED BY: *[Signature]* DATE: 1985-04-30

SCALE: AS SHOWN DRAWING NO: U205-85-14

B-5539-14